



the LED lighting source™
 COMMERCIAL • LANDSCAPE • ARCHITECTURAL • RESIDENTIAL

15 Brownridge Rd. Unit 6, Halton Hills, ON L7G 0C6 • 905-487-8192 • 1-877-LED-2DAY • SGIlighting.com

Project: _____

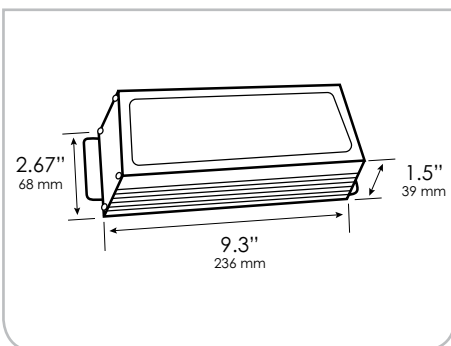
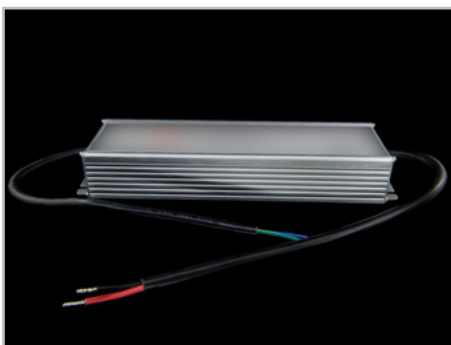
Client: _____

Part #: POWER – 21 – 24VDC – 96D – 347VAC

Date: / / Qty: _____

SPECIFICATION

LED Power • 96 Watt 24VDC Dimmable 347VAC



AC Input Voltage	180-528V AC 47-63 Hz		
DC Output Voltage	24VDC		
Input Current Full Load	0.38A (347 VAC)		
Max Load	96W		
Output Current Full Load	4A		
Efficiency	91.00%		
IP Rating	IP67		
Dimension Width, Length, Height	W	2.67"	68 mm
	L	9.3"	236 mm
	H	1.5"	39 mm
Weight	2.6 lbs	41.6 oz	

Features

- Class 2 Dimmable LED DC Transformer
- Encapsulated transformer
- UL8750, CAN/CSA C22.2 No. 250.0-08
- Three in one dimming function (0-10VDC or PWM signal or Resistance)
- Suitable for dry, damp, or wet locations
- 5 year Warranty



the LED lighting source™
COMMERCIAL • LANDSCAPE • ARCHITECTURAL • RESIDENTIAL

15 Brownridge Rd. Unit 6, Halton Hills, ON L7G 0C6 • 905-487-8192 • 1-877-LED-2DAY • SGiLighting.com

Project: _____

Client: _____

Part #: POWER-21-24VDC-96D-347VAC

Date: / / Qty: _____

INSTALLATION

LED Power • 96 Watt 24VDC Dimmable 347VAC

