

LED Power

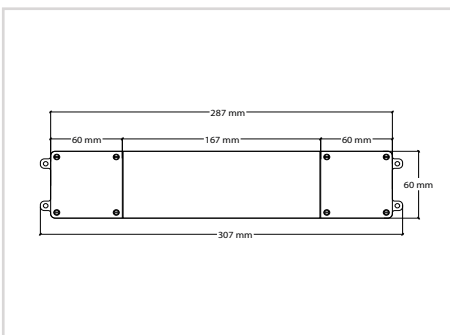
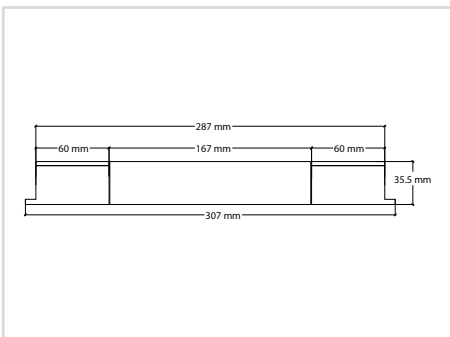
96 Watt 24VDC 0-10V Dimmable



0-10V Dimmable - 96 Watt 24VDC



LED Power • 96 Watt 24VDC • 0-10V Dimmable



Dimensions in millimeters.

AC Input Voltage	120 – 277V AC 50 – 60 Hz	
DC Output Voltage	24V DC	
Input Current Full Load	0.96 A	
Max Load	96W	
Output Current Full Load	4.1 A	
Efficiency	>90%	
IP Rating	IP66	
Dimension Width, Length, Height	W L H	2.4" 60.9 mm 12.1" 307 mm 1.4" 35.6 mm
Weight	1.8 lbs 28.8 oz	
Ambient Temperature	-40°C to +50°C -40°F to 122°F	

Features

- Class 2 Dimmable (0-10V) LED DC Electronic Driver
- Encapsulated in black powder coated NEMA3 enclosure
- Enclosure temperature will not exceed 70 Deg C @ 40 Deg C ambient
- Built in junction boxes with 3 knockouts sized for 3/4" screw cable connectors
- Controlled with 0.10V dimmer up to 1%
- Short circuit and over-temperature protection
- ULC Listed
- CSA Approved
- UL Standards 8750 Class 2
- Power factor 0.95
- 5 year warranty

Part Number Configuration

POWER	36	24VDC	96ZD	ENC
--------------	-----------	--------------	-------------	------------



LED Power • 96 Watt 24VDC • 0-10V Dimmable

