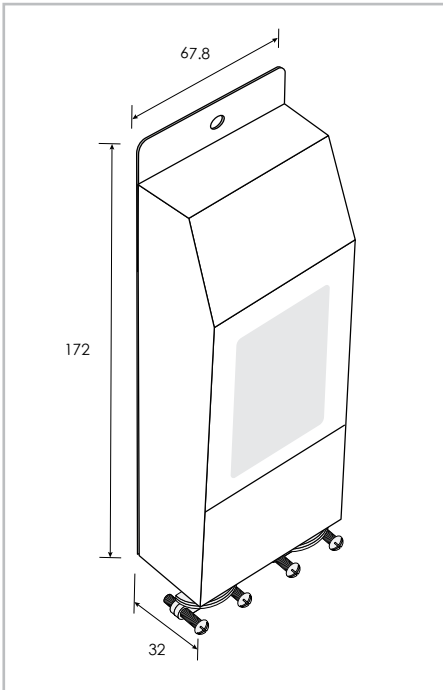


## LED Power • 96 Watt 24VDC ELV Dimmable



Dimensions in millimeters.

## Part Number Configuration

POWER

36

24VDC

96ED

ENC

<b>AC Input Voltage</b>	120V 60 Hz		
<b>DC Output Voltage</b>	24V DC		
<b>Input Current Full Load</b>	0.85 A		
<b>Max Load</b>	96W		
<b>Output Current Full Load</b>	4.16 A		
<b>Efficiency</b>	>90%		
<b>IP Rating</b>	IP66		
<b>Dimension</b> Width, Length, Height	W	2.67"	67.8 mm
	L	6.77"	172 mm
	H	1.26"	32 mm
<b>Weight</b>	1.06 lbs 17 oz		
<b>Ambient Temperature</b>	-40°C to +50°C		-40°F to 122°F

## Features

- Class 2 Dimmable LED DC Electronic Driver
- Encapsulated in black powder coated NEMA3 enclosure
- Enclosure temperature will not exceed 70 Deg C @ 40 Deg C ambient
- Removable wiring compartment with 2 knockouts sized for 3/4" screw cable connectors
- Removable cover for the wiring compartment is secured in place by a screw
- Controlled with electronic low voltage dimmer up to 1%
- ULC Listed
- CSA Approved
- UL Standards 8750 Class 2
- Power factor 0.95
- 5 year warranty
- Phase dimmable down to 1% with leading edge TRIAC MLV Dimmer
- Removable wiring compartment with multiple 1/2" knockouts
- ULC Listed – CSA Approved – UL 8750, CSA C22.2 No. 250 13-14

