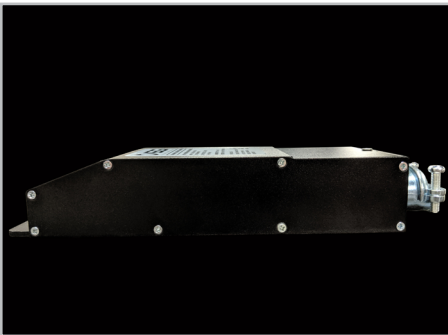
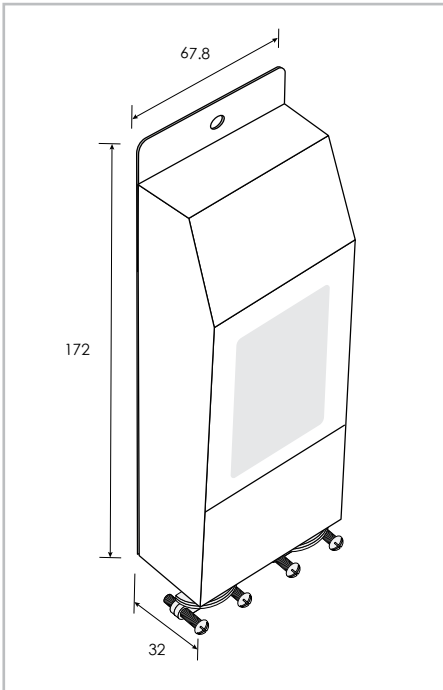


LED Power • 60 Watt 24VDC ELV Dimmable



AC Input Voltage	120V 60 Hz		
DC Output Voltage	24V DC		
Input Current Full Load	0.61 A		
Max Load	60W		
Output Current Full Load	2.63 A		
Efficiency	>90%		
IP Rating	IP66		
Dimension Width, Length, Height	W L H	2.67" 6.77" 1.26"	67.8 mm 172 mm 32 mm
Weight	1.06 lbs 17 oz		
Max Ambient Temperature	-40°C to +65°C		-40°F to 122°F



Dimensions in millimeters.

Part Number Configuration

POWER

36

24VDC

60ED

ENC

Features

- Class 2 Dimmable LED DC Electronic Driver
- Phase dimmable down to 1% with leading edge TRIAC MLV Dimmer
- Encapsulated in black powder coated NEMA3 enclosure
- Removable wiring compartment with multiple 1/2" knockouts
- Power factor 0.95
- ULC Listed – CSA Approved – UL 8750, CSA C22.2 No. 250 13-14
- 5 year warranty

