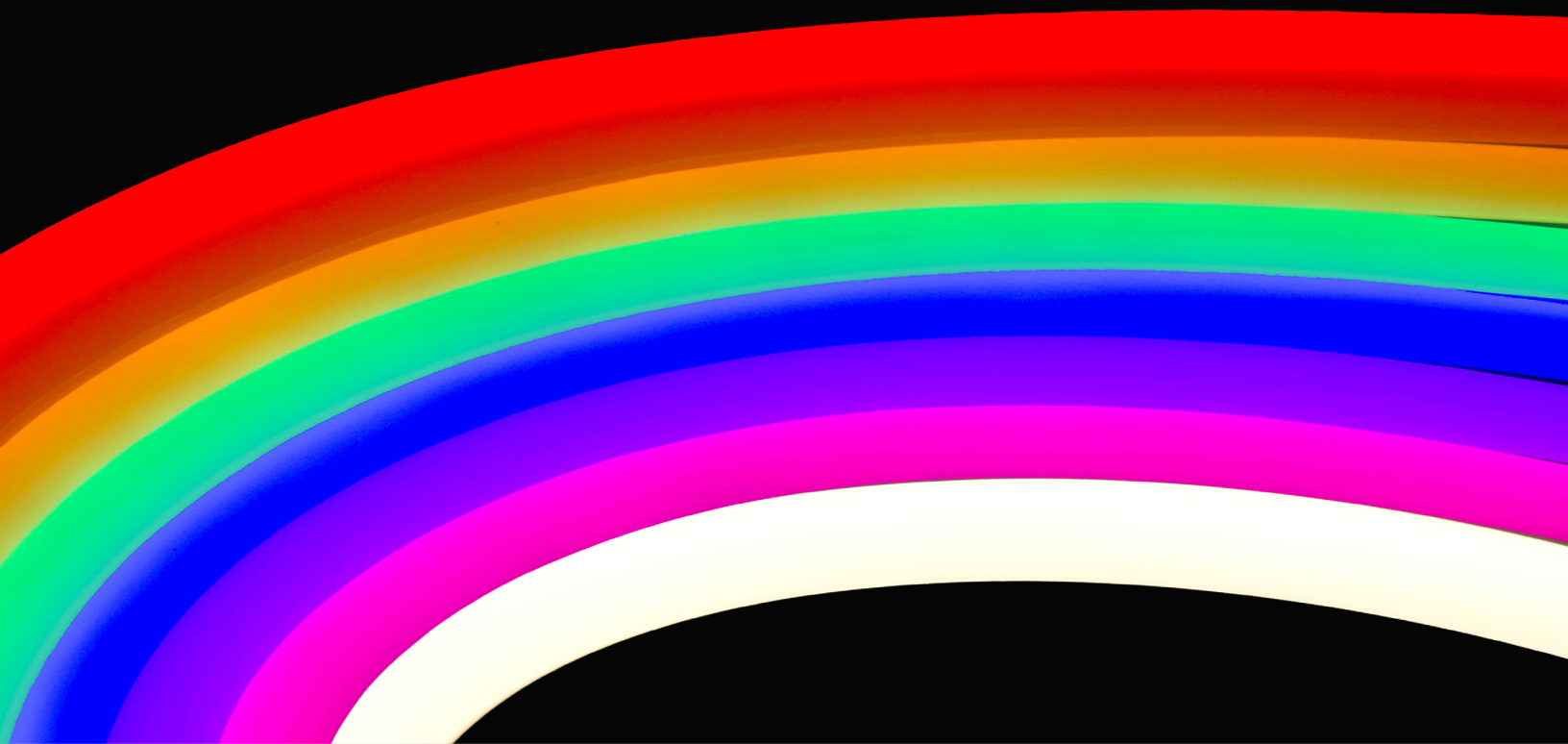


# LED Neon Light

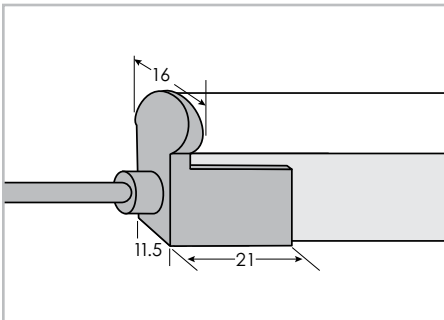
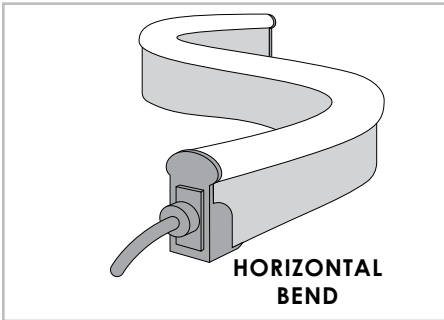
## Round 4.57 Watt RGBW IP68



Round 4.57 Watt RGBW IP68



# LED Neon Light • Round 4.57 Watt RGBW IP68



Standard Injection Molded Connector shown.  
Dimensions in millimeters.

<b>Length</b>	Custom Length <sup>1</sup> cuttable every 3.25"		
<b>Operating Voltage (ov)</b>	24V DC		
<b>Finish (fin)</b>	WHT White		
<b>Light Colour (lc) Correlated Colour Temperature (CCT)</b>	RGBW2700K	Colour Changing with 2700K	
	RGBW3000K	Colour Changing with 3000K	
	RGBW4000K	Colour Changing with 4000K	
	RGBW5000K	Colour Changing with 5000K	
	Also available in Whites and Single Colours. Please see individual product spec sheets		
<b>Bend (bnd)</b>	HB	Horizontal Bend	
<b>Connection (con)<sup>1</sup></b>	<b>Injection molded:</b> IN_E-30-OUT_E-30 IN_E-30-OUT_ENDCAP IN_SL-30-OUT_SR-30 IN_SL-30-OUT_ENDCAP IN_SR-30-OUT_SL-30 IN_SR-30-OUT_ENDCAP IN_B-30-OUT_B-30 IN_AB-CST-OUT_ENDCAP		
<b>Beam Angle (ba) Degrees</b>	270°		
<b>Light Output Lumens</b>	RGBW4000K	302.9	per foot
<b>IP Rating</b>	IP68 <sup>2</sup>		
<b>Dimensions with snap connector Width, Height, Length</b>	W	0.84"	21.5 mm
	H	1.41"	36 mm
	L	Specify maximum length in inches <sup>1</sup>	
<b>Watts</b>	4.57 Watts per foot		
<b>Input Voltage</b>	AC 100V – 240V, 277V external transformer		
<b>Dimmable</b>	Yes With dimmable transformer MLV, ELV, Phase or 0-10V. Please specify at time of order.		
<b>Operating Temperature</b>	-25°C to +50°C -13°F to 122°F		
<b>Life Lumen Maintenance</b>	50,000 hours		

See connections page for alternative connector types and dimensions.

## Part Number Configuration

<b>NEON</b>	<b>RND_4.57W-IP68<sup>2</sup></b>	<b>HB</b>	<b>24VDC</b>	<b>WHT</b>	
-------------	-----------------------------------	-----------	--------------	------------	--

Category	Family	Bend (bnd)	Operating Voltage (ov)	Finish (fin)	Light Colour (lc)	Connection (con)
NEON	RND_4.57W-IP68 <sup>2</sup>	HB Horizontal Bend	24VDC	WHT	RGBW2700K RGBW3000K RGBW4000K RGBW5000K	<b>Injection Molded:</b> IN_E-30-OUT_E-30 IN_E-30-OUT_ENDCAP IN_SL-30-OUT_SR-30 IN_SL-30-OUT_ENDCAP IN_SR-30-OUT_SL-30 IN_SR-30-OUT_ENDCAP IN_B-30-OUT_B-30 IN_B-30-OUT_ENDCAP



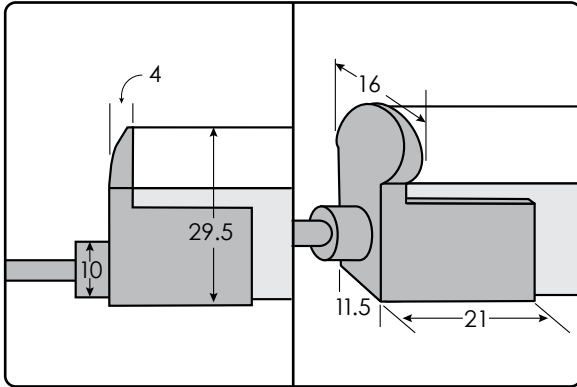
<sup>1</sup> See Connections page(s) for more details.

<sup>2</sup> SPECIAL ORDER: Please confirm availability. Allow for 6 - 8 weeks lead time.

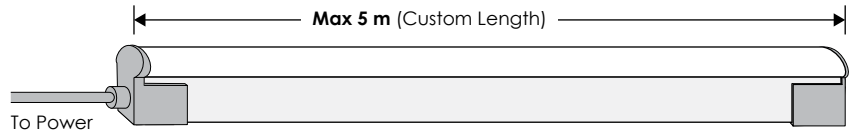


# LED Neon Light • Round 4.57 Watt RGBW IP68 Injection Molded Options

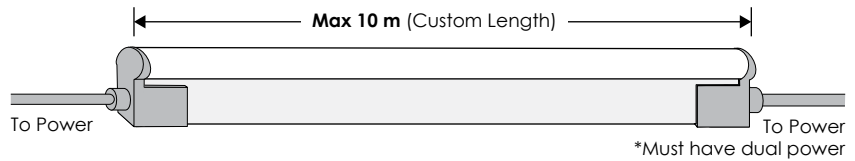
## End Connector



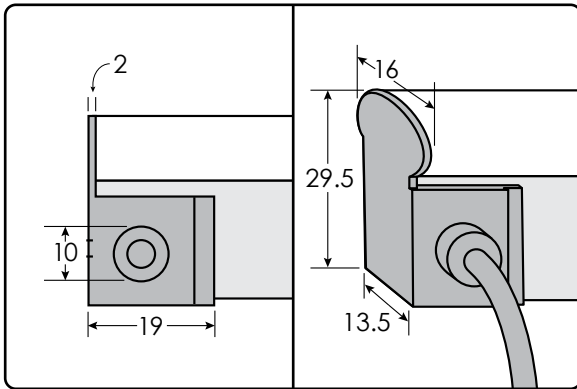
### IN\_E-30-OUT\_ENDCAP



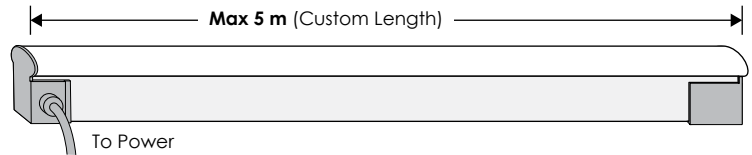
### IN\_E-30-OUT\_E-30



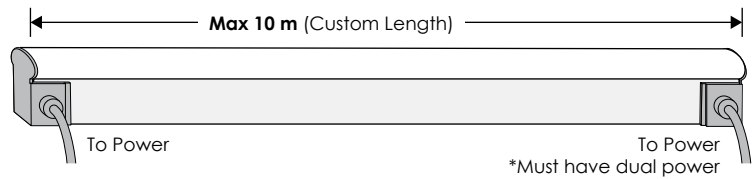
## Side Connector



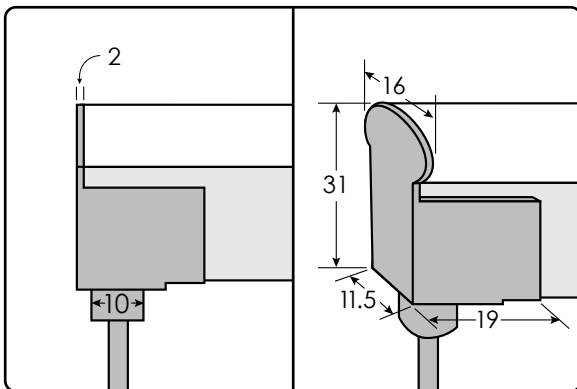
### IN\_SL-30-OUT\_ENDCAP / IN\_SR-30-OUT\_ENDCAP



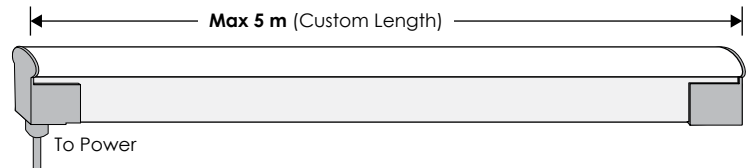
### IN\_SL-30-OUT\_SR-30 / IN\_SR-30-OUT\_SL-30



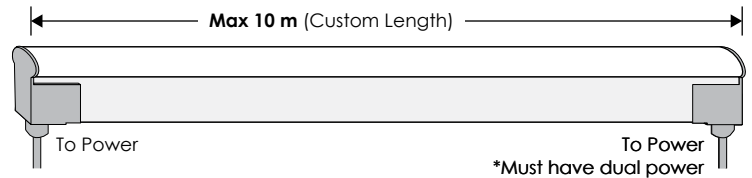
## Bottom Connector



### IN\_B-30-OUT\_ENDCAP



### IN\_B-30-OUT\_B-30

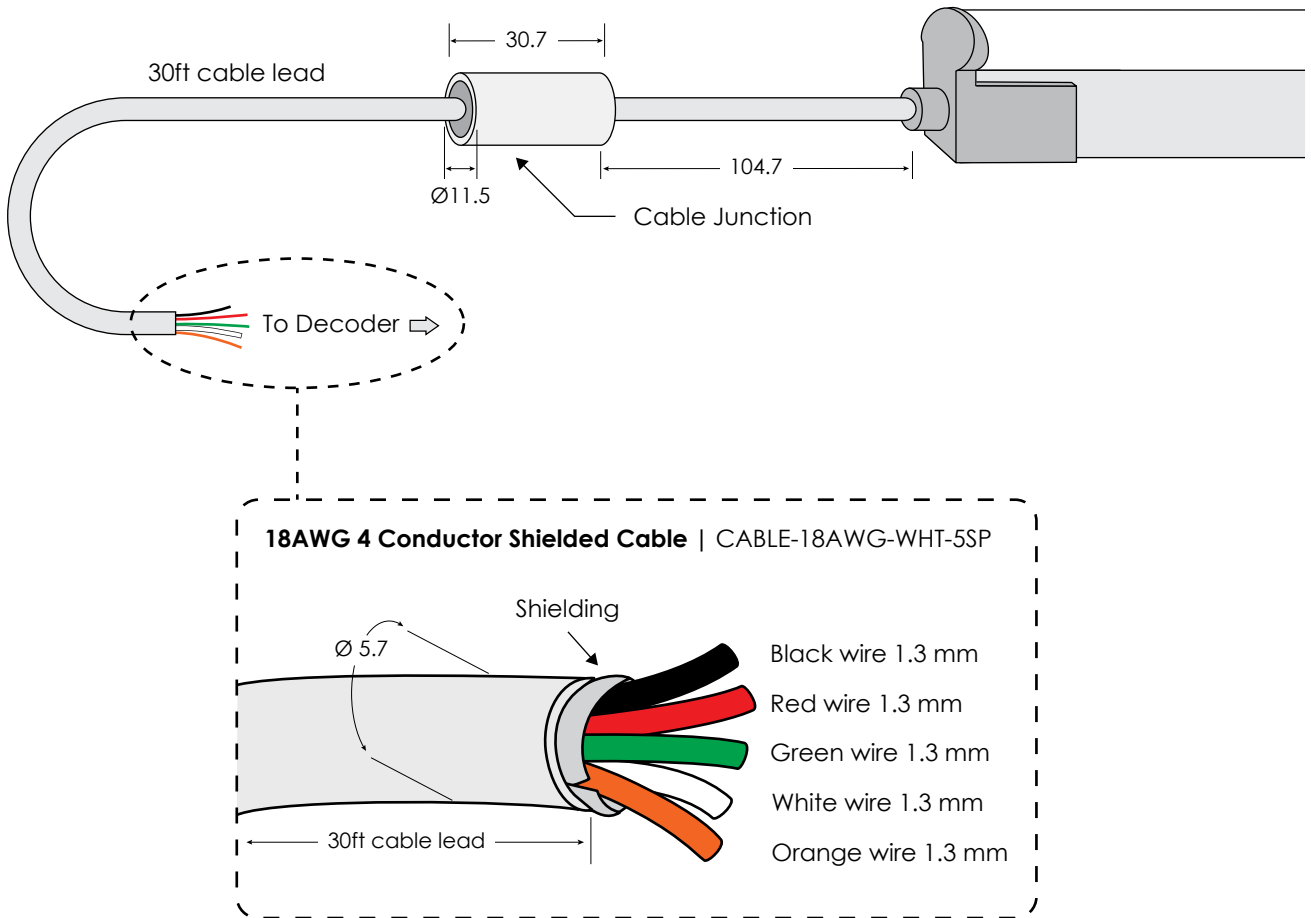




# LED Neon Light • Round 4.57 Watt RGBW IP68 Cable Options for Injection Molded Connection

## Hardwire

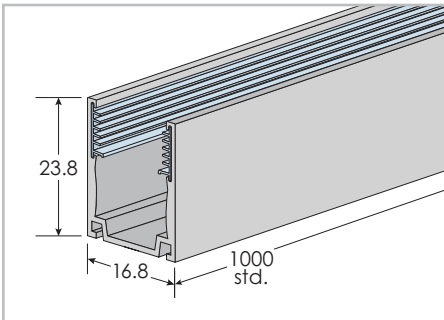
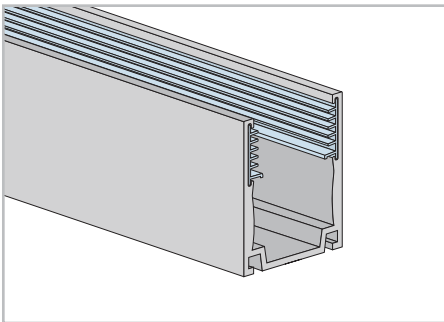
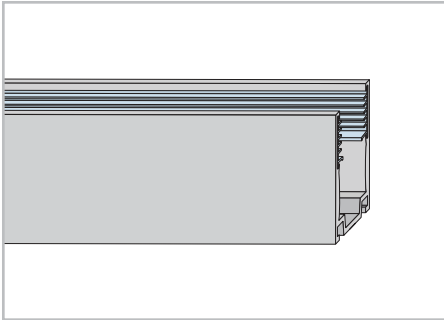
With standard 30ft cable.





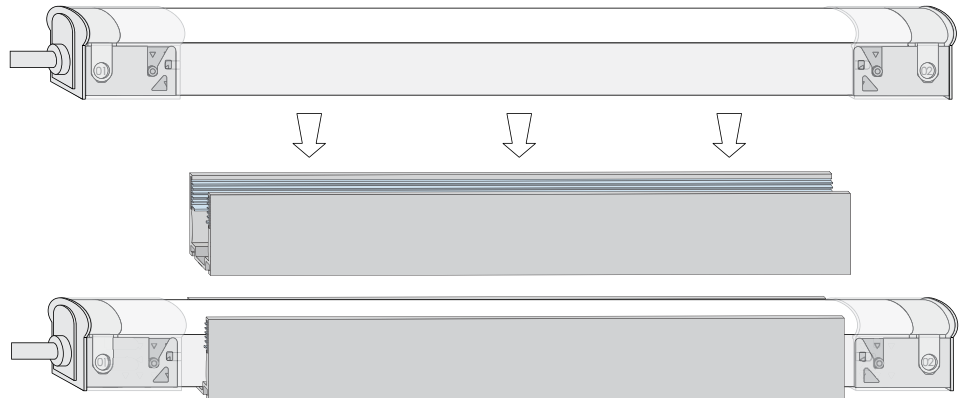


# LED Track • Neon 1724 Self-Locking



Dimensions in millimeters

<b>Finish (fin)</b>	SIL Silver
<b>Lens (ln)</b>	N None
<b>Custom Length</b>	Custom Track lengths available Please specify length in inches Standard length 1 m (39"), maximum 2.5 m (98")
<b>Housing</b>	Aluminum Alloy
<b>Compatible Lights</b>	Flat 4.57W LED Neon Light NEON-FLT_4.57W-HB-ov-fin-lc-con  Round 4.57W LED Neon Light NEON-RND_4.57W-HB-ov-fin-lc-con  Round High Temperature 2.2W LED Neon Light NEON-RNDHT_2.2W-HB-24VDC-WHT-lc-con



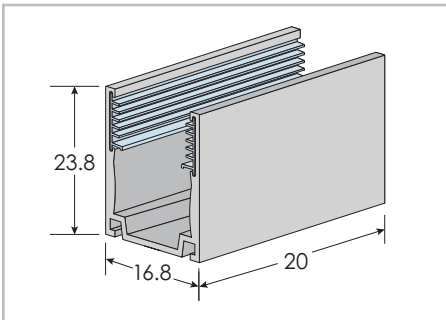
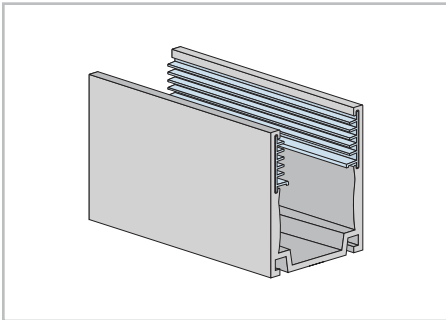
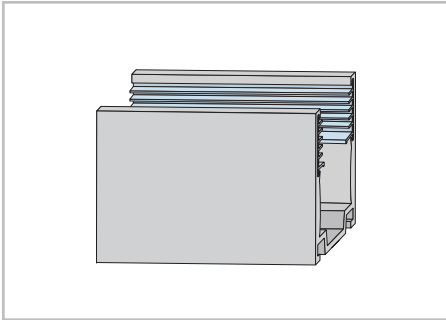
## Part Number Configuration

<b>TRACK</b>	<b>NEON-1724SL3</b>	<b>CST</b>	<b>SIL</b>	<b>N</b>
<b>Category</b>	<b>Family</b>	<b>Length</b>	<b>Finish</b>	<b>Lens</b>
TRACK	NEON-1724SL3	CST Custom Length	SIL Silver	N None



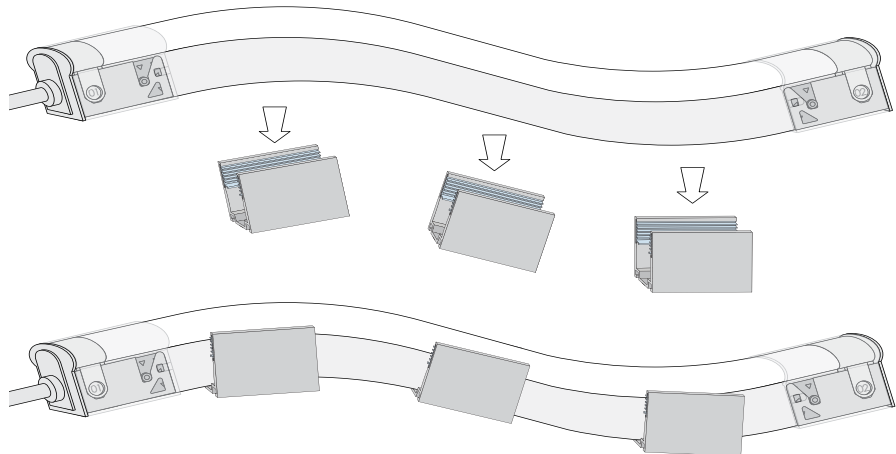


# LED Clip • Neon 1724 Self-Locking



Dimensions in millimeters

<b>Finish (fin)</b>	SIL Silver
<b>Lens (ln)</b>	N None
<b>Length</b>	20 mm 0.78 Inches (Tolerance +/- 0.3mm)
<b>Housing</b>	Aluminum Alloy
<b>Compatible Lights</b>	Flat 4.57W LED Neon Light NEON-FLT_4.57W-HB-ov-fin-lc-con
	Round 4.57W LED Neon Light NEON-RND_4.57W-HB-ov-fin-lc-con
	Round High Temperature 2.2W LED Neon Light NEON-RNDHT_2.2W-HB-24VDC-WHT-lc-con



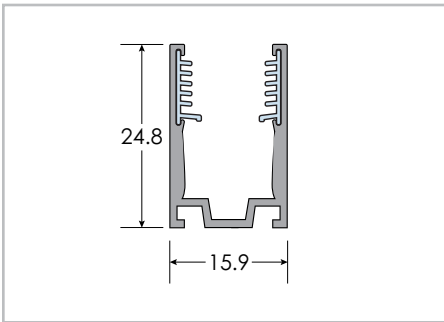
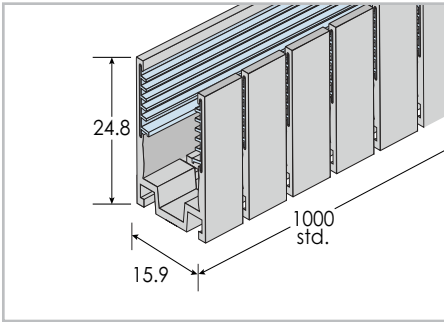
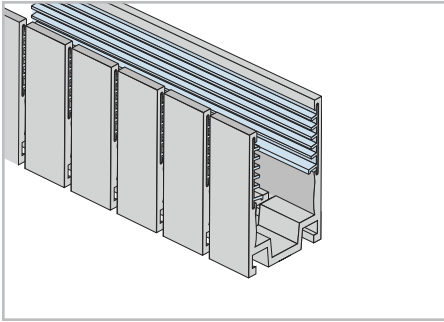
## Part Number Configuration

<b>CLIP</b>	<b>NEON-1724SL3</b>	<b>20MM</b>	<b>SIL</b>	<b>N</b>
<b>Category</b>	<b>Family</b>	<b>Length</b>	<b>Finish</b>	<b>Lens</b>
<b>CLIP</b>	<b>NEON-1724SL3</b>	<b>20MM</b> 0.78 Inches	<b>SIL</b> Silver	<b>N</b> None



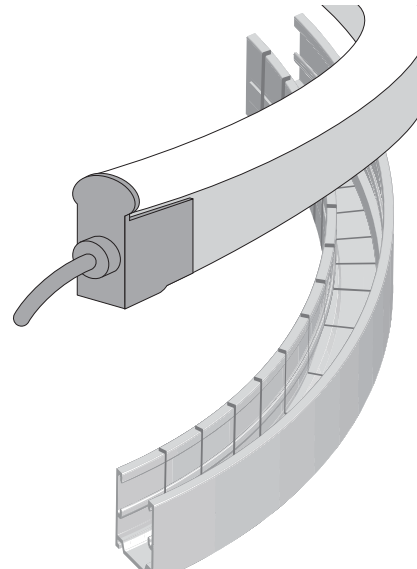


# LED Track • Neon 1724 Self-Locking Horizontal Bend



Dimensions in millimeters

<b>Finish (fin)</b>	SIL Silver
<b>Lens (ln)</b>	N None
<b>Custom Length</b>	Custom Track lengths available Please specify length in inches Standard length 1 m (39"), maximum 2.5 m (98")
<b>Housing</b>	Aluminum Alloy
<b>Compatible Lights</b>	Flat 4.57W LED Neon Light NEON-FLT_4.57W-HB-ov-fin-lc-con  Round 4.57W LED Neon Light NEON-RND_4.57W-HB-ov-fin-lc-con  Round High Temperature 2.2W LED Neon Light NEON-RNDHT_2.2W-HB-24VDC-WHT-lc-con



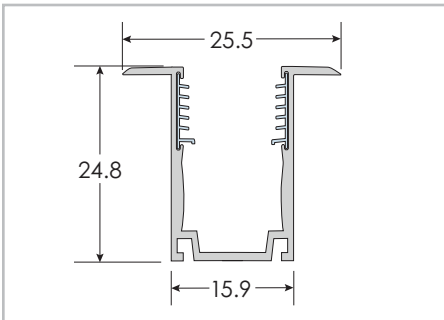
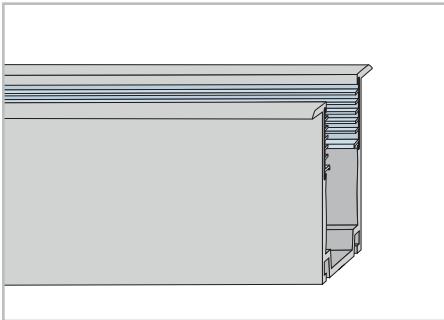
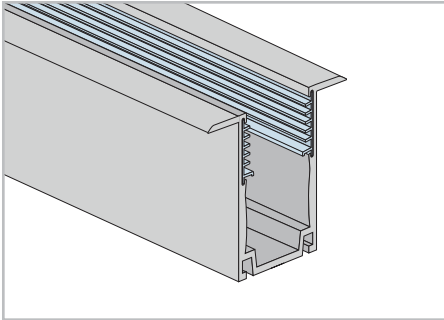
## Part Number Configuration

<b>TRACK</b>	<b>NEON-1724SL3-H_BND</b>	<b>CST</b>	<b>SIL</b>	<b>N</b>
<b>Category</b>	<b>Family</b>	<b>Length</b>	<b>Finish</b>	<b>Lens</b>
TRACK	NEON-1724SL3-H_BND	CST Custom Length	SIL Silver	N None



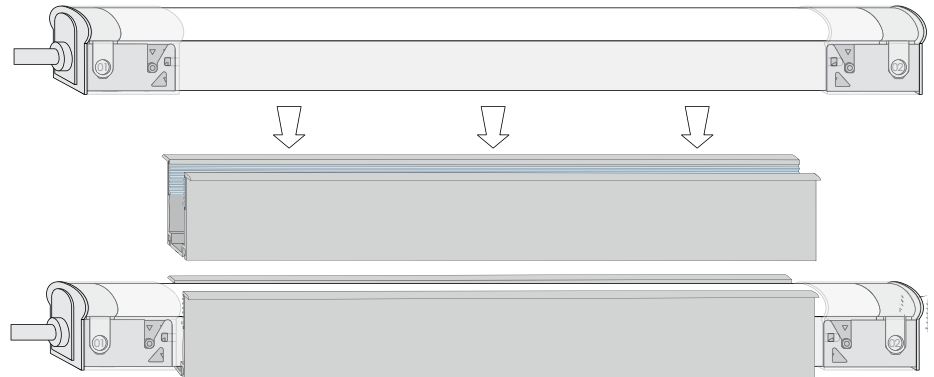


# LED Track • Neon 1724 Self-Locking Recessed



Dimensions in millimeters

<b>Finish (fin)</b>	SIL Silver
<b>Lens (ln)</b>	N None
<b>Custom Length</b>	Custom Track lengths available Please specify length in inches Standard length 1 m (39"), maximum 2.5 m (98")
<b>Housing</b>	Aluminum Alloy
<b>Compatible Lights</b>	Flat 4.57W LED Neon Light NEON-FLT_4.57W-HB-ov-fin-lc-con  Round 4.57W LED Neon Light NEON-RND_4.57W-HB-ov-fin-lc-con  Round High Temperature 2.2W LED Neon Light NEON-RNDHT_2.2W-HB-24VDC-WHT-lc-con



## Part Number Configuration

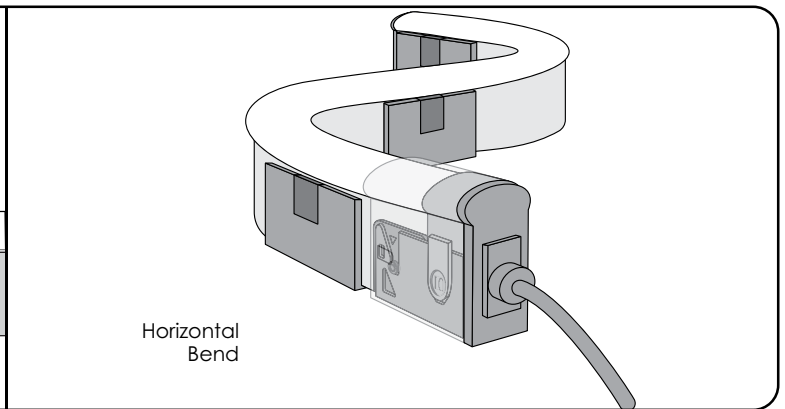
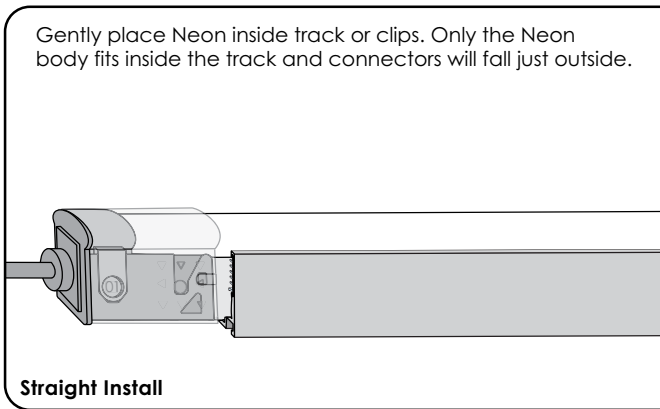
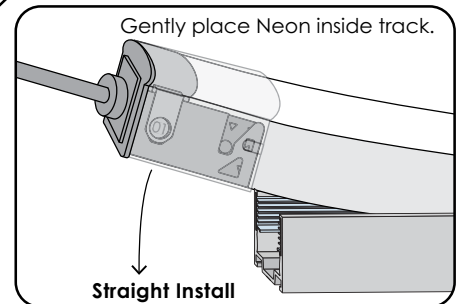
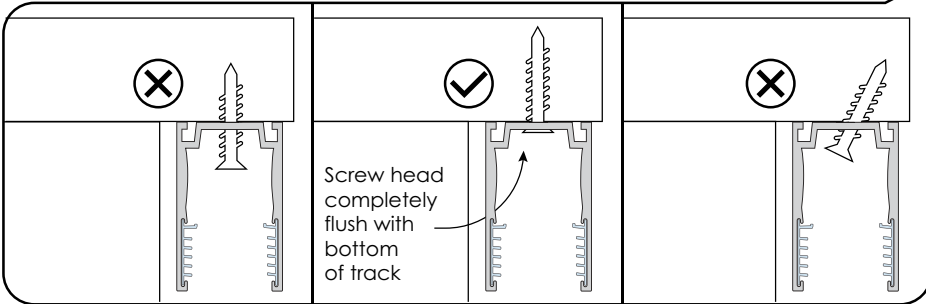
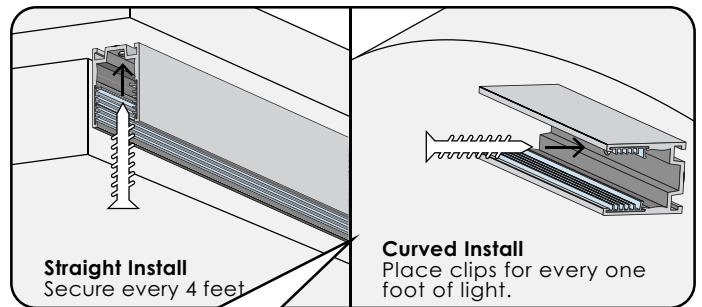
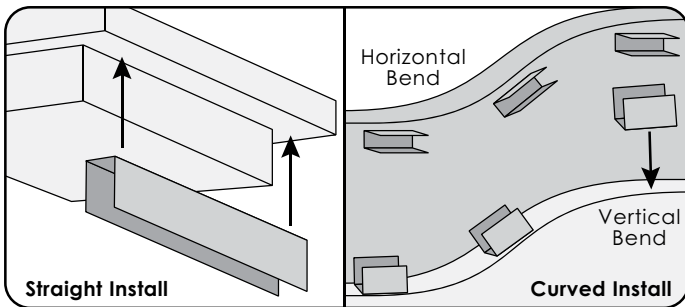
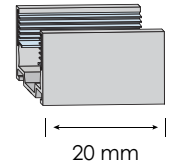
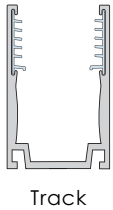
<b>TRACK</b>	<b>NEON-1724SL3-REC</b>	<b>CST</b>	<b>SIL</b>	<b>N</b>
<b>Category</b>	<b>Family</b>	<b>Length</b>	<b>Finish</b>	<b>Lens</b>
TRACK	NEON-1724SL3-REC	CST Custom Length	SIL Silver	N None





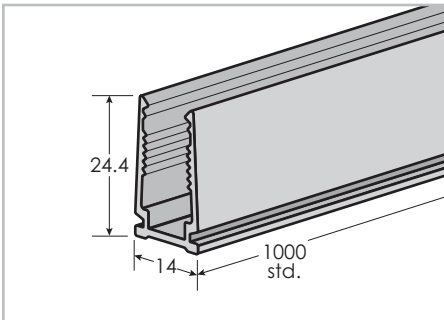
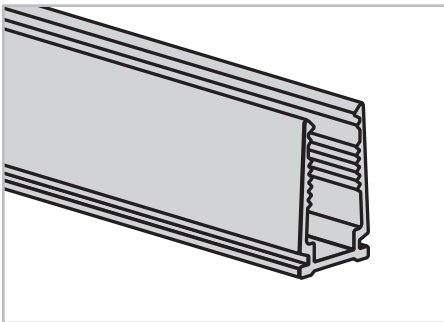
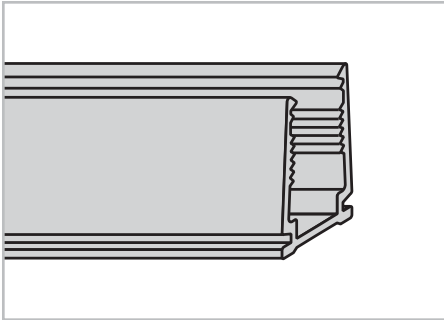
# LED Track/Clip • Neon 1724 Self-Locking Mounting Guide

Mount LED Neon lights in long lengths of track to achieve straight installations  
**OR** multiple clips along a rounded surface for curved installations





# LED Track • Neon 1724 PVC



<b>Finish (fin)</b>	WHT White
<b>Lens (ln)</b>	N None
<b>Custom Length</b>	Custom Track lengths available Please specify length in inches Standard length 1 m (39"), maximum 2 m (78")
<b>Housing</b>	PVC
<b>Compatible Lights</b>	Flat 4.57W LED Neon Light NEON-FLT_4.57W-HB-ov-fin-lc-con  Round 4.57W LED Neon Light NEON-RND_4.57W-HB-ov-fin-lc-con  Round High Temperature 2.2W LED Neon Light NEON-RNDHT_2.2W-HB-24VDC-WHT-lc-con
<b>Installation Note</b>	No self-locking feature Recommended for undermount installations, use silicone to secure light into track.



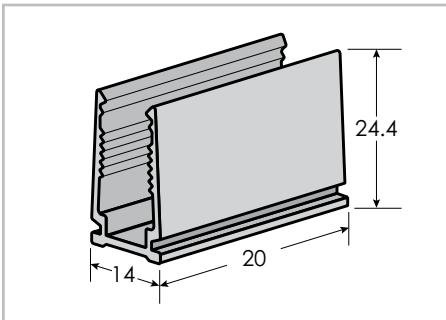
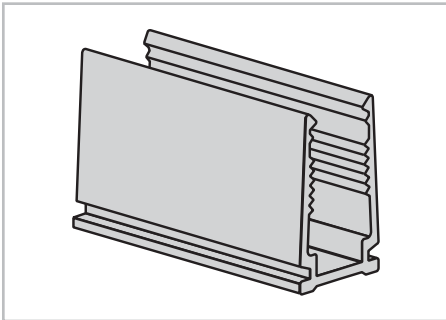
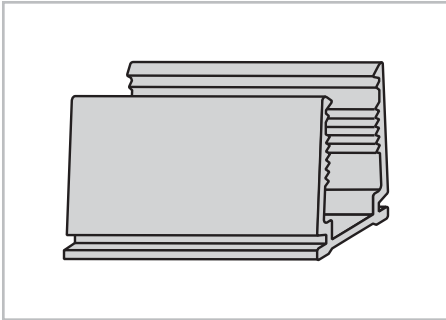
## Part Number Configuration

<b>TRACK</b>	<b>NEON-1724PVC</b>	<b>CST</b>	<b>WHT</b>	<b>N</b>
<b>Category</b>	<b>Family</b>	<b>Length</b>	<b>Finish</b>	<b>Lens</b>
TRACK	NEON-1724PVC	CST Custom Length	WHT White	N None

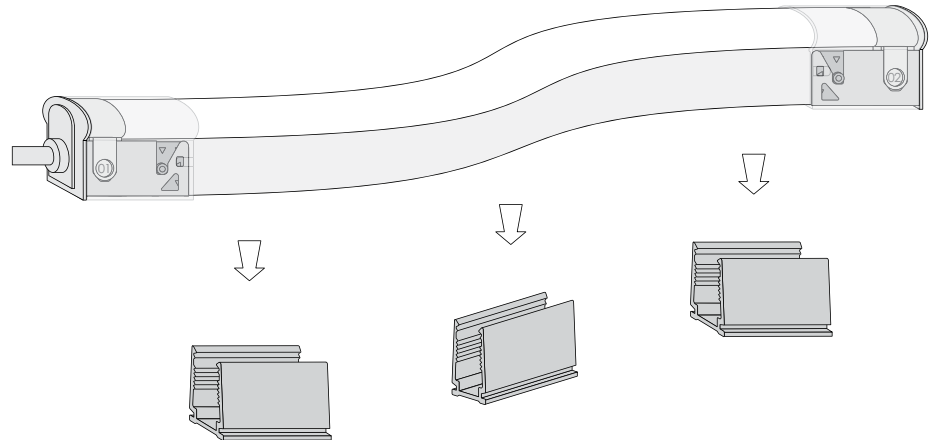




# LED Clip • Neon 1724 PVC



<b>Finish (fin)</b>	WHT White
<b>Lens (ln)</b>	N None
<b>Length</b>	20 mm 0.78 Inches (Tolerance +/- 0.3mm)
<b>Housing</b>	Plastic
<b>Compatible Lights</b>	Flat 4.57W LED Neon Light NEON-FLT_4.57W-HB-ov-fin-lc-con  Round 4.57W LED Neon Light NEON-RND_4.57W-HB-ov-fin-lc-con  Round High Temperature 2.2W LED Neon Light NEON-RNDHT_2.2W-HB-24VDC-WHT-lc-con
<b>Installation Note</b>	No self-locking feature Not recommended for undermount installations



### Part Number Configuration

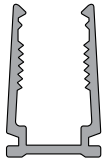
<b>CLIP</b>	<b>NEON-1724PVC</b>	<b>20MM</b>	<b>WHT</b>	<b>N</b>
<b>Category</b>	<b>Family</b>	<b>Length</b>	<b>Finish</b>	<b>Lens</b>
CLIP	NEON-1724PVC	20MM 0.78 Inches	WHT White	N None





# LED Track/Clip • Neon 1724 PVC Mounting Guide

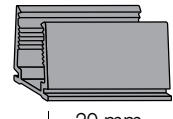
Mount LED Neon lights in long lengths of track to achieve straight installations  
**OR** multiple clips along a rounded surface for curved installations



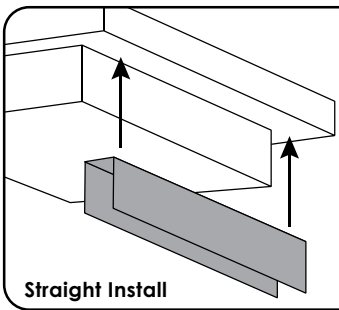
Track



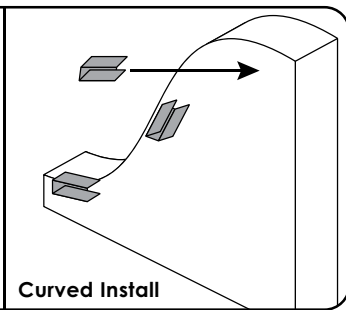
1 meter (2 meter length available as special order)  
(field cuttable to custom lengths)



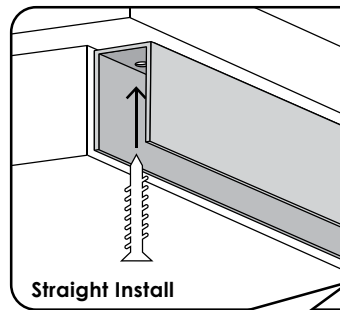
20 mm



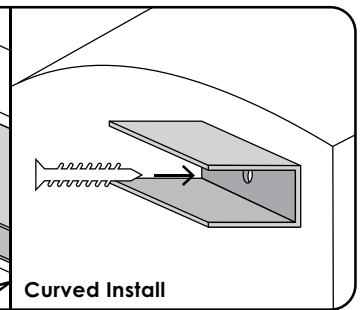
Straight Install



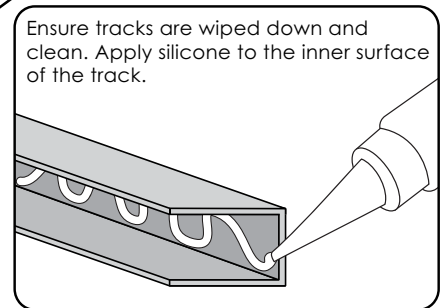
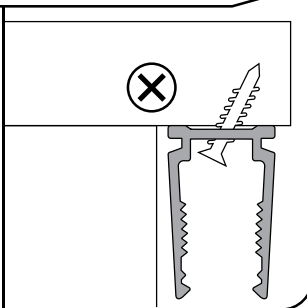
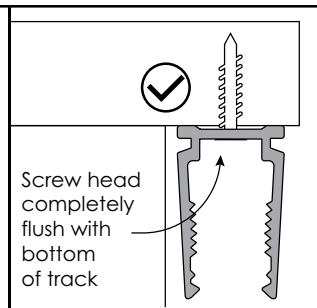
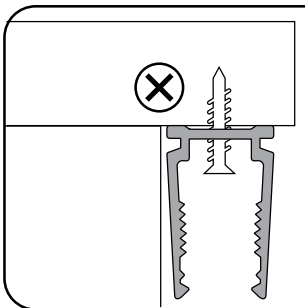
Curved Install



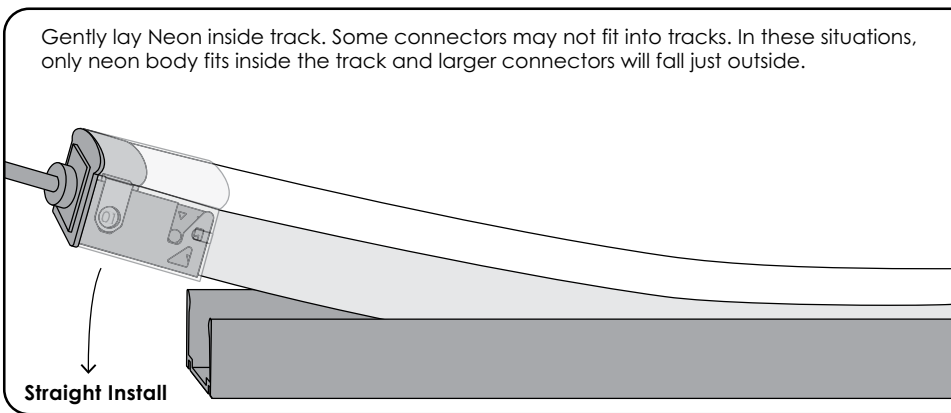
Straight Install



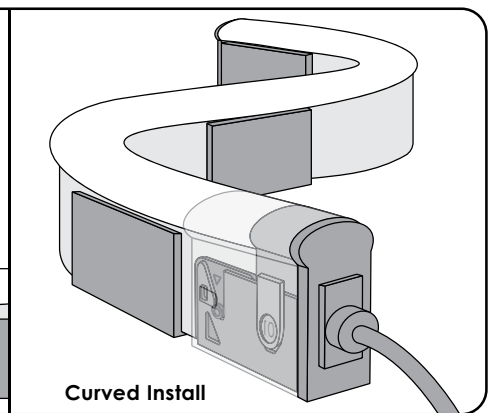
Curved Install



Ensure tracks are wiped down and clean. Apply silicone to the inner surface of the track.



Straight Install



Curved Install







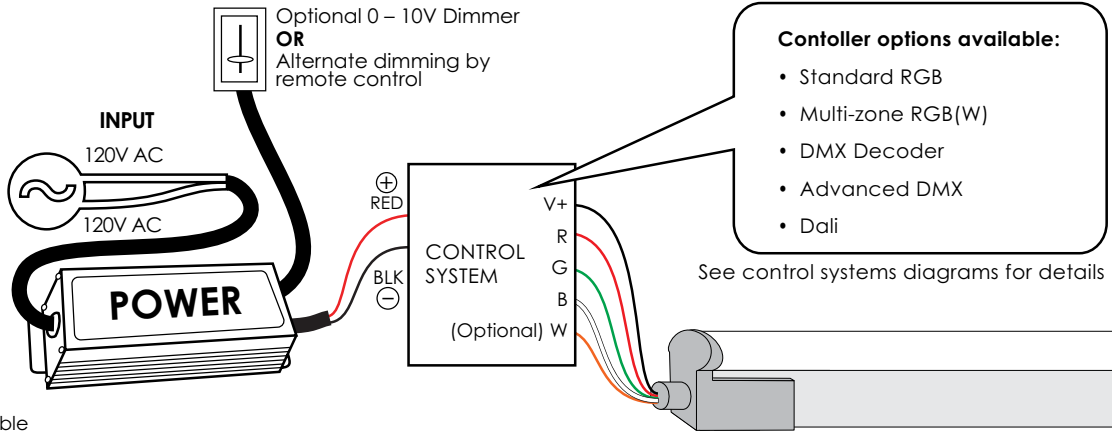
# LED Neon • Round 4.57 Watt RGBW IP68 Wiring Instructions

## RGBW WIRING

### To Start:

#### You will need:

- Maresettes
- Clear silicone
- SGI LED Transformer(s)
- SGI LED Neon Light(s)
- 18 AWG 5 conductor shielded cable



\* Non-dimmable drivers are available  
 \*\*Shown with injection molded end connector

### NEON-RND\_4.57W-IP68-HB-24VDC-fin-lc-con – POWER-21-24VDC-watt DIMMABLE

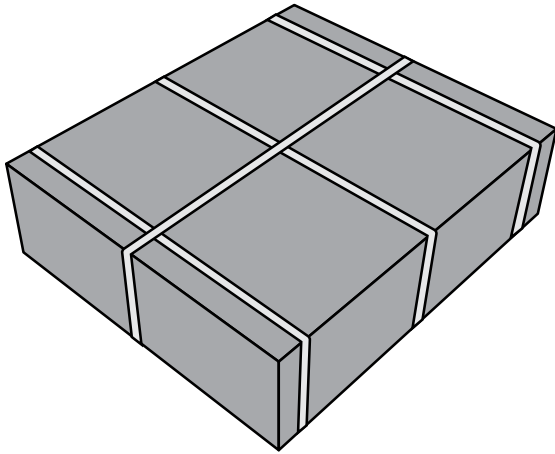
Power Supply	20 Watt Class 2	40 Watt Class 2	60 Watt Class 2	96 Watt Class 2	150 Watt Class 1	200 Watt Class 1	300 Watt Class 1
Max ft of light <sup>1</sup>	4 ft	7 ft	11 ft	17 ft	26 ft	35 ft*	53 ft*
Max cable distance between power & light	12AWG >300ft	12AWG 189ft	12AWG 126ft	12AWG 68ft	12AWG 46ft	12AWG 35ft	12AWG 23ft
	14AWG 238ft	14AWG 119ft	14AWG 79ft	14AWG 43ft	14AWG 29ft	14AWG 21ft	14AWG 14ft
	16AWG 149ft	16AWG 74ft	16AWG 49ft	16AWG 27ft	16AWG 18ft	16AWG 13ft	16AWG 9ft
	18AWG 94ft	18AWG 47ft	18AWG 31ft	18AWG 17ft	18AWG 11ft	18AWG 9ft	18AWG 6ft

\* Every 32 linear feet of light must be home-run to transformer. \*\*All installations in North America must follow Class 2 requirements.  
<sup>1</sup>At 80% capacity

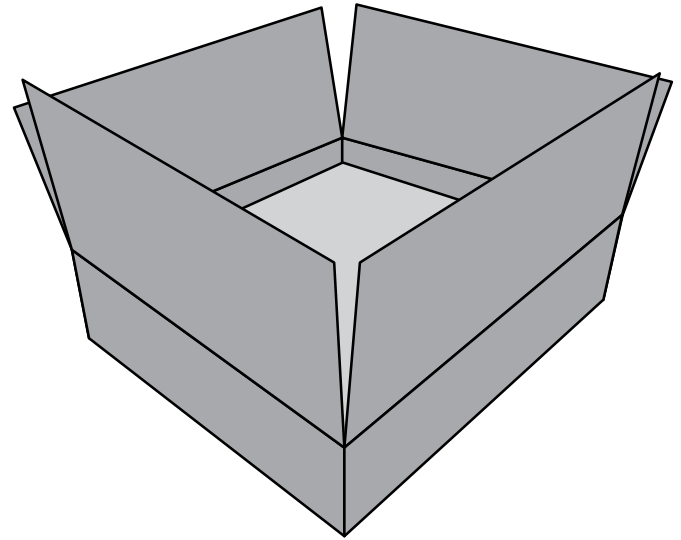




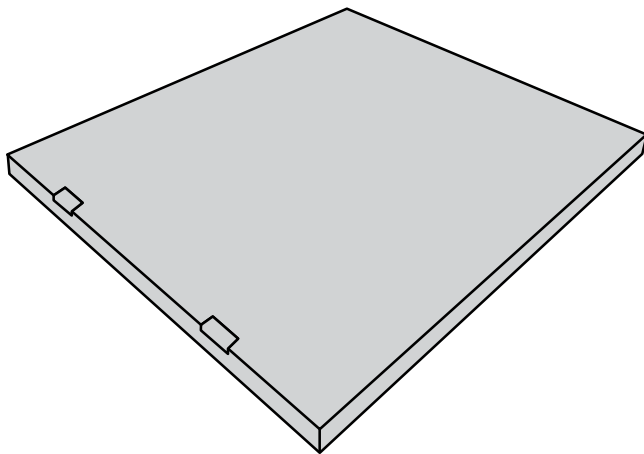
# LED Neon • Round 4.57 Watt RGBW IP68 Handling Guide



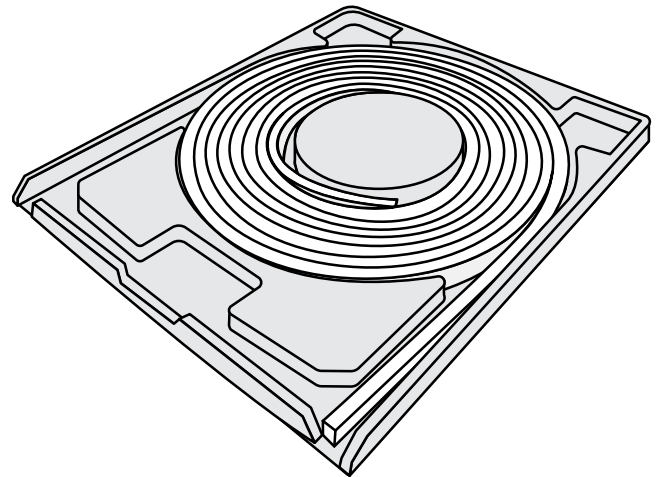
LED Neon lights are shipped in cartons. Carefully cut open cartons. Do not cut deeply, as the contents are packed tightly against the carton lid to prevent movement during shipping.



Each shipping carton can fit one to four trays.



**Important:** Keep trays flat. Placing trays on their sides can cause contents to become unravelled. Each tray can fit multiple LED Neon strips, depending on overall length. Slide out plastic tray onto flat surface.



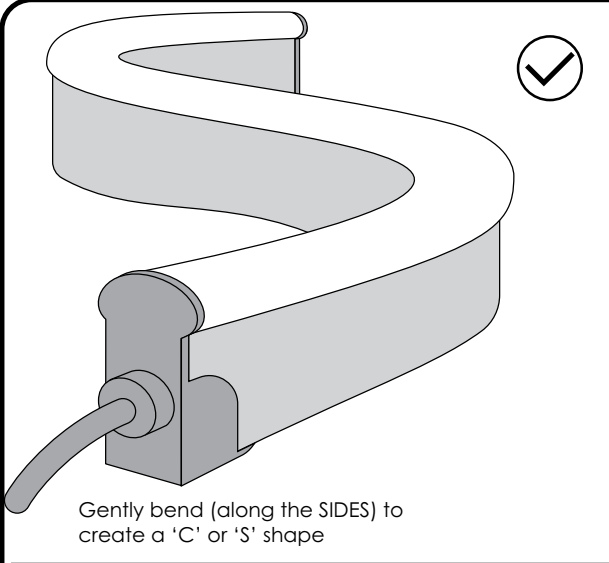
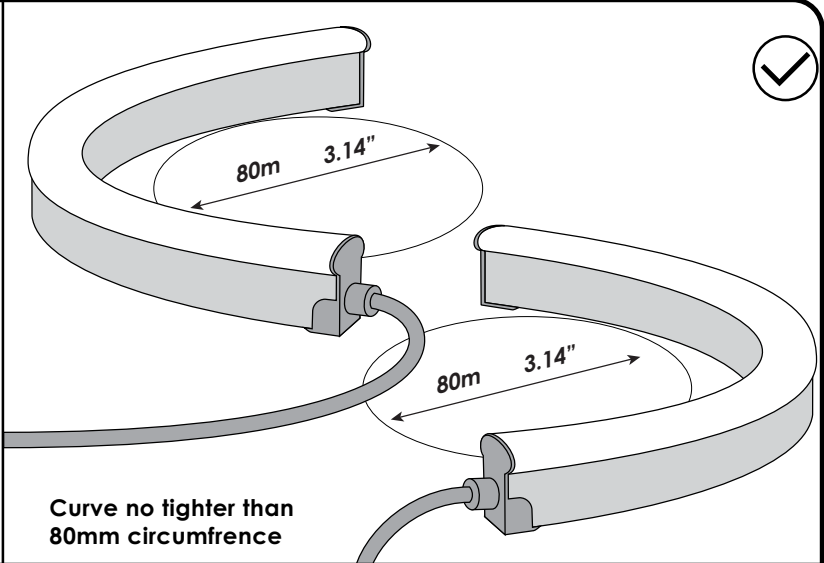
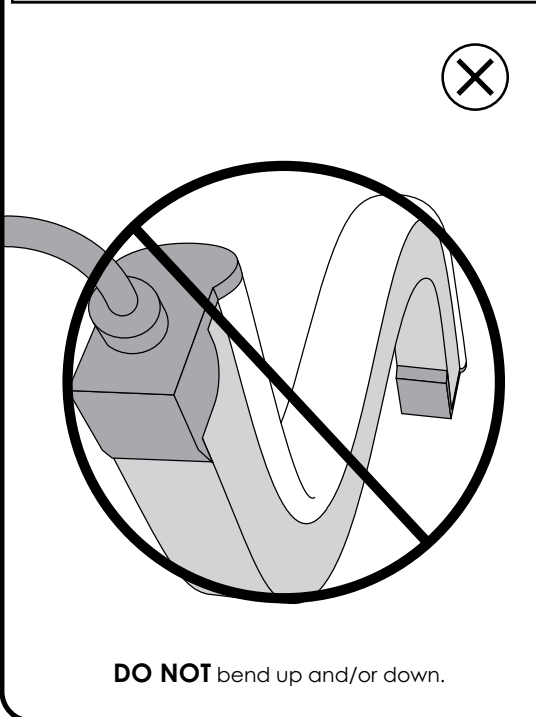
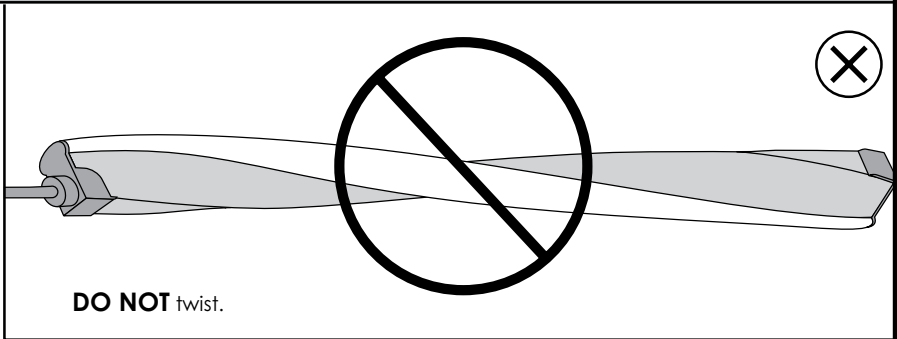
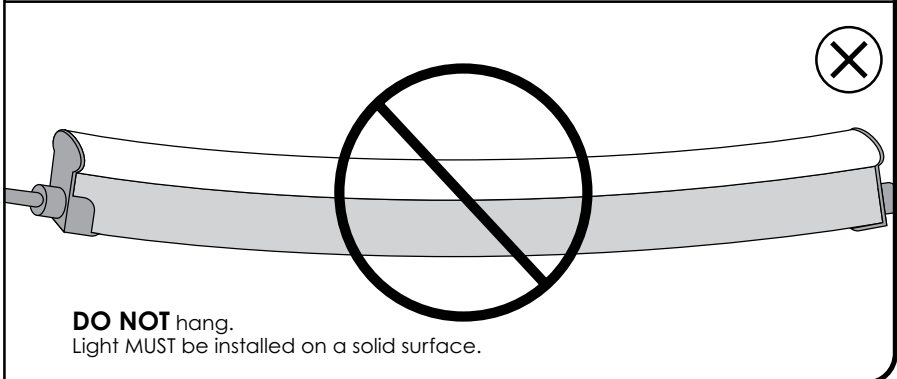
Remove LED Neon light by carefully lifting from the plastic holding tray.

**NOTE: PLEASE FOLLOW HANDLING INSTRUCTIONS (NEXT PAGE) CAREFULLY. IMPROPER HANDLING CAN DAMAGE LIGHTS AND VOID WARRANTY.**





# LED Neon • Round 4.57 Watt RGBW IP68 Handling Guide

 <p>Gently bend (along the SIDES) to create a 'C' or 'S' shape</p>	 <p>Curve no tighter than 80mm circumference</p>
<p>LED NEON ROUND MAY BE HANDLED IN THE WAYS MENTIONED ABOVE</p>	
<p>DO NOT HANDLE LED NEON ROUND AS SHOWN BELOW. IT MAY DAMAGE YOUR LIGHT.</p>	
 <p>DO NOT bend up and/or down.</p>	 <p>DO NOT twist.</p>  <p>DO NOT hang. Light MUST be installed on a solid surface.</p>



# LED Neon Light

## Round 4.57 Watt RGBW IP68

With SGI's **Neon Round 4.57 Watt RGBW IP68**, achieve two completely different (but equally beautiful) looks in a single LED Neon Light. Neon Round 4.57 Watt RGBW IP68 provides breathtaking RGB hues and also offers a sophisticated single colour white, all on the same LED strip. Enjoy the freedom of switching between colour changing excitement and a dignified 4000K, 3000K or 2700K colour temperature. Pair with LED Neon Track or Clips for straight, curved and upside down installations. The IP68 rating means it can be fully submersed to upgrade underwater features.

