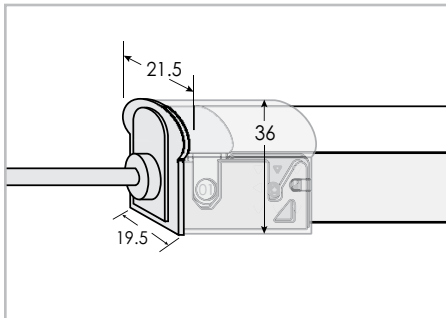
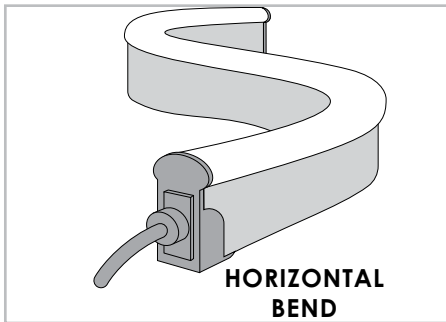


# LED Neon Light • Round 4.57 Watt RGBW



Standard Snap Connector shown.  
Dimensions in millimeters.

<b>Length</b>	Custom Length <sup>1</sup> cuttable every 3.25"		
<b>Operating Voltage (ov)</b>	24V DC		
<b>Finish (fin)</b>	WHT White		
<b>Light Colour (lc)</b>	RGBW2700K	Colour Changing with 2700K	
<b>Correlated Colour Temperature (CCT)</b>	RGBW3000K	Colour Changing with 3000K	
	RGBW4000K	Colour Changing with 4000K	
	RGBW5000K	Colour Changing with 5000K	
	Also available in Whites and Single Colours. Please see individual product spec sheets		
<b>Bend (bnd)</b>	HB Horizontal Bend		
<b>Connection (con)</b> <sup>1</sup>	<b>Snap connectors:</b> <sup>2</sup>	<b>Injection molded:</b>	
	IN_AE-CST-OUT_AE-CST	IN_E-30-OUT_E-30	
	IN_AE-CST-OUT_ENDCAP	IN_E-30-OUT_ENDCAP	
	IN_AL-CST-OUT_AR-CST	IN_SL-30-OUT_SR-30	
	IN_AL-CST-OUT_ENDCAP	IN_SL-30-OUT_ENDCAP	
	IN_AR-CST-OUT_AL-CST	IN_SR-30-OUT_SL-30	
	IN_AR-CST-OUT_ENDCAP	IN_SR-30-OUT_ENDCAP	
	IN_AB-CST-OUT_AB-CST	IN_B-30-OUT_B-30	
	IN_AB-CST-OUT_ENDCAP	IN_B-30-OUT_ENDCAP	
<b>Beam Angle (ba) Degrees</b>	270°		
<b>Light Output Lumens</b>	RGBW3000k	302.9	per foot
<b>IP Rating</b>	IP67		
<b>Dimensions with snap connector Width, Height, Length</b>	W	0.65"	16.5 mm
	H	1.22"	30.8 mm
	L	Specify maximum length in inches <sup>1</sup>	
<b>Watts</b>	4.57 Watts per foot		
<b>Input Voltage</b>	AC 100V – 240V, 277V external transformer		
<b>Dimmable</b>	Yes With dimmable transformer MLV, ELV, Phase or 0-10V. Please specify at time of order.		
<b>Operating Temperature</b>	-25°C to +50°C -13°F to 122°F		
<b>Life Lumen Maintenance</b>	50,000 hours		

See connections page for alternative connector types and dimensions.

## Part Number Configuration

NEON	RND_4.57W	HB	24VDC	WHT		
Category	Family	Bend (bnd)	Operating Voltage (ov)	Finish (fin)	Light Colour (lc)	Connection (con)
NEON	RND_4.57W	HB Horizontal Bend	24VDC	WHT	RGBW2700K RGBW3000K RGBW4000K RGBW5000K	<b>Snap Connectors:</b> <sup>2</sup> IN_AE-CST-OUT_AE-CST IN_AE-CST-OUT_ENDCAP IN_AL-CST-OUT_AR-CST IN_AL-CST-OUT_ENDCAP IN_AR-CST-OUT_AL-CST IN_AR-CST-OUT_ENDCAP IN_AB-CST-OUT_AB-CST IN_AB-CST-OUT_ENDCAP <b>Injection Molded:</b> IN_E-30-OUT_E-30 IN_E-30-OUT_ENDCAP IN_SL-30-OUT_SR-30 IN_SL-30-OUT_ENDCAP IN_SR-30-OUT_SL-30 IN_SR-30-OUT_ENDCAP IN_B-30-OUT_B-30 IN_B-30-OUT_ENDCAP



<sup>1</sup> See Connections page(s) for more details. <sup>2</sup> Can be Field Installed.