

LED Neon Light

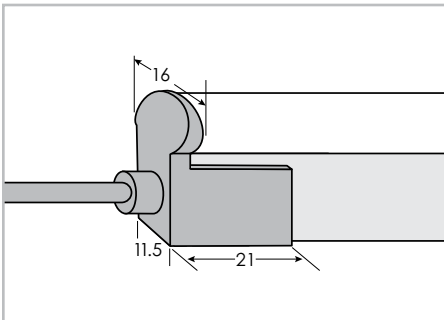
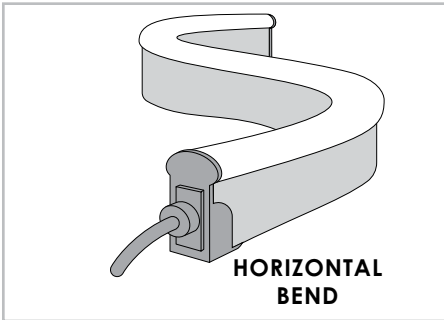
Round 4.57 Watt RGB IP68



Round 4.57 Watt RGB IP68



LED Neon Light • Round 4.57 Watt RGB IP68



Standard Injection Molded Connector shown. Dimensions in millimeters.

Length	Custom Length ¹ cuttable every 3.25"		
Operating Voltage (ov)	24V DC		
Finish (fin)	WHT	White	
Light Colour (lc) Correlated Colour Temperature (CCT)	RGB	Colour Changing	
	Also available in Whites and Single Colours. Please see individual product spec sheets		
Bend (bnd)	HB	Horizontal Bend	
Connection (con) ¹	Injection molded: IN_E-30-OUT_E-30 IN_E-30-OUT_ENDCAP IN_SL-30-OUT_SR-30 IN_SL-30-OUT_ENDCAP IN_SR-30-OUT_SL-30 IN_SR-30-OUT_ENDCAP IN_B-30-OUT_B-30 IN_AB-CST-OUT_ENDCAP		
Beam Angle (ba) Degrees	270°		
Light Output Lumens	RGB White	302.9	per foot
IP Rating	IP68 ²		
Dimensions with snap connector Width, Height, Length	W	0.84"	21.5 mm
	H	1.41"	36 mm
	L	Specify maximum length in inches ¹	
Watts	4.57 Watts per foot		
Input Voltage	AC 100V – 240V, 277V external transformer		
Dimmable	Yes With dimmable transformer MLV, ELV, Phase or 0-10V. Please specify at time of order.		
Operating Temperature	-25°C to +50°C -13°F to 122°F		
Life Lumen Maintenance	50,000 hours		

See connections page for alternative connector types and dimensions.

Part Number Configuration

NEON	RND_4.57W-IP68²	HB	24VDC	WHT	RGB	
-------------	-----------------------------------	-----------	--------------	------------	------------	--

Category	Family	Bend (bnd)	Operating Voltage (ov)	Finish (fin)	Light Colour (lc)	Connection (con)
NEON	RND_4.57W-IP68 ²	HB Horizontal Bend	24VDC	WHT	RGB	Injection Molded: IN_E-30-OUT_E-30 IN_E-30-OUT_ENDCAP IN_SL-30-OUT_SR-30 IN_SL-30-OUT_ENDCAP IN_SR-30-OUT_SL-30 IN_SR-30-OUT_ENDCAP IN_B-30-OUT_B-30 IN_B-30-OUT_ENDCAP



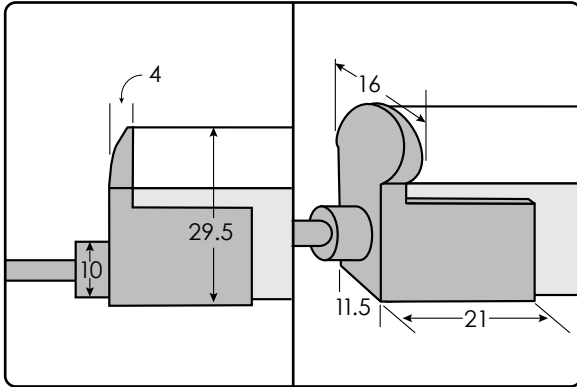
¹ See Connections page(s) for more details.

² SPECIAL ORDER: Please confirm availability. Allow for 6 - 8 weeks lead time.

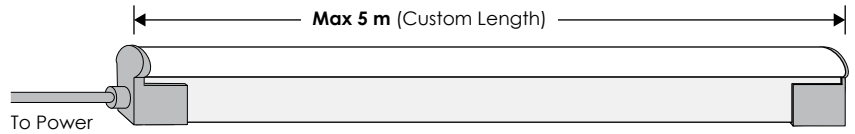


LED Neon Light • Round 4.57 Watt RGB IP68 Injection Molded Options

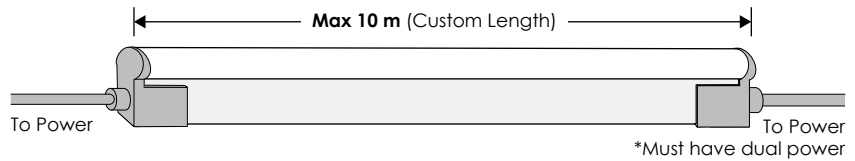
End Connector



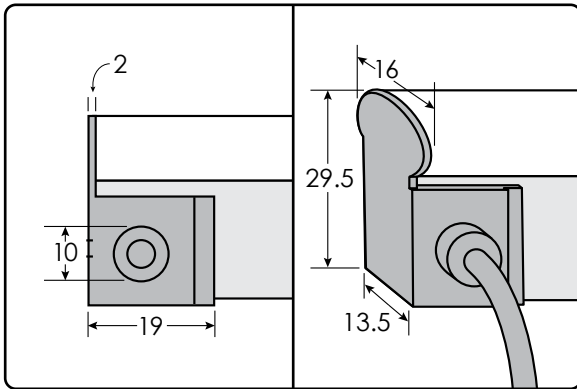
IN_E-30-OUT_ENDCAP



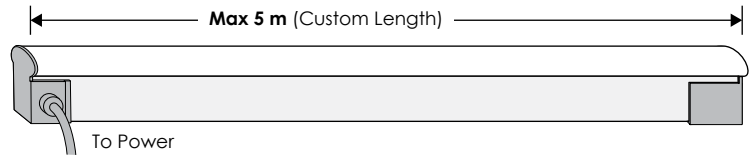
IN_E-30-OUT_E-30



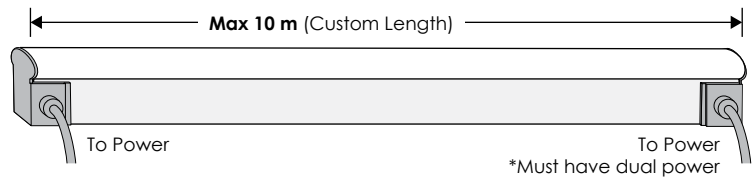
Side Connector



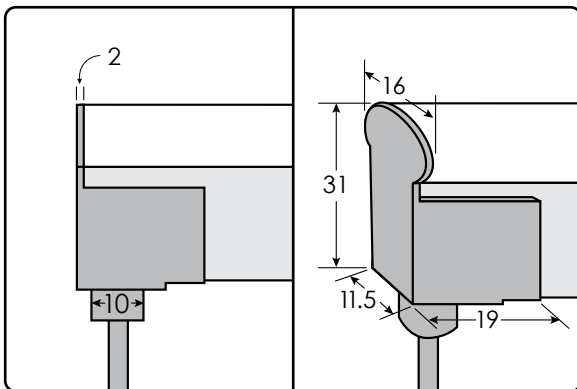
IN_SL-30-OUT_ENDCAP / IN_SR-30-OUT_ENDCAP



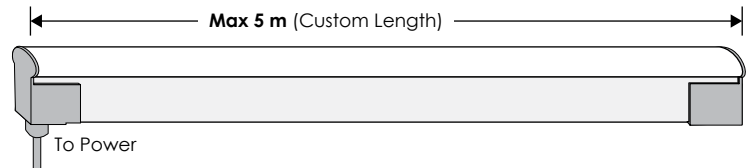
IN_SL-30-OUT_SR-30 / IN_SR-30-OUT_SL-30



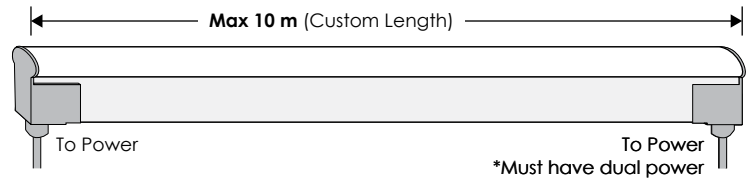
Bottom Connector



IN_B-30-OUT_ENDCAP



IN_B-30-OUT_B-30

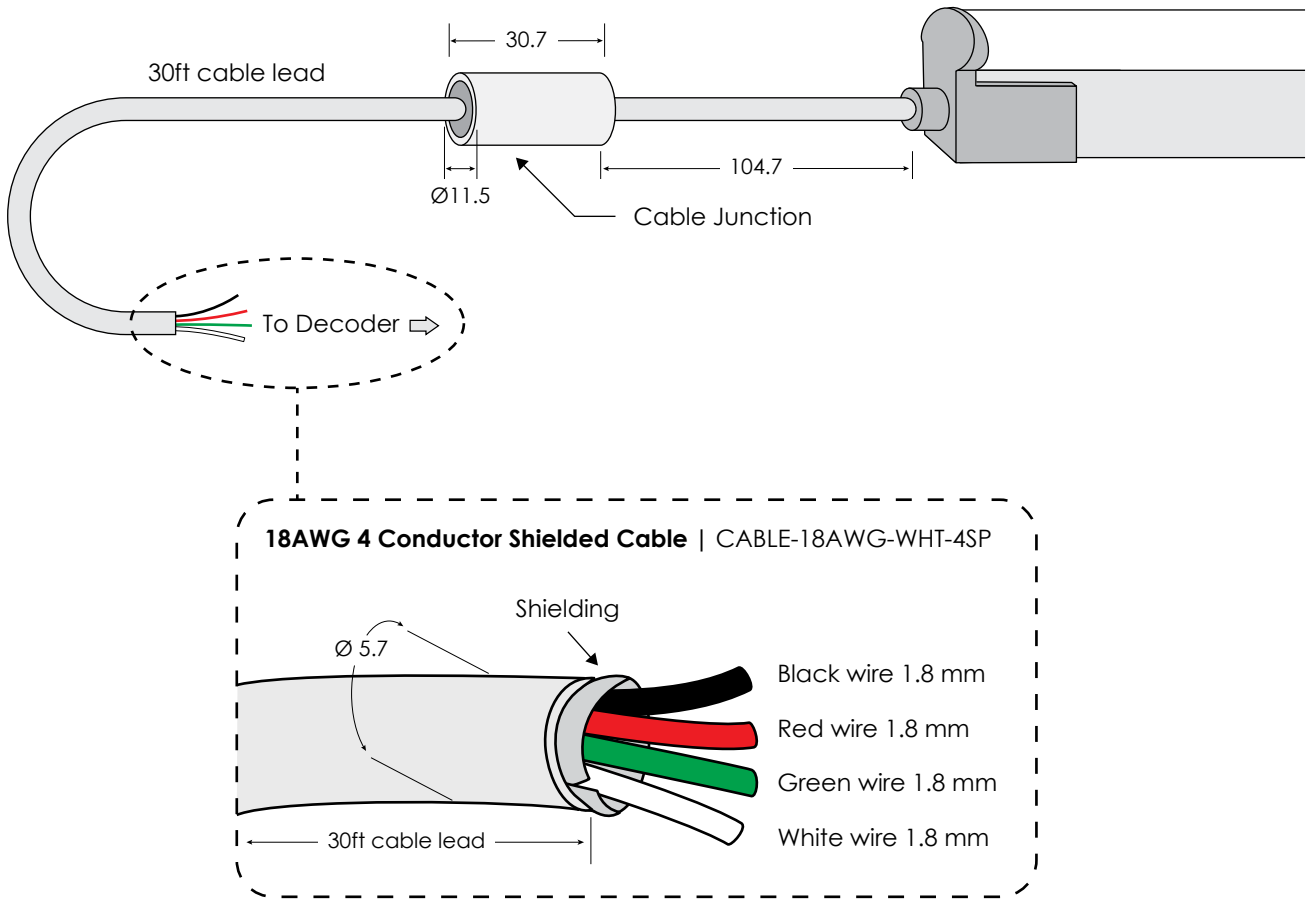




LED Neon Light • Round 4.57 Watt RGB IP68 Cable Options for Injection Molding Connection

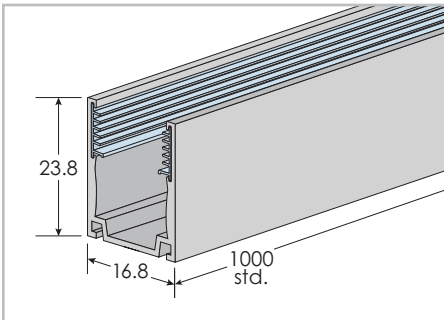
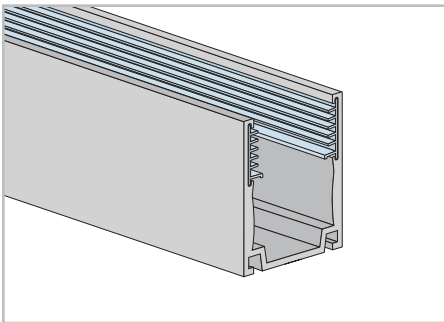
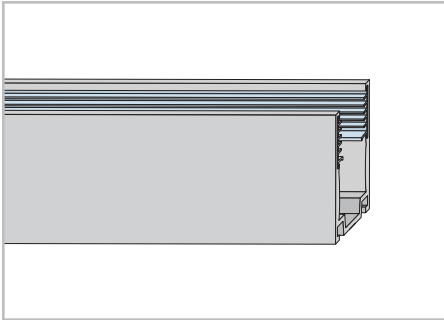
Hardwire

With standard 30ft cable.



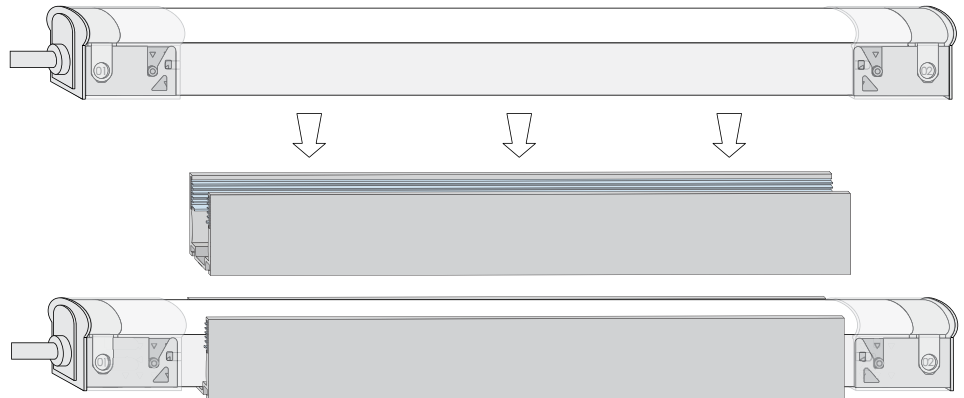


LED Track • Neon 1724 Self-Locking



Dimensions in millimeters

Finish (fin)	SIL Silver
Lens (ln)	N None
Custom Length	Custom Track lengths available Please specify length in inches Standard length 1 m (39"), maximum 2.5 m (98")
Housing	Aluminum Alloy
Compatible Lights	Flat 4.57W LED Neon Light NEON-FLT_4.57W-HB-ov-fin-lc-con Round 4.57W LED Neon Light NEON-RND_4.57W-HB-ov-fin-lc-con Round High Temperature 2.2W LED Neon Light NEON-RNDHT_2.2W-HB-24VDC-WHT-lc-con



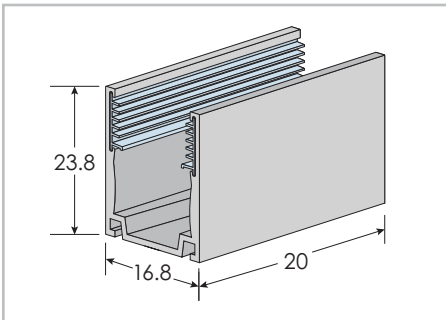
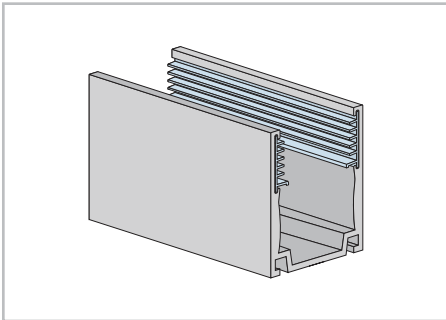
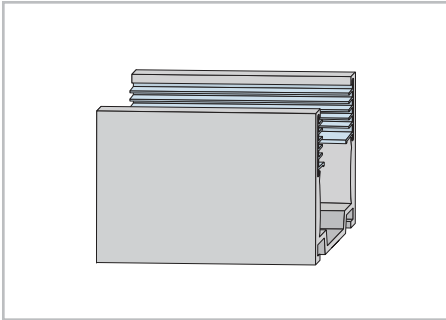
Part Number Configuration

TRACK	NEON-1724SL3	CST	SIL	N
Category	Family	Length	Finish	Lens
TRACK	NEON-1724SL3	CST Custom Length	SIL Silver	N None



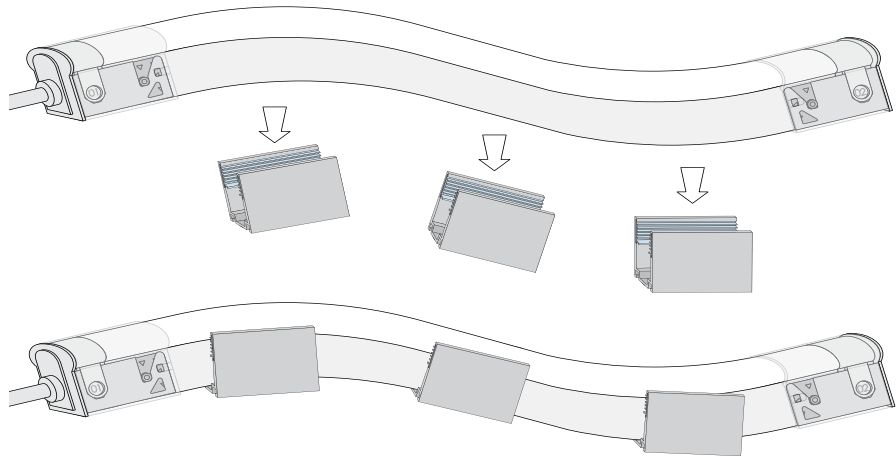


LED Clip • Neon 1724 Self-Locking



Dimensions in millimeters

Finish (fin)	SIL Silver
Lens (ln)	N None
Length	20 mm 0.78 Inches (Tolerance +/- 0.3mm)
Housing	Aluminum Alloy
Compatible Lights	Flat 4.57W LED Neon Light NEON-FLT_4.57W-HB-ov-fin-lc-con
	Round 4.57W LED Neon Light NEON-RND_4.57W-HB-ov-fin-lc-con
	Round High Temperature 2.2W LED Neon Light NEON-RNDHT_2.2W-HB-24VDC-WHT-lc-con



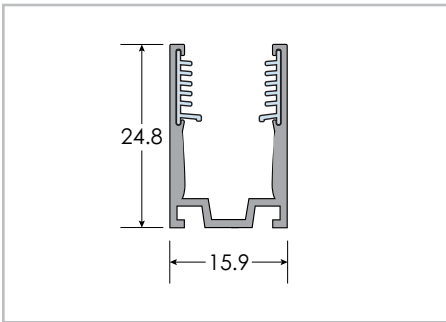
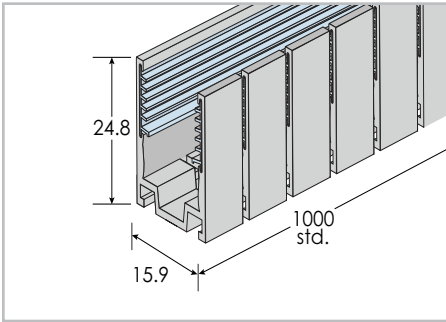
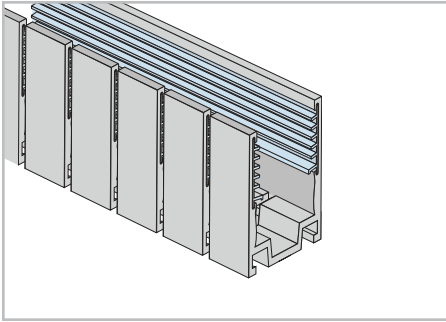
Part Number Configuration

CLIP	NEON-1724SL3	20MM	SIL	N
Category	Family	Length	Finish	Lens
CLIP	NEON-1724SL3	20MM 0.78 Inches	SIL Silver	N None



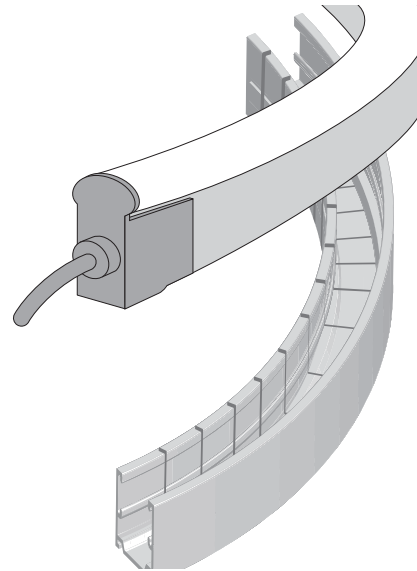


LED Track • Neon 1724 Self-Locking Horizontal Bend



Dimensions in millimeters

Finish (fin)	SIL Silver
Lens (ln)	N None
Custom Length	Custom Track lengths available Please specify length in inches Standard length 1 m (39"), maximum 2.5 m (98")
Housing	Aluminum Alloy
Compatible Lights	Flat 4.57W LED Neon Light NEON-FLT_4.57W-HB-ov-fin-lc-con Round 4.57W LED Neon Light NEON-RND_4.57W-HB-ov-fin-lc-con Round High Temperature 2.2W LED Neon Light NEON-RNDHT_2.2W-HB-24VDC-WHT-lc-con



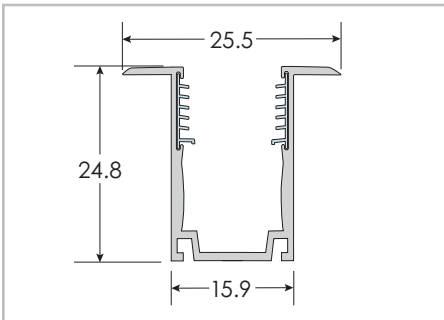
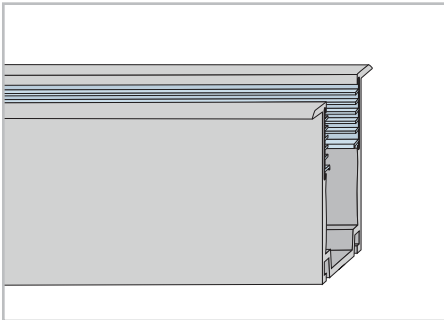
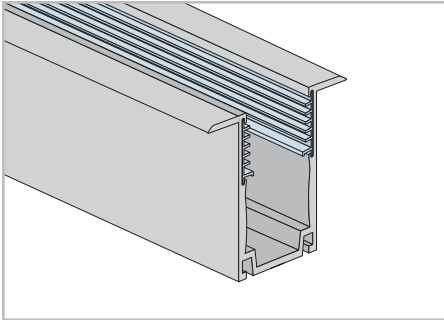
Part Number Configuration

TRACK	NEON-1724SL3-H_BND	CST	SIL	N
Category	Family	Length	Finish	Lens
TRACK	NEON-1724SL3-H_BND	CST Custom Length	SIL Silver	N None





LED Track • Neon 1724 Self-Locking Recessed



Dimensions in millimeters

Finish (fin)	SIL Silver
Lens (ln)	N None
Custom Length	Custom Track lengths available Please specify length in inches Standard length 1 m (39"), maximum 2.5 m (98")
Housing	Aluminum Alloy
Compatible Lights	Flat 4.57W LED Neon Light NEON-FLT_4.57W-HB-ov-fin-lc-con Round 4.57W LED Neon Light NEON-RND_4.57W-HB-ov-fin-lc-con Round High Temperature 2.2W LED Neon Light NEON-RNDHT_2.2W-HB-24VDC-WHT-lc-con



Part Number Configuration

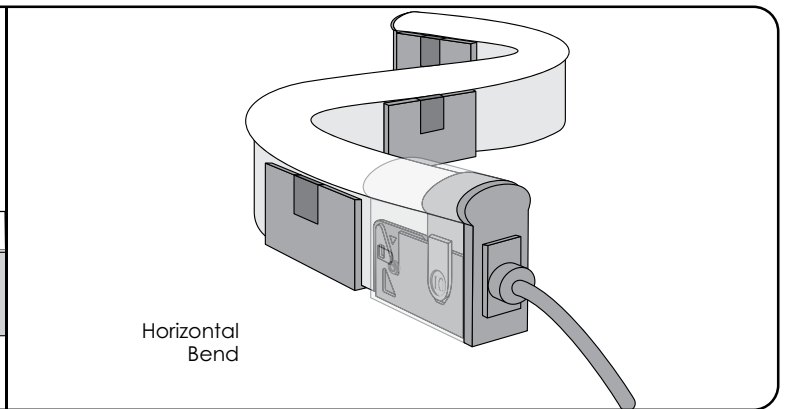
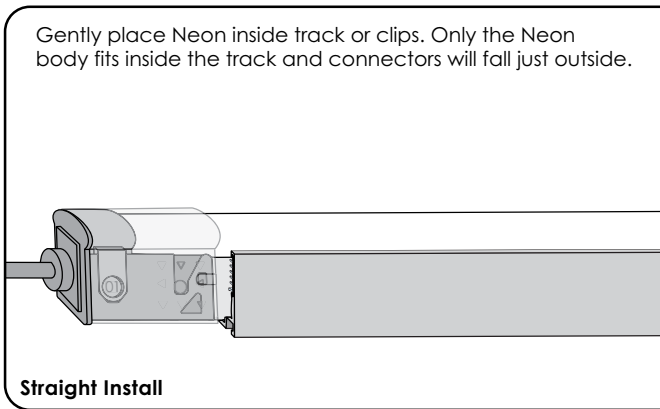
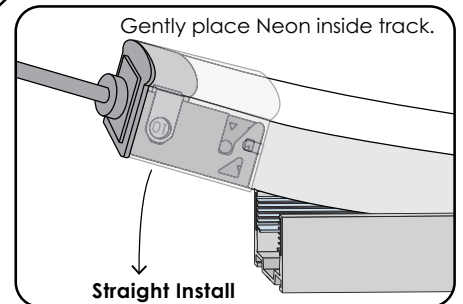
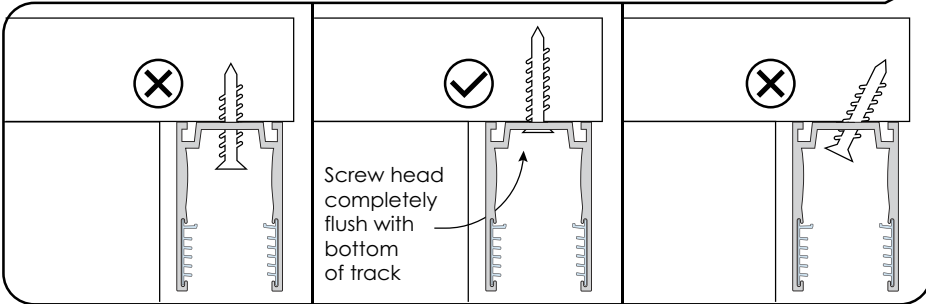
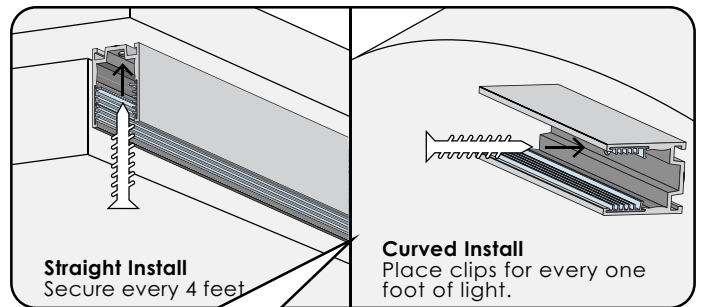
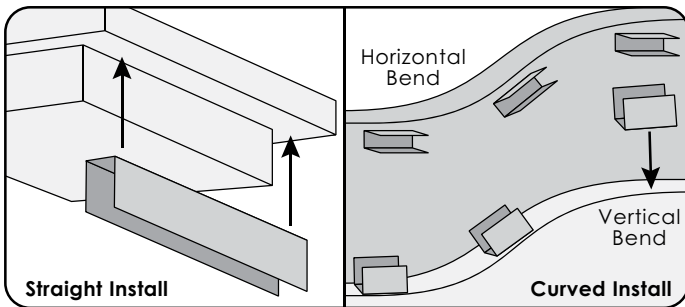
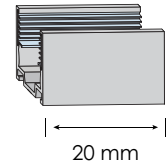
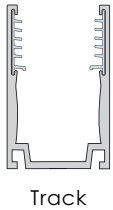
TRACK	NEON-1724SL3-REC	CST	SIL	N
Category	Family	Length	Finish	Lens
TRACK	NEON-1724SL3-REC	CST Custom Length	SIL Silver	N None





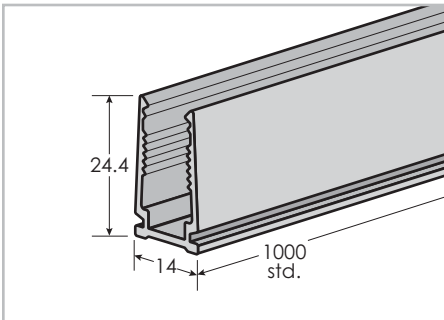
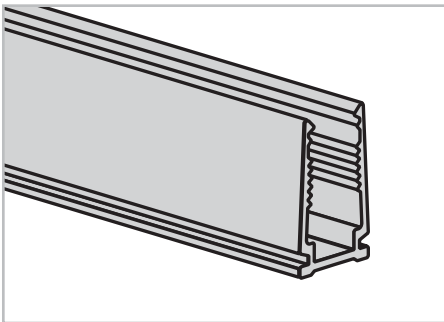
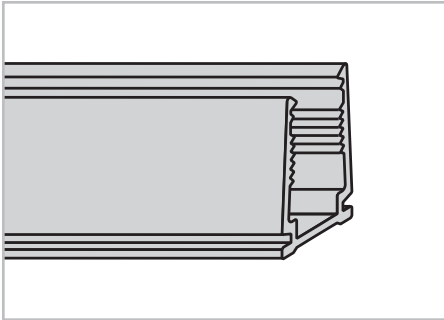
LED Track/Clip • Neon 1724 Self-Locking Mounting Guide

Mount LED Neon lights in long lengths of track to achieve straight installations
OR multiple clips along a rounded surface for curved installations





LED Track • Neon 1724 PVC



Finish (fin)	WHT White
Lens (ln)	N None
Custom Length	Custom Track lengths available Please specify length in inches Standard length 1 m (39"), maximum 2 m (78")
Housing	PVC
Compatible Lights	Flat 4.57W LED Neon Light NEON-FLT_4.57W-HB-ov-fin-lc-con Round 4.57W LED Neon Light NEON-RND_4.57W-HB-ov-fin-lc-con Round High Temperature 2.2W LED Neon Light NEON-RNDHT_2.2W-HB-24VDC-WHT-lc-con
Installation Note	No self-locking feature Recommended for undermount installations, use silicone to secure light into track.



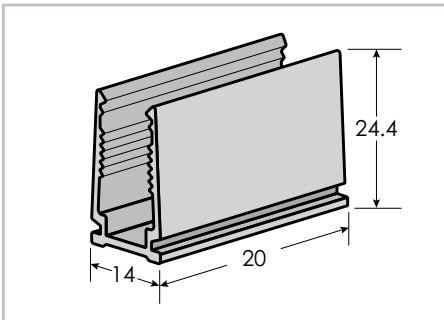
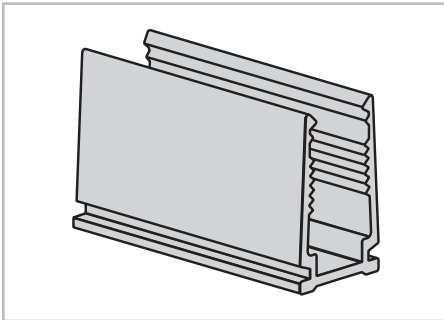
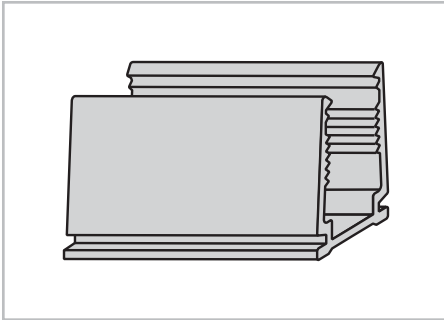
Part Number Configuration

TRACK	NEON-1724PVC	CST	WHT	N
Category	Family	Length	Finish	Lens
TRACK	NEON-1724PVC	CST Custom Length	WHT White	N None

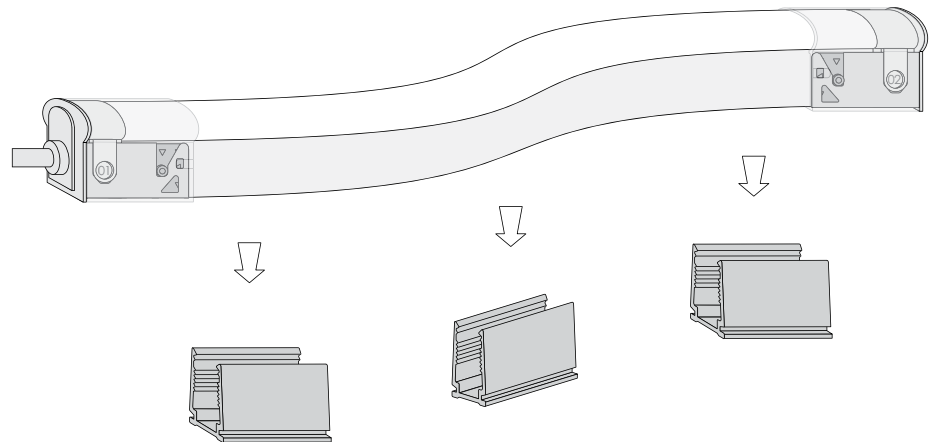




LED Clip • Neon 1724 PVC



Finish (fin)	WHT White
Lens (ln)	N None
Length	20 mm 0.78 Inches (Tolerance +/- 0.3mm)
Housing	Plastic
Compatible Lights	Flat 4.57W LED Neon Light NEON-FLT_4.57W-HB-ov-fin-lc-con Round 4.57W LED Neon Light NEON-RND_4.57W-HB-ov-fin-lc-con Round High Temperature 2.2W LED Neon Light NEON-RNDHT_2.2W-HB-24VDC-WHT-lc-con
Installation Note	No self-locking feature Not recommended for undermount installations



Part Number Configuration

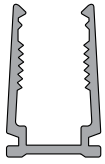
CLIP	NEON-1724PVC	20MM	WHT	N
Category	Family	Length	Finish	Lens
CLIP	NEON-1724PVC	20MM 0.78 Inches	WHT White	N None





LED Track/Clip • Neon 1724 PVC Mounting Guide

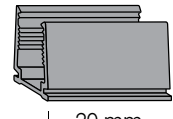
Mount LED Neon lights in long lengths of track to achieve straight installations
OR multiple clips along a rounded surface for curved installations



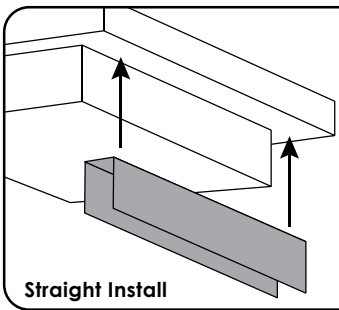
Track



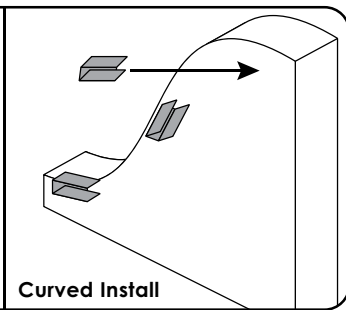
1 meter (2 meter length available as special order)
(field cuttable to custom lengths)



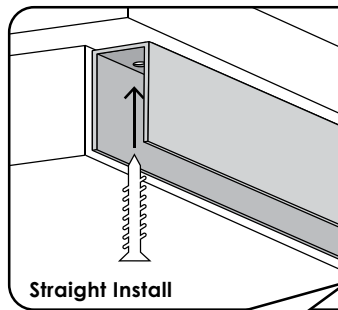
20 mm



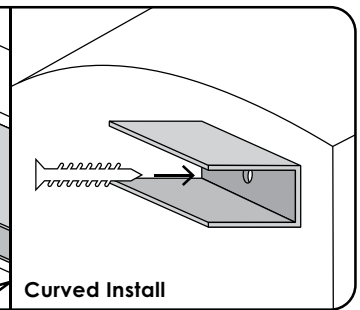
Straight Install



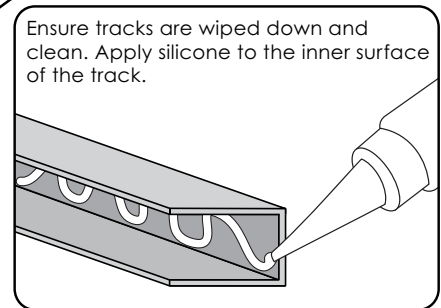
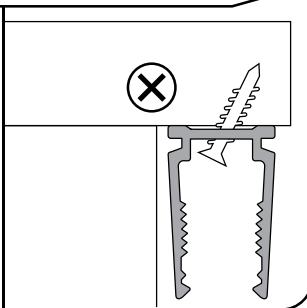
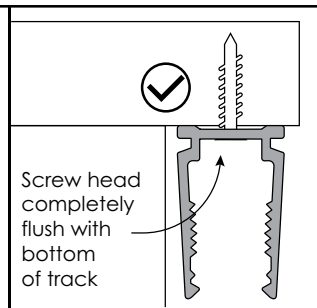
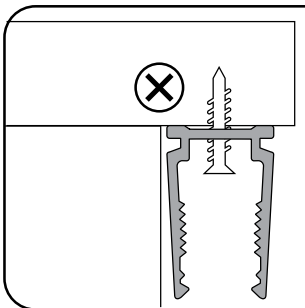
Curved Install



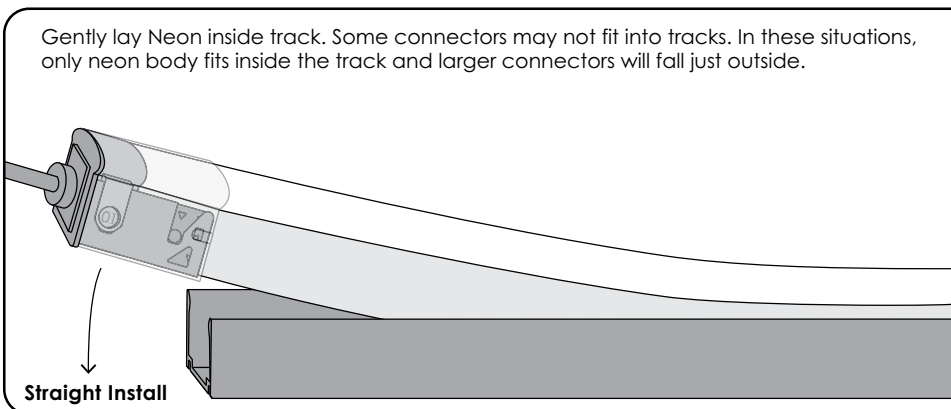
Straight Install



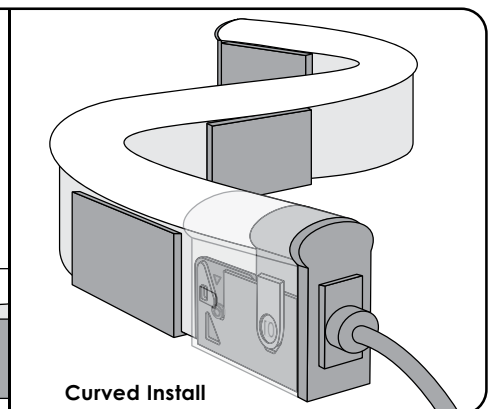
Curved Install



Ensure tracks are wiped down and clean. Apply silicone to the inner surface of the track.



Straight Install



Curved Install

Gently lay Neon inside track. Some connectors may not fit into tracks. In these situations, only neon body fits inside the track and larger connectors will fall just outside.





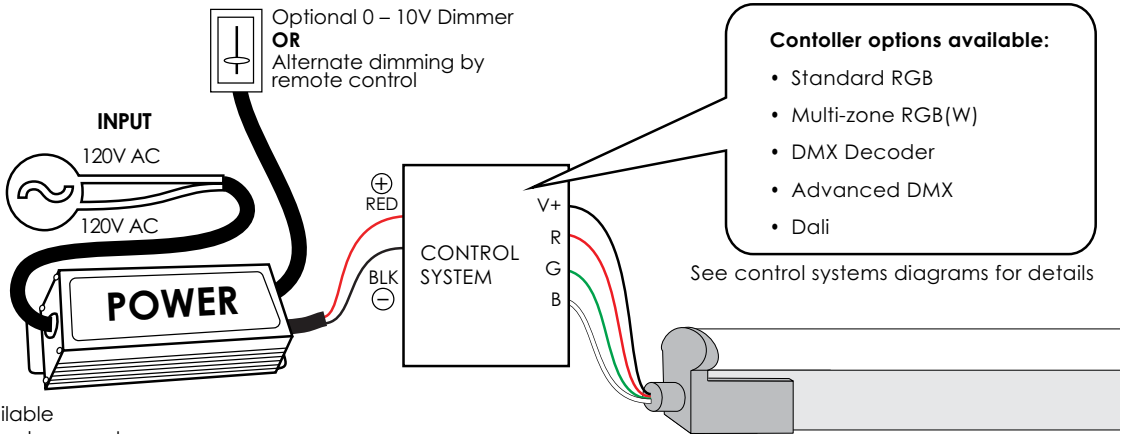
LED Neon • Round 4.57 Watt RGB IP68 Wiring Instructions

RGB WIRING

To Start:

You will need:

- Marettes
- Clear silicone
- SGI LED Transformer(s)
- SGI LED Neon Light(s)
- 18 AWG 4 conductor shielded cable



* Non-dimmable drivers are available

**Shown with injection molded end connector

NEON-RND_4.57W-IP68-HB-24VDC-fin-ic-con – POWER-21-24VDC-watt DIMMABLE

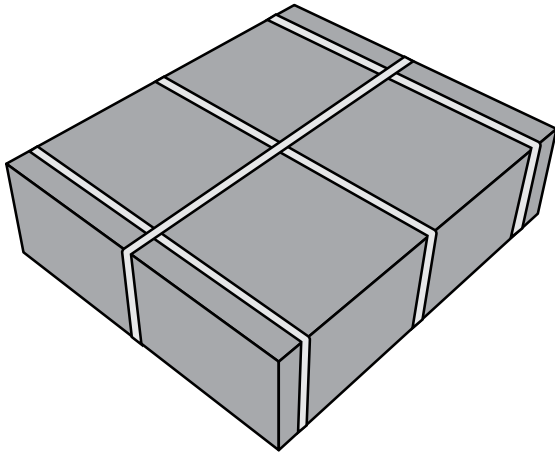
Power Supply	20 Watt Class 2	40 Watt Class 2	60 Watt Class 2	96 Watt Class 2	150 Watt Class 1	200 Watt Class 1	300 Watt Class 1
Max ft of light ¹	4 ft	7 ft	11 ft	17 ft	26 ft	35 ft*	53 ft*
Max cable distance between power & light	12AWG >300ft	12AWG 189ft	12AWG 126ft	12AWG 68ft	12AWG 46ft	12AWG 35ft	12AWG 23ft
	14AWG 238ft	14AWG 119ft	14AWG 79ft	14AWG 43ft	14AWG 29ft	14AWG 21ft	14AWG 14ft
	16AWG 149ft	16AWG 74ft	16AWG 49ft	16AWG 27ft	16AWG 18ft	16AWG 13ft	16AWG 9ft
	18AWG 94ft	18AWG 47ft	18AWG 31ft	18AWG 17ft	18AWG 11ft	18AWG 9ft	18AWG 6ft

* Every 32 linear feet of light must be home-run to transformer. **All installations in North America must follow Class 2 requirements.

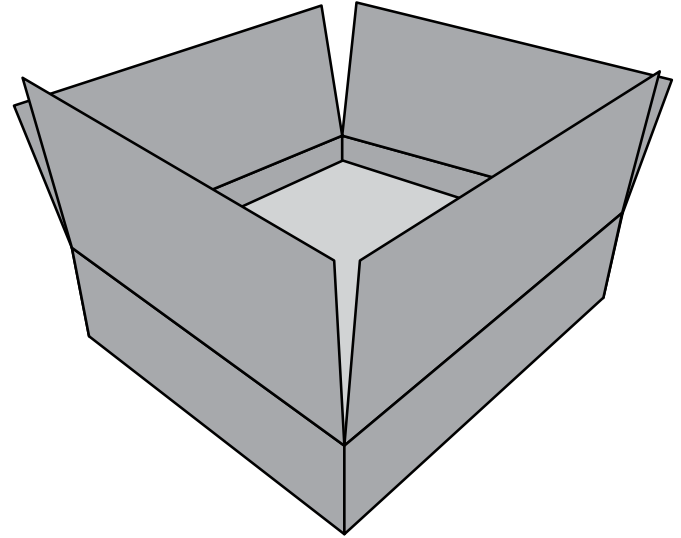
¹At 80% capacity



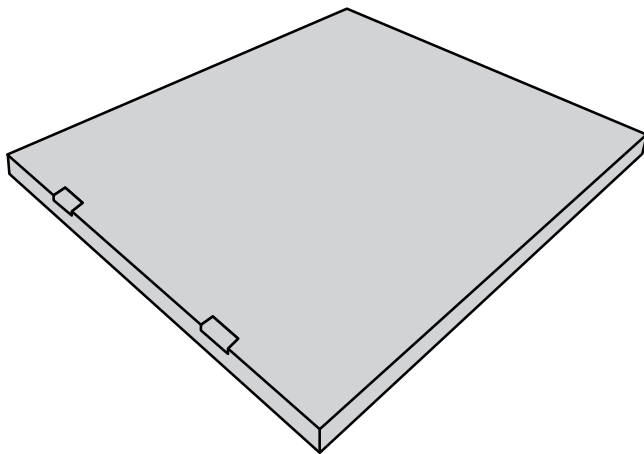
LED Neon • Round 4.57 Watt RGB IP68 Handling Guide



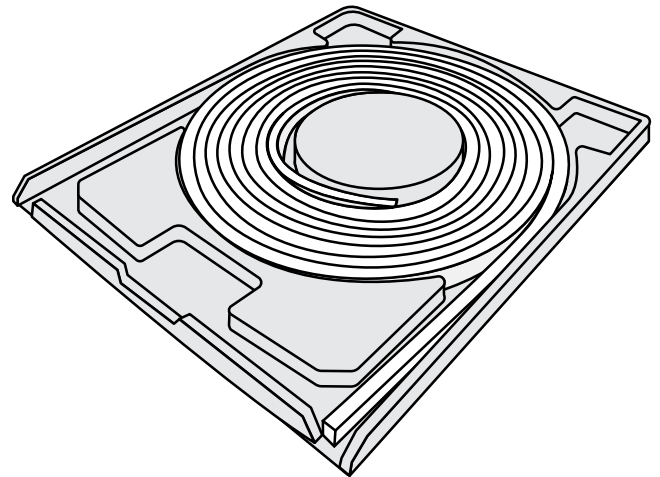
LED Neon lights are shipped in cartons. Carefully cut open cartons. Do not cut deeply, as the contents are packed tightly against the carton lid to prevent movement during shipping.



Each shipping carton can fit one to four trays.



Important: Keep trays flat. Placing trays on their sides can cause contents to become unravelled. Each tray can fit multiple LED Neon strips, depending on overall length. Slide out plastic tray onto flat surface.



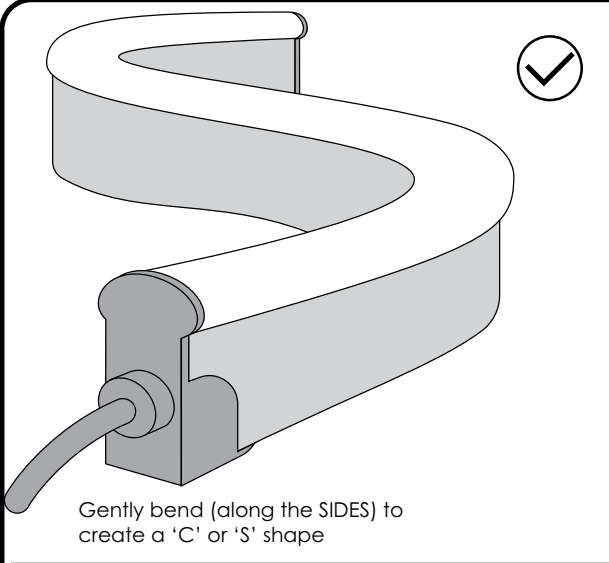
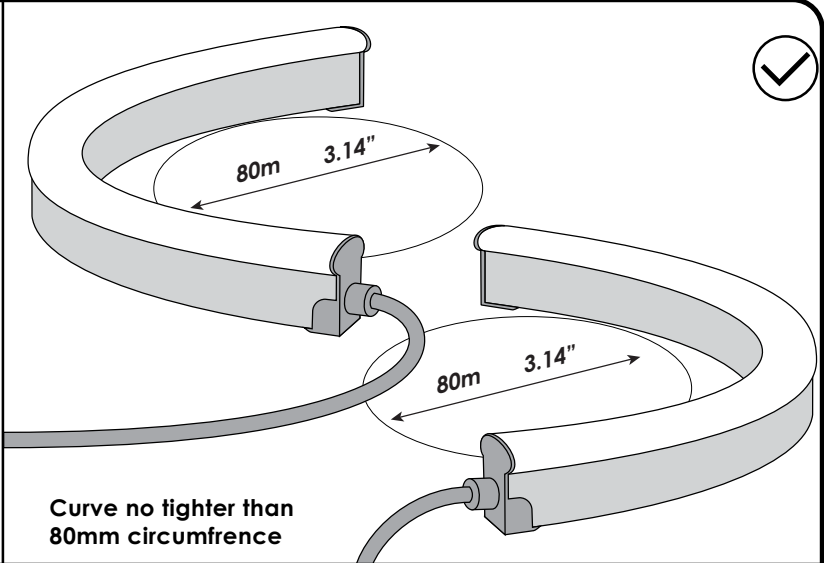
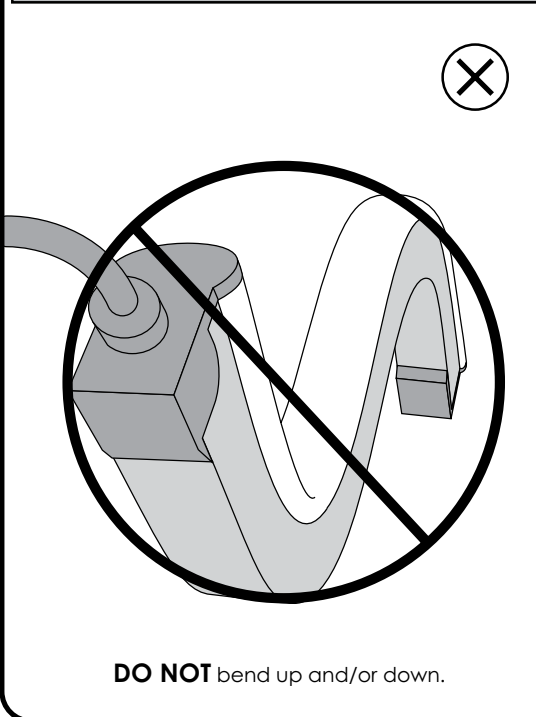
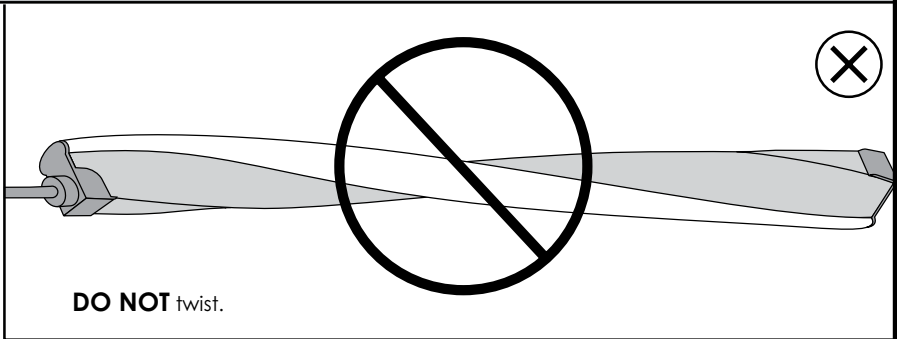
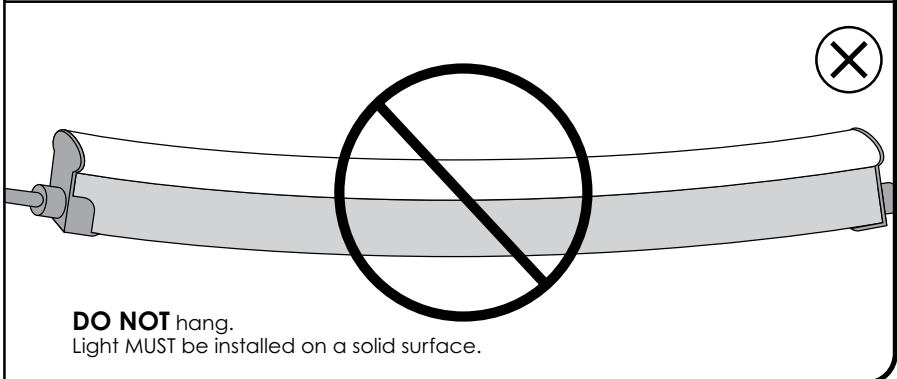
Remove LED Neon light by carefully lifting from the plastic holding tray.

NOTE: PLEASE FOLLOW HANDLING INSTRUCTIONS (NEXT PAGE) CAREFULLY. IMPROPER HANDLING CAN DAMAGE LIGHTS AND VOID WARRANTY.





LED Neon • Round 4.57 Watt RGB IP68 Handling Guide

 <p>Gently bend (along the SIDES) to create a 'C' or 'S' shape</p>	 <p>Curve no tighter than 80mm circumference</p>
<p>LED NEON ROUND MAY BE HANDLED IN THE WAYS MENTIONED ABOVE</p>	
<p>DO NOT HANDLE LED NEON ROUND AS SHOWN BELOW. IT MAY DAMAGE YOUR LIGHT.</p>	
 <p>DO NOT bend up and/or down.</p>	 <p>DO NOT twist.</p>  <p>DO NOT hang. Light MUST be installed on a solid surface.</p>



LED Neon Light

Round 4.57 Watt RGB IP68

SGi's **Neon Round 4.57 Watt RGB IP68** is a stunning choice for unique lighting installations with dazzling colour changing effects, especially those that are underwater. Neon Round 4.57 Watt RGB IP68 can be bent horizontally up to 80mm, so unique and fun design options are possible. Engineered to provide the highest possible quality, Neon Round 4.57 Watt RGB IP68's smooth and uniform glow is great for applications where the light is a visible design element. Pair with LED Neon Track or Clips for straight, curved and upside down installations. The IP68 rating means it can be fully submersed to upgrade underwater features.

