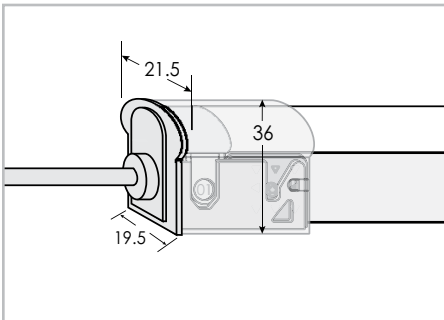
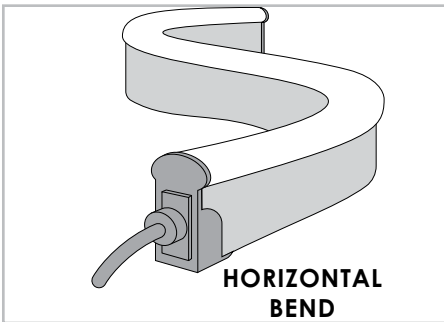


LED Neon Light • Round 4.57 Watt RGB



Standard Snap Connector shown.
Dimensions in millimeters.

Length	Custom Length ¹ cuttable every 3.25"		
Operating Voltage (ov)	24V DC		
Finish (fin)	WHT	White	
Light Colour (lc)	RGB	Colour Changing	
Correlated Colour Temperature (CCT)	Also available in Whites and Single Colours. Please see individual product spec sheets		
Bend (bnd)	HB	Horizontal Bend	
Connection (con) ¹	Snap connectors:² IN_AE-CST-OUT_AE-CST IN_E-30-OUT_E-30 IN_AE-CST-OUT_ENDCAP IN_E-30-OUT_ENDCAP IN_AL-CST-OUT_AR-CST IN_SL-30-OUT_SR-30 IN_AL-CST-OUT_ENDCAP IN_SL-30-OUT_ENDCAP IN_AR-CST-OUT_AL-CST IN_SR-30-OUT_SL-30 IN_AR-CST-OUT_ENDCAP IN_SR-30-OUT_ENDCAP IN_AB-CST-OUT_AB-CST IN_B-30-OUT_B-30 IN_AB-CST-OUT_ENDCAP IN_B-30-OUT_ENDCAP		
Beam Angle (ba) Degrees	270°		
Light Output Lumens	RGB White	302.9	per foot
IP Rating	IP67		
Dimensions with snap connector Width, Height, Length	W	0.84"	21.5 mm
	H	1.41"	36 mm
	L	Specify maximum length in inches ¹	
Watts	4.57 Watts per foot		
Input Voltage	AC 100V – 240V, 277V external transformer		
Dimmable	Yes With dimmable transformer MLV, ELV, Phase or 0-10V. Please specify at time of order.		
Operating Temperature	-25°C to +50°C -13°F to 122°F		
Life Lumen Maintenance	50,000 hours		

See connections page for alternative connector types and dimensions.

Part Number Configuration

NEON	RND_4.57W	HB	24VDC	WHT	RGB	
Category	Family	Bend (bnd)	Operating Voltage (ov)	Finish (fin)	Light Colour (lc)	Connection (con)
NEON	RND_4.57W	HB Horizontal Bend	24VDC	WHT	RGB	Snap Connectors:² IN_AE-CST-OUT_AE-CST IN_E-30-OUT_E-30 IN_AE-CST-OUT_ENDCAP IN_E-30-OUT_ENDCAP IN_AL-CST-OUT_AR-CST IN_SL-30-OUT_SR-30 IN_AL-CST-OUT_ENDCAP IN_SL-30-OUT_ENDCAP IN_AR-CST-OUT_AL-CST IN_SR-30-OUT_SL-30 IN_AR-CST-OUT_ENDCAP IN_SR-30-OUT_ENDCAP IN_AB-CST-OUT_AB-CST IN_B-30-OUT_B-30 IN_AB-CST-OUT_ENDCAP IN_B-30-OUT_ENDCAP



¹ See Connections page(s) for more details. ² Can be Field Installed.