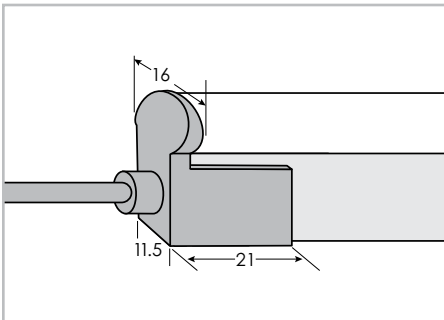
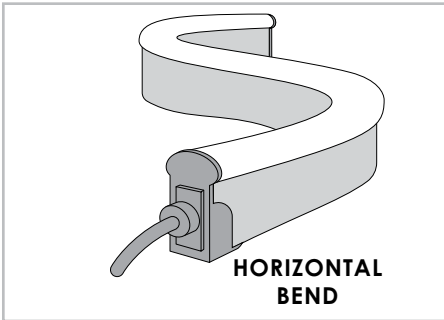


LED Neon Light • Round 4.57 Watt IP68



Standard Injection Molded Connector shown. Dimensions in millimeters.

Length	Custom Length ¹ cuttable every 3.25"		
Operating Voltage (ov)	24V DC		
Finish (fin)	WHT	White	
Light Colour (lc)	2700K Incandescent White		
Correlated Colour Temperature (CCT)	3000K Warm White		
	3500K Sand White		
	4000K Neutral White		
	5000K Cool White		
	CST ² Orange, Pink, Yellow, Violet		
	See RGB spec sheets for Colour Changing options		
Bend (bnd)	HB	Horizontal Bend	
Connection (con) ¹	Injection molded: IN_E-30-OUT_E-30 IN_E-30-OUT_ENDCAP IN_SL-30-OUT_SR-30 IN_SL-30-OUT_ENDCAP IN_SR-30-OUT_SL-30 IN_SR-30-OUT_ENDCAP IN_B-30-OUT_B-30 IN_AB-CST-OUT_ENDCAP		
Beam Angle (ba) Degrees	270°		
Light Output Lumens	2700K	319	per foot
	3000K	336	per foot
	3500K	349	per foot
	4000K	362	per foot
	5000K	388	per foot
IP Rating	IP68 ³		
Dimensions with snap connector	W	0.84"	21.5 mm
Width, Height, Length	H	1.41"	36 mm
	L	Specify maximum length in inches ¹	
Watts	4.57 Watts per foot		
Input Voltage	AC 100V – 240V, 277V external transformer		
Dimmable	Yes With dimmable transformer MLV, ELV, Phase or 0-10V. Please specify at time of order.		

See connections page for alternative connector types and dimensions.

Part Number Configuration

NEON	RND_4.57W-IP68³	HB	24VDC	WHT		
-------------	-----------------------------------	-----------	--------------	------------	--	--

Category	Family	Bend (bnd)	Operating Voltage (ov)	Finish (fin)	Light Colour (lc)	Connection (con)
NEON	RND_4.57W-IP68 ³	HB Horizontal Bend	24VDC	WHT	2700K 3000K 3500K 4000K 5000K CST ²	Injection Molded: IN_E-30-OUT_E-30 IN_E-30-OUT_ENDCAP IN_SL-30-OUT_SR-30 IN_SL-30-OUT_ENDCAP IN_SR-30-OUT_SL-30 IN_SR-30-OUT_ENDCAP IN_B-30-OUT_B-30 IN_B-30-OUT_ENDCAP



¹ See Connections page(s) for more details. ² SPECIAL ORDER: Available in single colour Orange, Pink, Yellow and Violet

³ SPECIAL ORDER: Please confirm availability. Allow for 6 - 8 weeks lead time.