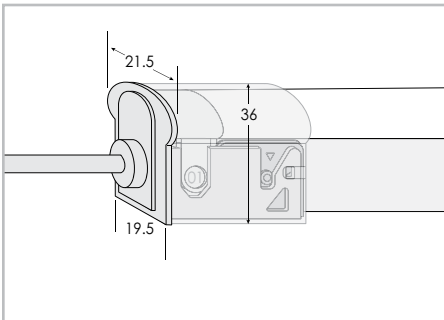
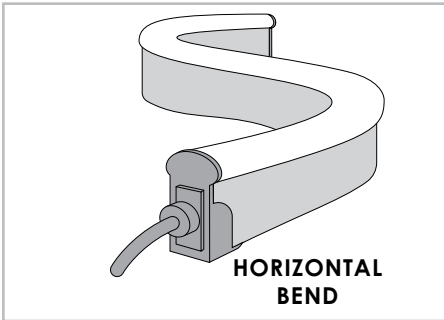
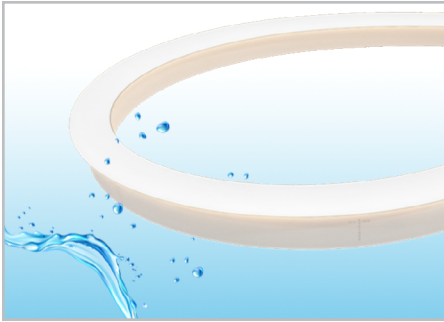


LED Neon Light • Round 4.57 Watt



Standard Snap Connector shown.
Dimensions in millimeters.

| | | | |
|--|---|---|--------------------------|
| Length | Custom Length ¹ cuttable every 3.25" | | |
| Operating Voltage (ov) | 24V DC | | |
| Finish (fin) | WHT | White | |
| Light Colour (lc) Correlated Colour Temperature (CCT) | 2700K | Incandescent White | |
| | 3000K | Warm White | |
| | 3500K | Sand White | |
| | 4000K | Neutral White | |
| | 5000K | Cool White | |
| | CST ² | Orange, Pink, Yellow, Violet See RGB spec sheets for Colour Changing options | |
| Bend (bnd) | HB | Horizontal Bend | |
| Connection (con) ¹ | Snap connectors: ³ | | Injection molded: |
| | IN_AE-CST-OUT_AE-CST | IN_E-30-OUT_E-30 | |
| | IN_AE-CST-OUT_ENDCAP | IN_E-30-OUT_ENDCAP | |
| | IN_AL-CST-OUT_AR-CST | IN_SL-30-OUT_SR-30 | |
| | IN_AL-CST-OUT_ENDCAP | IN_SL-30-OUT_ENDCAP | |
| | IN_AR-CST-OUT_AL-CST | IN_SR-30-OUT_SL-30 | |
| | IN_AR-CST-OUT_ENDCAP | IN_SR-30-OUT_ENDCAP | |
| | IN_AB-CST-OUT_AB-CST | IN_B-30-OUT_B-30 | |
| | IN_AB-CST-OUT_ENDCAP | IN_B-30-OUT_ENDCAP | |
| | Beam Angle (ba) Degrees | 270° | |
| Light Output Lumens | 2700K | 319 | per foot |
| | 3000K | 336 | per foot |
| | 3500K | 349 | per foot |
| | 4000K | 362 | per foot |
| | 5000K | 388 | per foot |
| IP Rating | IP67 | | |
| Dimensions with snap connector Width, Height, Length | W | 0.84" | 21.5 mm |
| | H | 1.41" | 36 mm |
| | L | Specify maximum length in inches ¹ | |
| Watts | 4.57 Watts per foot | | |
| Input Voltage | AC 100V – 240V, 277V external transformer | | |
| Dimmable | Yes With dimmable transformer | | |
| | MLV, ELV, Phase or 0-10V. Please specify at time of order. | | |
| Operating Temperature | -25°C to +50°C -13°F to 122°F | | |
| Life Lumen Maintenance | 50,000 hours | | |

See connections page for alternative connector types and dimensions.

Part Number Configuration

| | | | | | |
|-------------|------------------|-----------|--------------|------------|--|
| NEON | RND_4.57W | HB | 24VDC | WHT | |
|-------------|------------------|-----------|--------------|------------|--|

| Category | Family | Bend (bnd) | Operating Voltage (ov) | Finish (fin) | Light Colour (lc) | Connection (con) |
|----------|-----------|-----------------------|------------------------|--------------|---|--|
| NEON | RND_4.57W | HB Horizontal Bend | 24VDC | WHT | 2700K 3000K 3500K 4000K 5000K CST ² | Snap Connectors: ³ IN_AE-CST-OUT_AE-CST IN_AE-CST-OUT_ENDCAP IN_AL-CST-OUT_AR-CST IN_AL-CST-OUT_ENDCAP IN_AR-CST-OUT_AL-CST IN_AR-CST-OUT_ENDCAP IN_AB-CST-OUT_AB-CST IN_AB-CST-OUT_ENDCAP Injection Molded: IN_E-30-OUT_E-30 IN_E-30-OUT_ENDCAP IN_SL-30-OUT_SR-30 IN_SL-30-OUT_ENDCAP IN_SR-30-OUT_SL-30 IN_SR-30-OUT_ENDCAP IN_B-30-OUT_B-30 IN_B-30-OUT_ENDCAP |



¹ See Connections page(s) for more details. ² SPECIAL ORDER: Available in single colour Orange, Pink, Yellow and Violet.

³ Can be Field Installed.