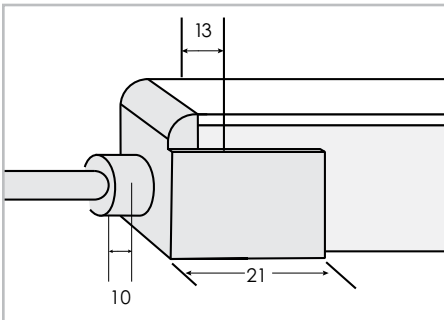
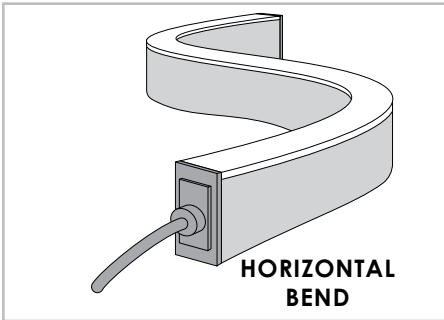
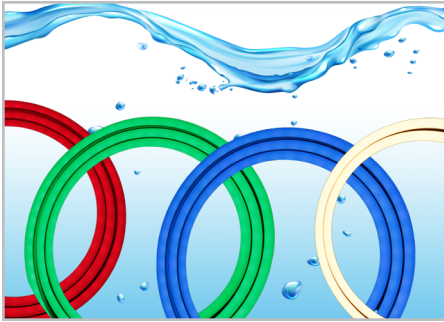


LED Neon Light • Flat 4.57 Watt RGBW IP68



Standard Injection Molded Connector shown. Dimensions in millimeters.

Length	Custom Length ¹ cuttable every 3.25"		
Operating Voltage (ov)	24V DC		
Finish (fin)	WHT White		
Light Colour (lc) Correlated Colour Temperature (CCT)	RGBW2700K RGBW3000K RGBW4000K RGBW5000K	Colour Changing with 2700K Colour Changing with 3000K Colour Changing with 4000K Colour Changing with 5000K	
	Also available in Whites and Single Colours. Please see individual product spec sheets		
Bend (bnd)	HB Horizontal Bend		
Connection (con)¹	Injection molded: IN_E-30-OUT_E-30 IN_E-30-OUT_ENDCAP IN_SL-30-OUT_SR-30 IN_SL-30-OUT_ENDCAP N_SR-30-OUT_SL-30 IN_SR-30-OUT_ENDCAP IN_B-30-OUT_B-30 IN_B-30-OUT_ENDCAP		
Beam Angle (ba) Degrees	160°		
Light Output Lumens	RGBW4000K	302.9	per foot
IP Rating	IP68 ²		
Dimensions with snap connector Width, Height, Length	W	0.76"	19.5 mm
	H	1.08"	27.5 mm
	L	Specify maximum length in inches ¹	
Watts	4.57 Watts per foot		
Input Voltage	AC 100V – 240V, 277V external transformer		

See connections page for alternative connector types and dimensions.

Part Number Configuration

NEON	FLT_4.57W-IP68²	HB	24VDC	WHT		
-------------	-----------------------------------	-----------	--------------	------------	--	--

Category	Family	Bend (bnd)	Operating Voltage (ov)	Finish (fin)	Light Colour (lc)	Connection (con)
NEON	FLT_4.57W-IP68 ²	HB Horizontal Bend	24VDC	WHT	RGBW2700K RGBW3000K RGBW4000K RGBW5000K	Injection Molded: IN_E-30-OUT_E-30 IN_E-30-OUT_ENDCAP IN_SL-30-OUT_SR-30 IN_SL-30-OUT_ENDCAP IN_SR-30-OUT_SL-30 IN_SR-30-OUT_ENDCAP IN_B-30-OUT_B-30 IN_B-30-OUT_ENDCAP

¹ See Connections page(s) for more details.

² SPECIAL ORDER: Please confirm availability. Allow for 6 - 8 weeks lead time.

