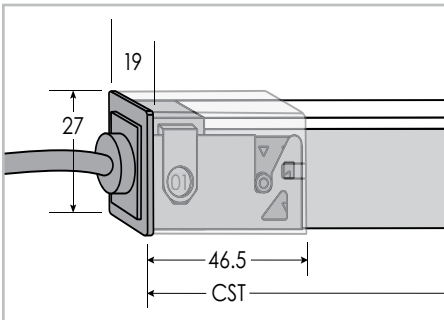
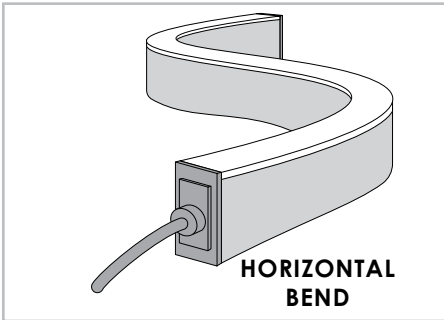
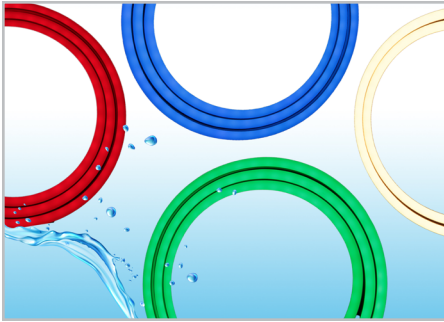


## LED Neon Light • Flat 4.57 Watt RGBW



Standard Snap Connector shown.  
Dimensions in millimeters.

|                                                                  |                                                                                           |                                               |          |
|------------------------------------------------------------------|-------------------------------------------------------------------------------------------|-----------------------------------------------|----------|
| <b>Length</b>                                                    | Custom Length <sup>1</sup> cuttable every 3.25"                                           |                                               |          |
| <b>Operating Voltage (ov)</b>                                    | 24V DC                                                                                    |                                               |          |
| <b>Finish (fin)</b>                                              | WHT White                                                                                 |                                               |          |
| <b>Light Colour (lc)<br/>Correlated Colour Temperature (CCT)</b> | RGBW2700K                                                                                 | Colour Changing with 2700K                    |          |
|                                                                  | RGBW3000K                                                                                 | Colour Changing with 3000K                    |          |
|                                                                  | RGBW4000K                                                                                 | Colour Changing with 4000K                    |          |
|                                                                  | RGBW5000K                                                                                 | Colour Changing with 5000K                    |          |
|                                                                  | Also available in Whites and Single Colours.<br>Please see individual product spec sheets |                                               |          |
| <b>Bend (bnd)</b>                                                | HB Horizontal Bend                                                                        |                                               |          |
| <b>Connection (con)<sup>1</sup></b>                              | <b>Snap connectors:<sup>2</sup></b>                                                       | <b>Injection molded:</b>                      |          |
|                                                                  | IN_AE-CST-OUT_AE-CST                                                                      | IN_E-30-OUT_E-30                              |          |
|                                                                  | IN_AE-CST-OUT_ENDCAP                                                                      | IN_E-30-OUT_ENDCAP                            |          |
|                                                                  | IN_AL-CST-OUT_AR-CST                                                                      | IN_SL-30-OUT_SR-30                            |          |
|                                                                  | IN_AL-CST-OUT_ENDCAP                                                                      | IN_SL-30-OUT_ENDCAP                           |          |
|                                                                  | IN_AR-CST-OUT_AL-CST                                                                      | IN_SR-30-OUT_SL-30                            |          |
|                                                                  | IN_AR-CST-OUT_ENDCAP                                                                      | IN_SR-30-OUT_ENDCAP                           |          |
|                                                                  | IN_AB-CST-OUT_AB-CST                                                                      | IN_B-30-OUT_B-30                              |          |
|                                                                  | IN_AB-CST-OUT_ENDCAP                                                                      | IN_B-30-OUT_ENDCAP                            |          |
| <b>Beam Angle (ba) Degrees</b>                                   | 160°                                                                                      |                                               |          |
| <b>Light Output Lumens</b>                                       | RGBW4000K                                                                                 | 302.9                                         | per foot |
| <b>IP Rating</b>                                                 | IP67                                                                                      |                                               |          |
| <b>Dimensions with snap connector<br/>Width, Height, Length</b>  | W                                                                                         | 0.76"                                         | 19.5 mm  |
|                                                                  | H                                                                                         | 1.08"                                         | 27.5 mm  |
|                                                                  | L                                                                                         | Specify maximum length in inches <sup>1</sup> |          |
| <b>Watts</b>                                                     | 4.57 Watts per foot                                                                       |                                               |          |

See connections page for alternative connector types and dimensions.

## Part Number Configuration

| NEON            | FLT_4.57W     | HB                    | 24VDC                         | WHT                 |                                                  |                                                                                                                                                                                                                                                                                                                                                                                                                                                   |
|-----------------|---------------|-----------------------|-------------------------------|---------------------|--------------------------------------------------|---------------------------------------------------------------------------------------------------------------------------------------------------------------------------------------------------------------------------------------------------------------------------------------------------------------------------------------------------------------------------------------------------------------------------------------------------|
| <b>Category</b> | <b>Family</b> | <b>Bend (bnd)</b>     | <b>Operating Voltage (ov)</b> | <b>Finish (fin)</b> | <b>Light Colour (lc)</b>                         | <b>Connection (con)</b>                                                                                                                                                                                                                                                                                                                                                                                                                           |
| NEON            | FLT_4.57W     | HB<br>Horizontal Bend | 24VDC                         | WHT                 | RGBW2700K<br>RGBW3000K<br>RGBW4000K<br>RGBW5000K | <b>Snap Connectors<sup>2</sup>:</b><br>IN_AE-CST-OUT_AE-CST<br>IN_AE-CST-OUT_ENDCAP<br>IN_AL-CST-OUT_AR-CST<br>IN_AL-CST-OUT_ENDCAP<br>IN_AR-CST-OUT_AL-CST<br>IN_AR-CST-OUT_ENDCAP<br>IN_AB-CST-OUT_AB-CST<br>IN_AB-CST-OUT_ENDCAP<br><br><b>Injection Molded:</b><br>IN_E-30-OUT_E-30<br>IN_E-30-OUT_ENDCAP<br>IN_SL-30-OUT_SR-30<br>IN_SL-30-OUT_ENDCAP<br>IN_SR-30-OUT_SL-30<br>IN_SR-30-OUT_ENDCAP<br>IN_B-30-OUT_B-30<br>IN_B-30-OUT_ENDCAP |



<sup>1</sup> See Connections page(s) for more details. <sup>2</sup> Can be Field Installed.