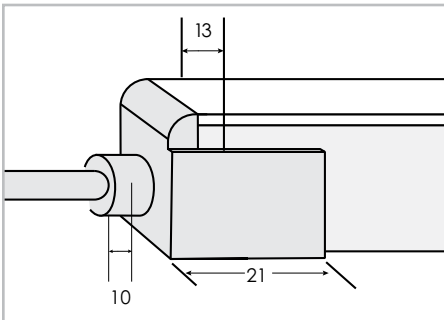
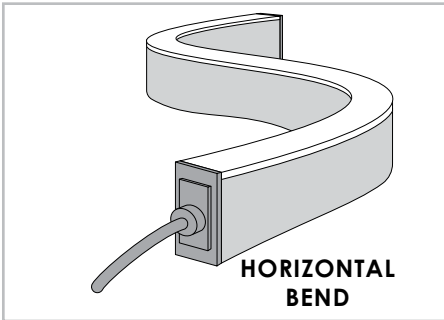
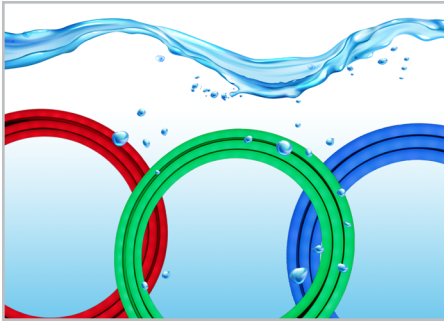


LED Neon Light • Flat 4.57 Watt RGB IP68



Standard Injection Molded Connector shown. Dimensions in millimeters.

Length	Custom Length ¹ cuttable every 3.25"
Operating Voltage (ov)	24V DC
Finish (fin)	WHT White
Light Colour (lc)	RGB Colour Changing
Correlated Colour Temperature (CCT)	Also available in Whites and Single Colours. Please see individual product spec sheets
Bend (bnd)	HB Horizontal Bend
Connection (con) ¹	Injection molded: IN_E-30-OUT_E-30 IN_E-30-OUT_ENDCAP IN_SL-30-OUT_SR-30 IN_SL-30-OUT_ENDCAP N_SR-30-OUT_SL-30 IN_SR-30-OUT_ENDCAP IN_B-30-OUT_B-30 IN_B-30-OUT_ENDCAP
Beam Angle (ba) Degrees	160°
Light Output Lumens	RGB White 302.9 per foot
IP Rating	IP68 ²
Dimensions with snap connector Width, Height, Length	W 0.76" 19.5 mm H 1.08" 27.5 mm L Specify maximum length in inches ¹
Watts	4.57 Watts per foot
Input Voltage	AC 100V – 240V, 277V external transformer
Dimmable	Yes With dimmable transformer MLV, ELV, Phase or 0-10V. Please specify at time of order.
Operating Temperature	-25°C to +50°C -13°F to 122°F
Life Lumen Maintenance	50,000 hours

See connections page for alternative connector types and dimensions.

Part Number Configuration

NEON	FLT_4.57W-IP68 ²	HB	24VDC	WHT	RGB	
Category	Family	Bend (bnd)	Operating Voltage (ov)	Finish (fin)	Light Colour (lc)	Connection (con)
NEON	FLT_4.57W-IP68 ²	HB Horizontal Bend	24VDC	WHT	RGB	Injection Molded: IN_E-30-OUT_E-30 IN_E-30-OUT_ENDCAP IN_SL-30-OUT_SR-30 IN_SL-30-OUT_ENDCAP IN_SR-30-OUT_SL-30 IN_SR-30-OUT_ENDCAP IN_B-30-OUT_B-30 IN_B-30-OUT_ENDCAP

¹ See Connections page(s) for more details.

² SPECIAL ORDER: Please confirm availability. Allow for 6 - 8 weeks lead time.

