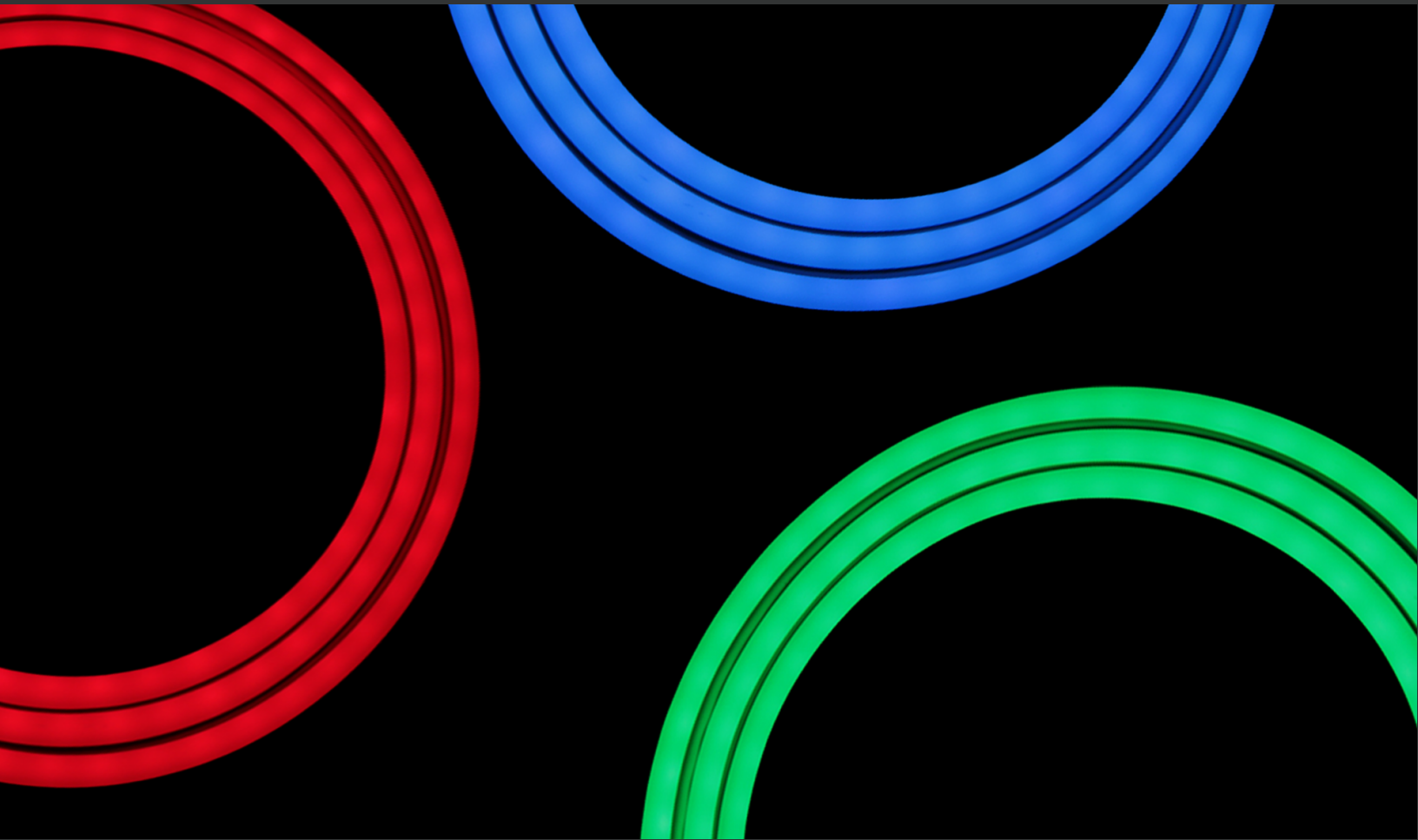


LED Neon Light

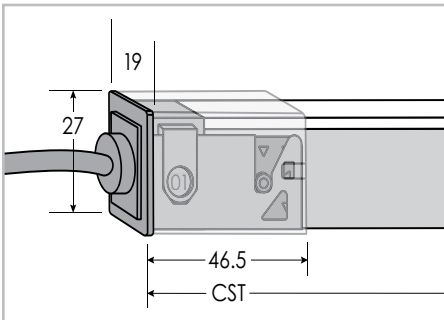
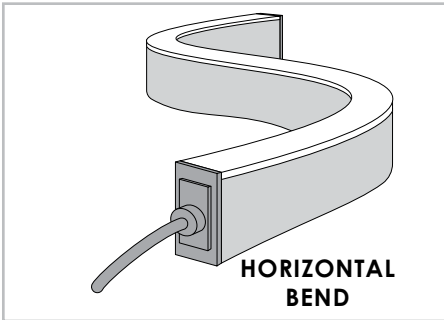
Flat 4.57 Watt RGB



Flat 4.57 Watt RGB



LED Neon Light • Flat 4.57 Watt RGB



Standard Snap Connector shown.
Dimensions in millimeters.

Length	Custom Length ¹ cuttable every 3.25"		
Operating Voltage (ov)	24V DC		
Finish (fin)	WHT	White	
Light Colour (lc)	RGB	Colour Changing	
Correlated Colour Temperature (CCT)	Also available in Whites and Single Colours. Please see individual product spec sheets		
Bend (bnd)	HB	Horizontal Bend	
Connection (con) ¹	Snap connectors:² IN_AE-CST-OUT_AE-CST IN_E-30-OUT_E-30 IN_AE-CST-OUT_ENDCAP IN_E-30-OUT_ENDCAP IN_AL-CST-OUT_AR-CST IN_SL-30-OUT_SR-30 IN_AL-CST-OUT_ENDCAP IN_SL-30-OUT_ENDCAP IN_AR-CST-OUT_AL-CST IN_SR-30-OUT_SL-30 IN_AR-CST-OUT_ENDCAP IN_SR-30-OUT_ENDCAP IN_AB-CST-OUT_AB-CST IN_B-30-OUT_B-30 IN_AB-CST-OUT_ENDCAP IN_B-30-OUT_ENDCAP		
Beam Angle (ba) Degrees	160°		
Light Output Lumens	RGB White	302.9	per foot
IP Rating	IP67		
Dimensions with snap connector Width, Height, Length	W	0.76"	19.5 mm
	H	1.08"	27.5 mm
	L	Specify maximum length in inches ¹	
Watts	4.57 Watts per foot		
Input Voltage	AC 100V – 240V, 277V external transformer		
Dimmable	Yes With dimmable transformer MLV, ELV, Phase or 0-10V. Please specify at time of order.		
Operating Temperature	-25°C to +50°C -13°F to 122°F		
Life Lumen Maintenance	50,000 hours		

See connections page for alternative connector types and dimensions.

Part Number Configuration

NEON	FLT_4.57W	HB	24VDC	WHT	RGB
-------------	------------------	-----------	--------------	------------	------------

Category	Family	Bend (bnd)	Operating Voltage (ov)	Finish (fin)	Light Colour (lc)	Connection (con)
NEON	FLT_4.57W	HB Horizontal Bend	24VDC	WHT	RGB	Snap Connectors²: IN_AE-CST-OUT_AE-CST IN_E-30-OUT_E-30 IN_AE-CST-OUT_ENDCAP IN_E-30-OUT_ENDCAP IN_AL-CST-OUT_AR-CST IN_SL-30-OUT_SR-30 IN_AL-CST-OUT_ENDCAP IN_SL-30-OUT_ENDCAP IN_AR-CST-OUT_AL-CST IN_SR-30-OUT_SL-30 IN_AR-CST-OUT_ENDCAP IN_SR-30-OUT_ENDCAP IN_AB-CST-OUT_AB-CST IN_B-30-OUT_B-30 IN_AB-CST-OUT_ENDCAP IN_B-30-OUT_ENDCAP

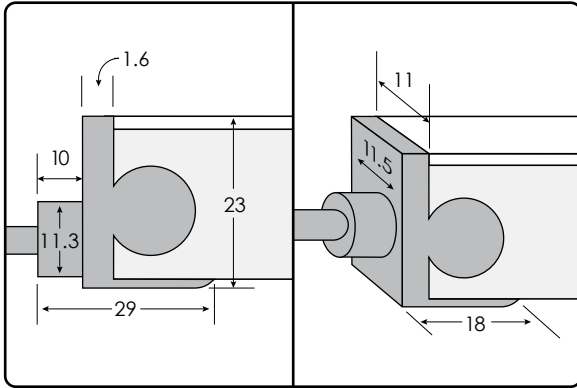


¹ See Connections page(s) for more details. ² Can be Field Installed.



LED Neon Light • Flat 4.57 Watt RGB Injection Molded Options

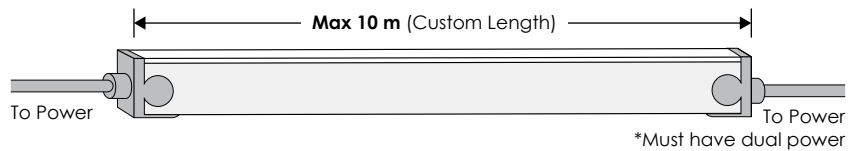
End Connector



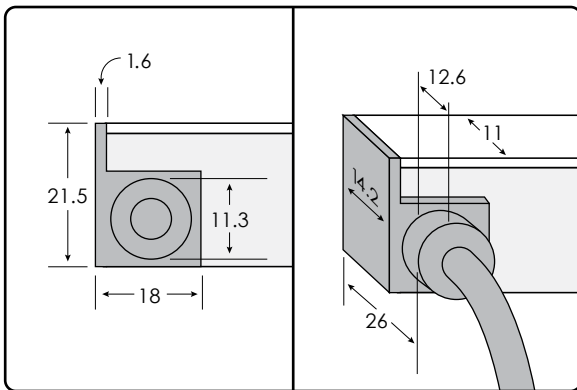
IN_E-30-OUT_ENDCAP



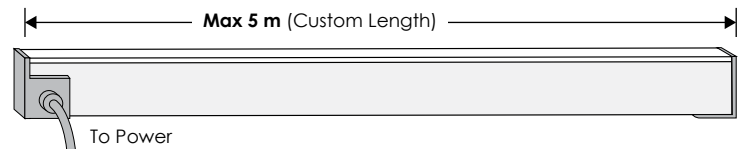
IN_E-30-OUT_E-30



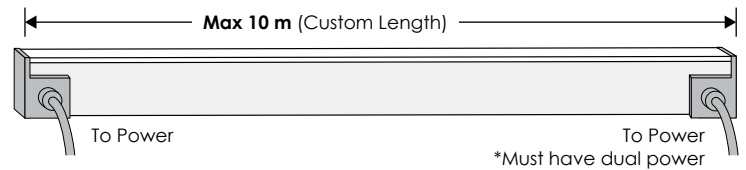
Side Connector



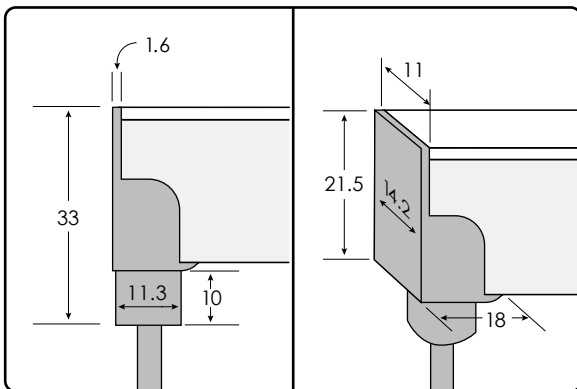
IN_SL-30-OUT_ENDCAP / IN_SR-30-OUT_ENDCAP



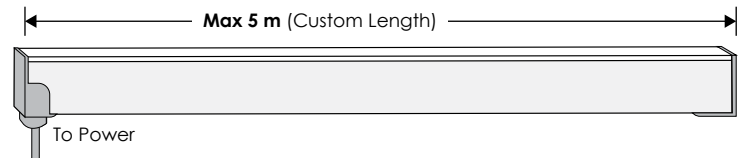
IN_SL-30-OUT_SR-30 / IN_SR-30-OUT_SL-30



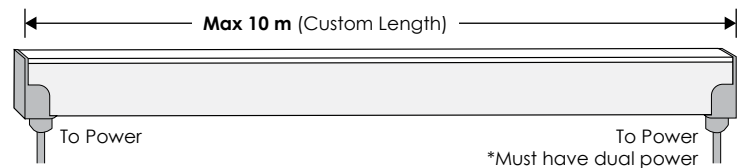
Bottom Connector



IN_B-30-OUT_ENDCAP



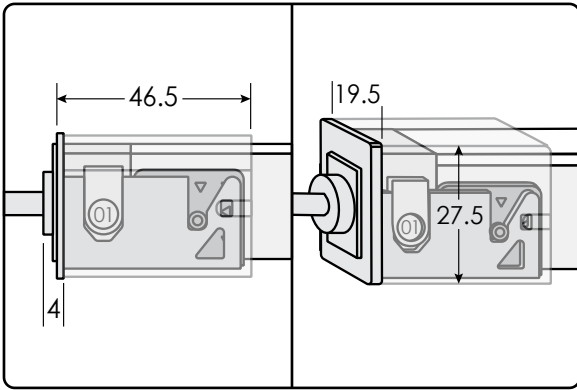
IN_B-30-OUT_B-30



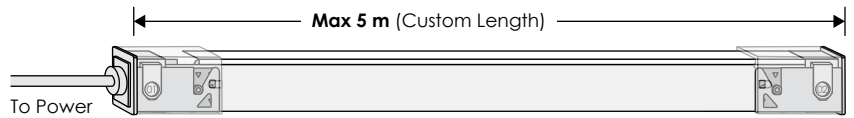


LED Neon Light • Flat 4.57 Watt RGB Snap Connection Options

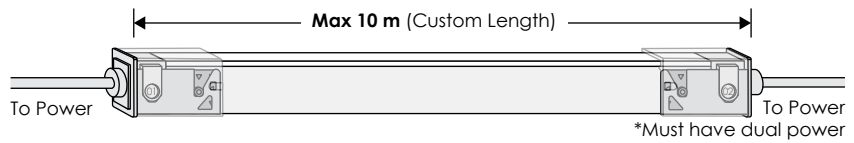
End Connector



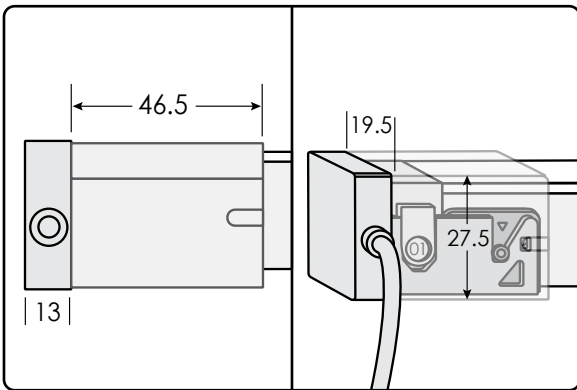
IN_AE-CST-OUT_ENDCAP



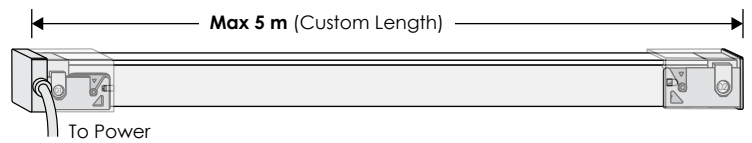
IN_AE-CST-OUT_AE-CST



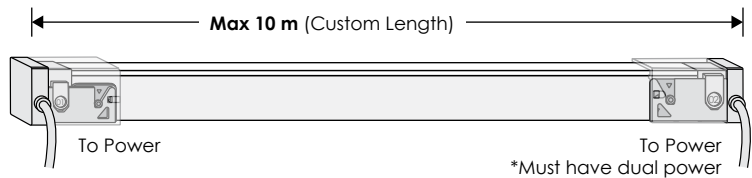
Side Connector



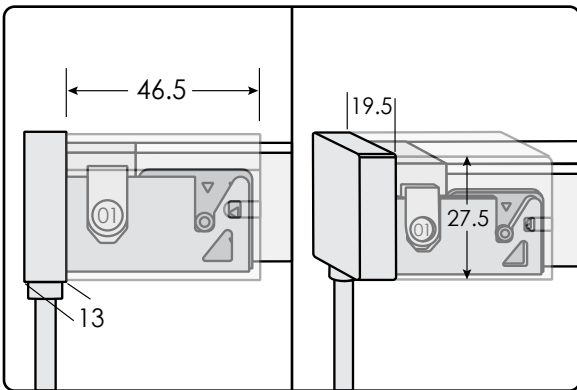
IN_AL-CST-OUT_ENDCAP / IN_AR-CST-OUT_ENDCAP



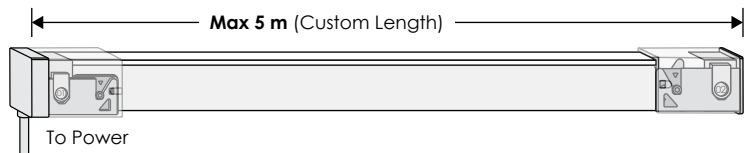
IN_AL-CST-OUT_AR-CST / IN_AR-CST-OUT_AL-CST



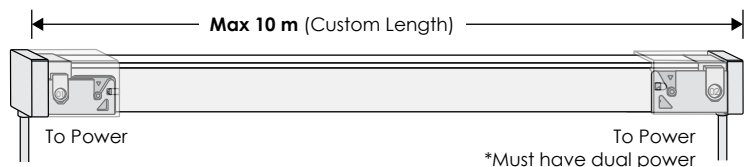
Bottom Connector



IN_AB-CST-OUT_ENDCAP



IN_AB-CST-OUT_AB-CST

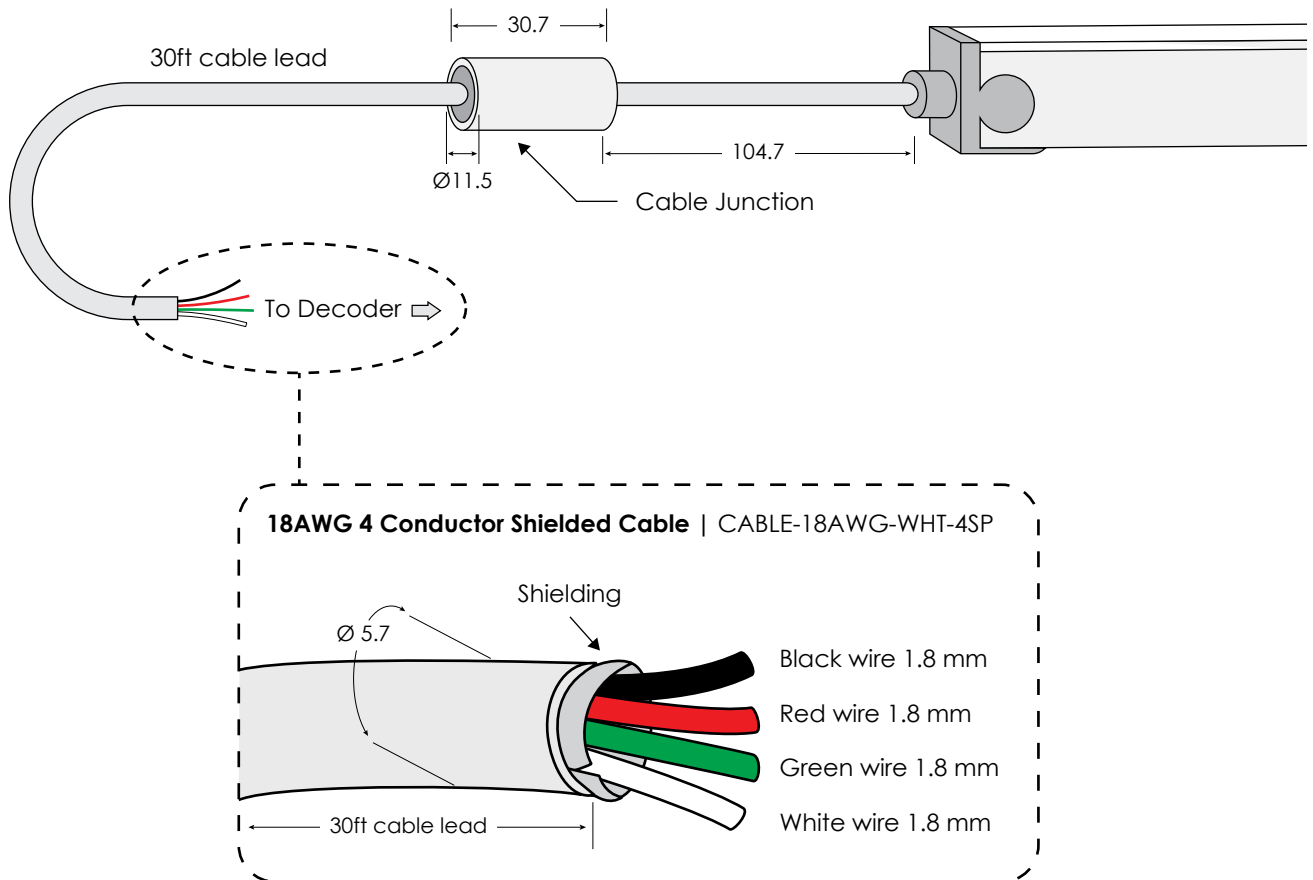




LED Neon Light • Flat 4.57 Watt RGB Cable Options for Injection Molded Connection

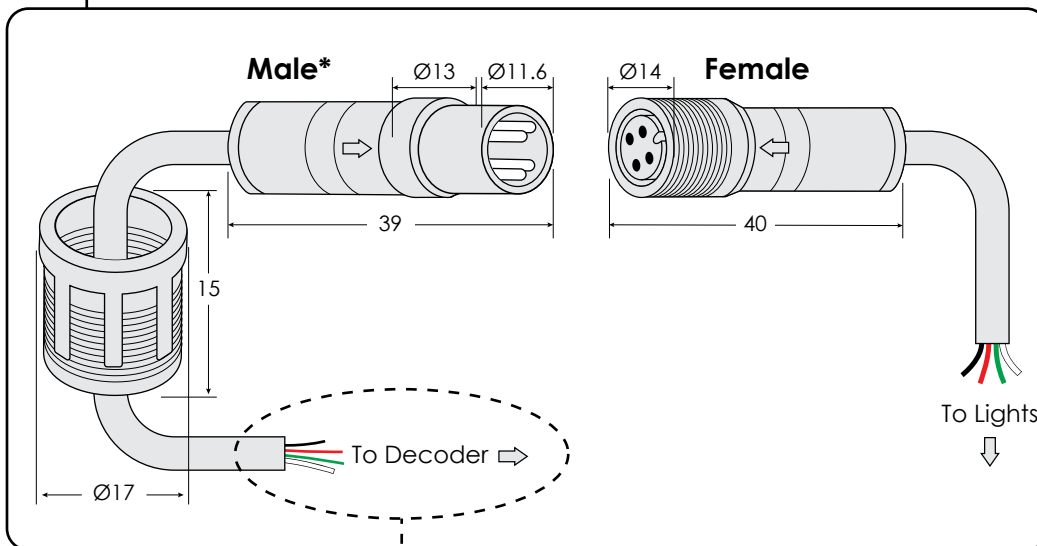
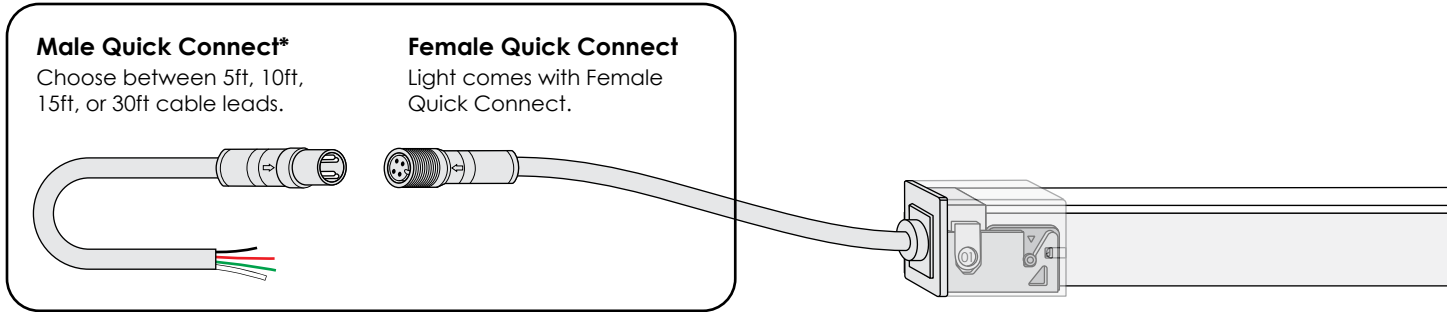
Hardwire

With standard 30ft cable.

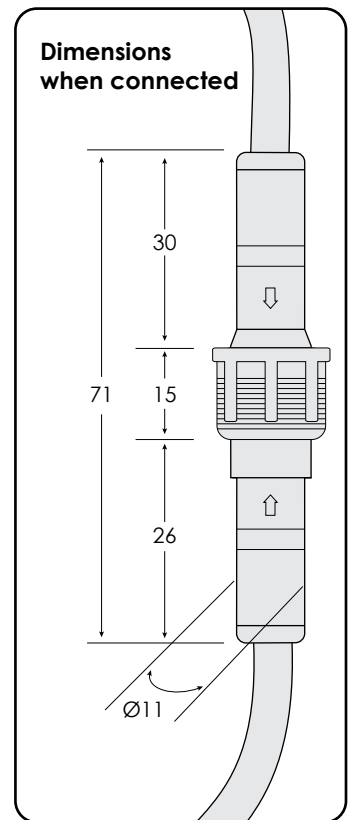




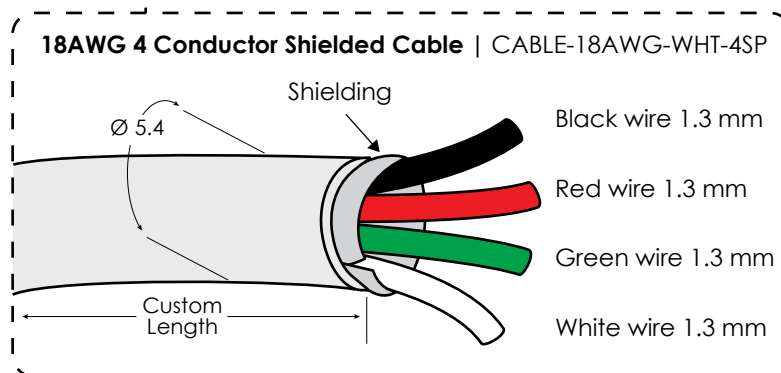
LED Neon Light • Flat 4.57 Watt RGB Cable Options for Snap Connection



Dimensions in millimeters



Dimensions in millimeters



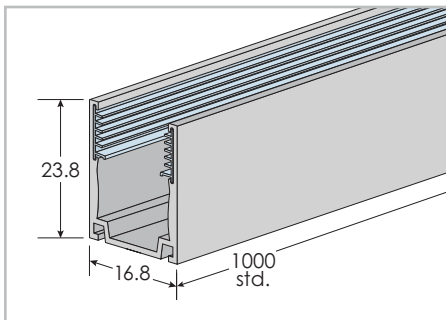
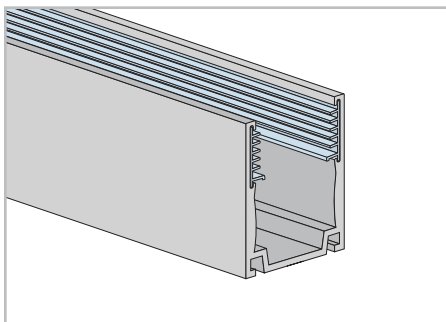
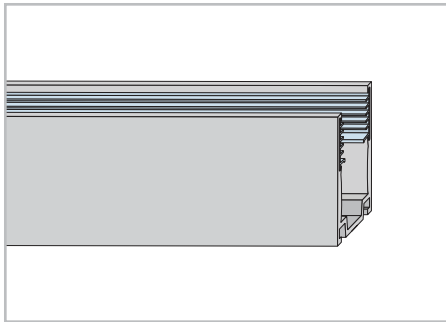
* Cable with Male Quick Connect sold separately.

- CABLE-POWER-5FT-3.5M03-18AWG-WHT-4SP
- CABLE-POWER-10FT-3.5M03-18AWG-WHT-4SP
- CABLE-POWER-15FT-3.5M03-18AWG-WHT-4SP
- CABLE-POWER-30FT-3.5M03-18AWG-WHT-4SP



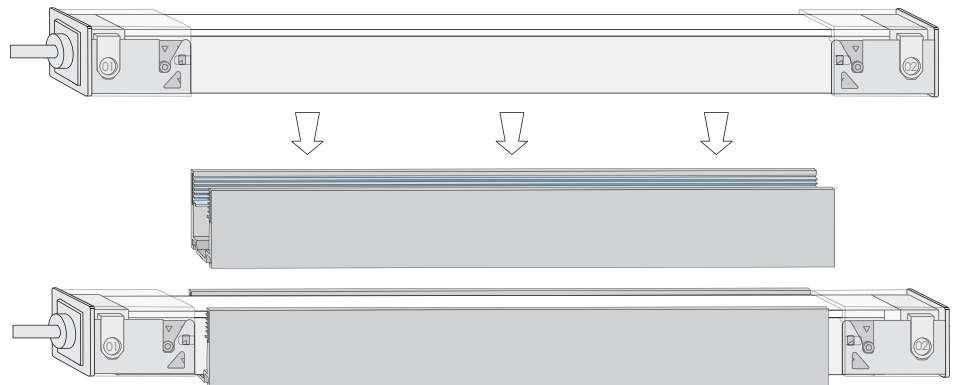


LED Track • Neon 1724 Self-Locking



Dimensions in millimeters

Finish (fin)	SIL Silver
Lens (ln)	N None
Custom Length	Custom Track lengths available Please specify length in inches Standard length 1 m (39"), maximum 2.5 m (98")
Housing	Aluminum Alloy
Compatible Lights	Flat 4.57W LED Neon Light NEON-FLT_4.57W-HB-ov-fin-lc-con Round 4.57W LED Neon Light NEON-RND_4.57W-HB-ov-fin-lc-con Round High Temperature 2.2W LED Neon Light NEON-RNDHT_2.2W-HB-24VDC-WHT-lc-con



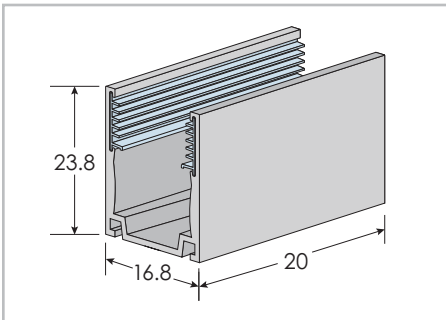
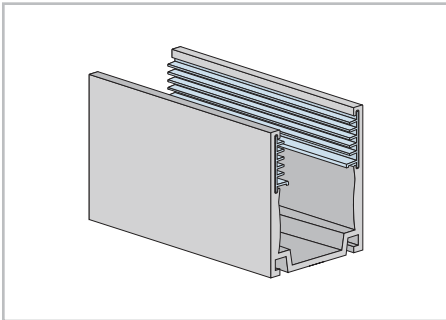
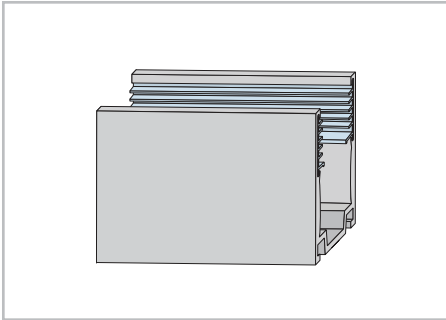
Part Number Configuration

TRACK	NEON-1724SL3	CST	SIL	N
Category	Family	Length	Finish	Lens
TRACK	NEON-1724SL3	CST Custom Length	SIL Silver	N None



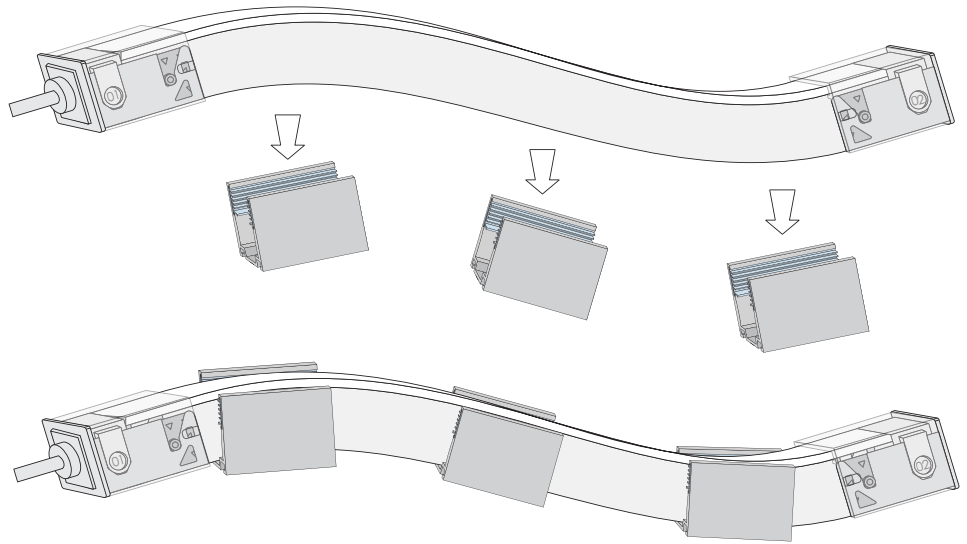


LED Clip • Neon 1724 Self-Locking



Dimensions in millimeters

Finish (fin)	SIL Silver
Lens (ln)	N None
Length	20 mm 0.78 Inches (Tolerance +/- 0.3mm)
Housing	Aluminum Alloy
Compatible Lights	Flat 4.57W LED Neon Light NEON-FLT_4.57W-HB-ov-fin-lc-con
	Round 4.57W LED Neon Light NEON-RND_4.57W-HB-ov-fin-lc-con
	Round High Temperature 2.2W LED Neon Light NEON-RNDHT_2.2W-HB-24VDC-WHT-lc-con



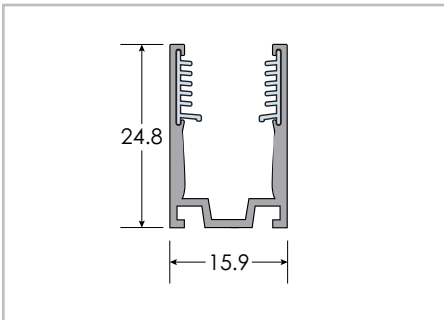
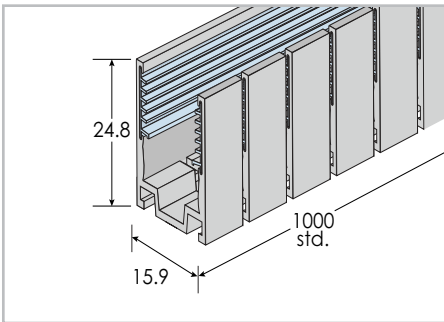
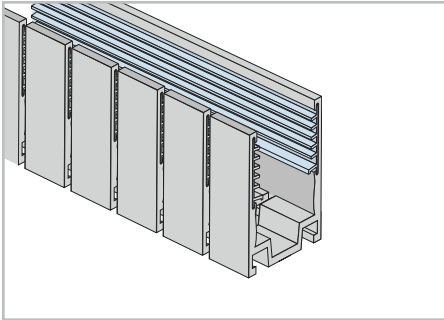
Part Number Configuration

CLIP	NEON-1724SL3	20MM	SIL	N
Category	Family	Length	Finish	Lens
CLIP	NEON-1724SL3	20MM 0.78 Inches	SIL Silver	N None



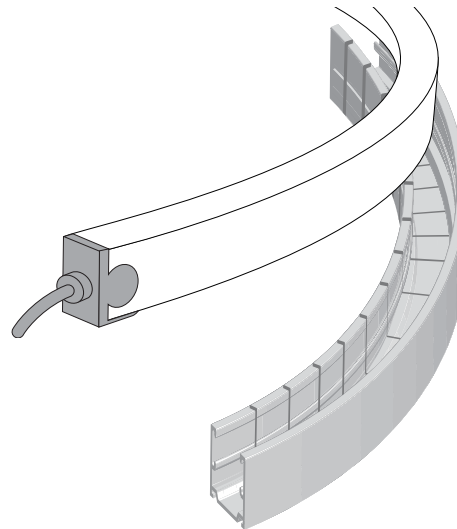


LED Track • Neon 1724 Self-Locking Horizontal Bend



Dimensions in millimeters

Finish (fin)	SIL Silver
Lens (ln)	N None
Custom Length	Custom Track lengths available Please specify length in inches Standard length 1 m (39"), maximum 2.5 m (98")
Housing	Aluminum Alloy
Compatible Lights	Flat 4.57W LED Neon Light NEON-FLT_4.57W-HB-ov-fin-lc-con Round 4.57W LED Neon Light NEON-RND_4.57W-HB-ov-fin-lc-con Round High Temperature 2.2W LED Neon Light NEON-RNDHT_2.2W-HB-24VDC-WHT-lc-con



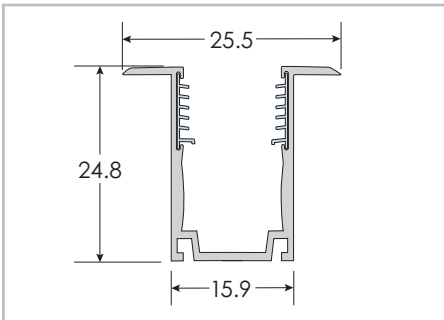
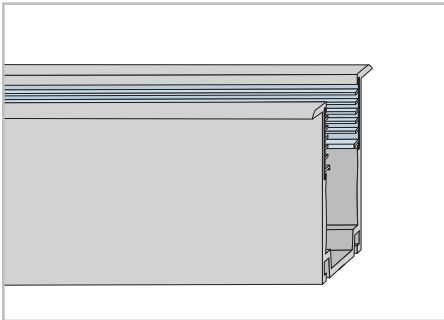
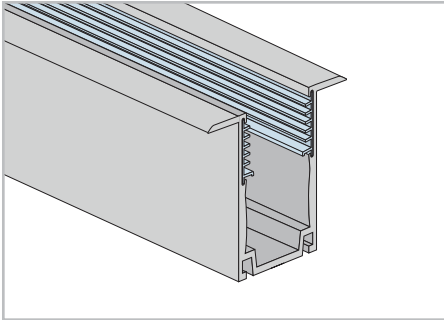
Part Number Configuration

TRACK	NEON-1724SL3-H_BND	CST	SIL	N
Category	Family	Length	Finish	Lens
TRACK	NEON-1724SL3-H_BND	CST Custom Length	SIL Silver	N None





LED Track • Neon 1724 Self-Locking Recessed



Dimensions in millimeters

Finish (fin)	SIL Silver
Lens (ln)	N None
Custom Length	Custom Track lengths available Please specify length in inches Standard length 1 m (39"), maximum 2.5 m (98")
Housing	Aluminum Alloy
Compatible Lights	Flat 4.57W LED Neon Light NEON-FLT_4.57W-HB-ov-fin-lc-con Round 4.57W LED Neon Light NEON-RND_4.57W-HB-ov-fin-lc-con Round High Temperature 2.2W LED Neon Light NEON-RNDHT_2.2W-HB-24VDC-WHT-lc-con



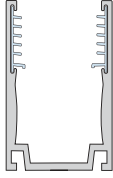
Part Number Configuration

TRACK	NEON-1724SL3-REC	CST	SIL	N
Category	Family	Length	Finish	Lens
TRACK	NEON-1724SL3-REC	CST Custom Length	SIL Silver	N None





LED Track/Clip • Neon 1724 Self-Locking Mounting Guide

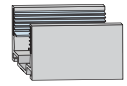


Track

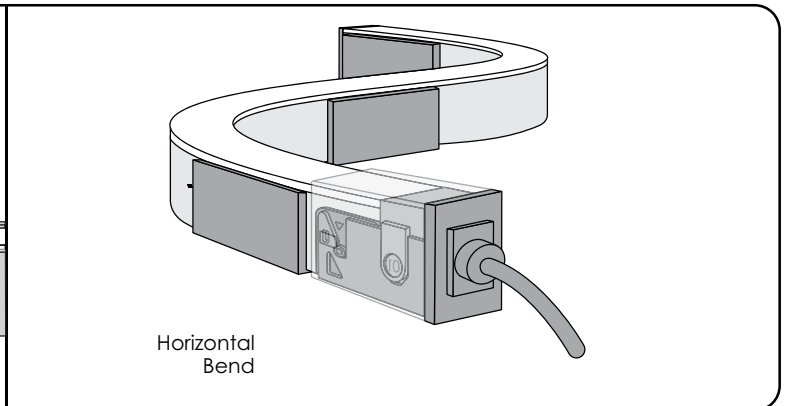
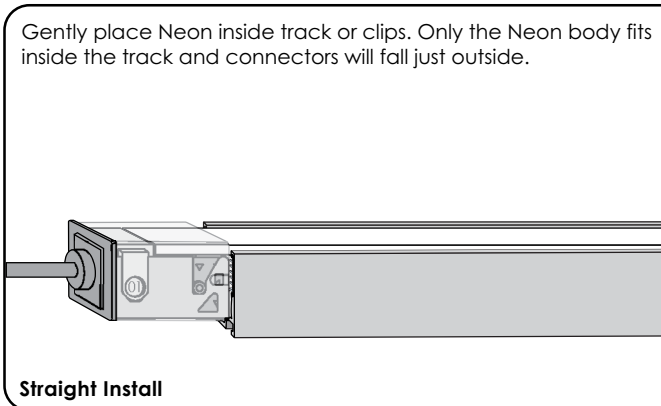
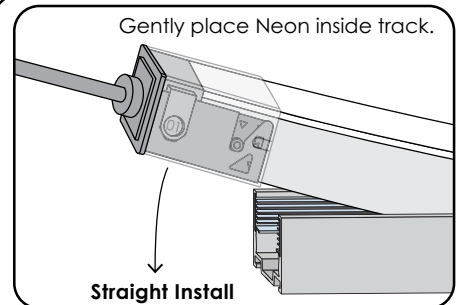
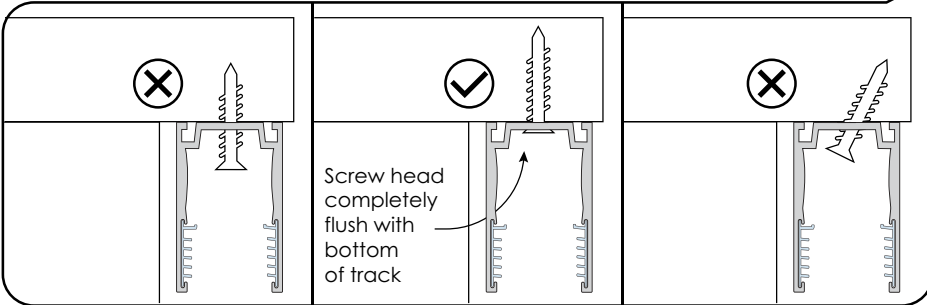
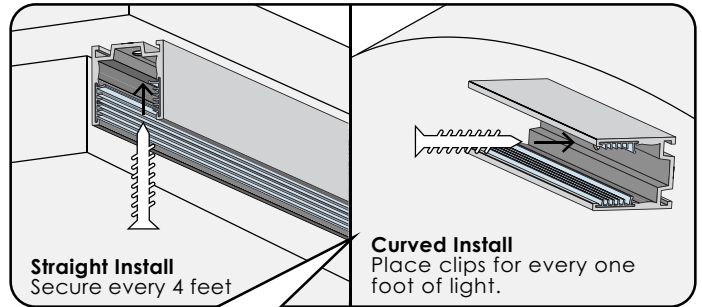
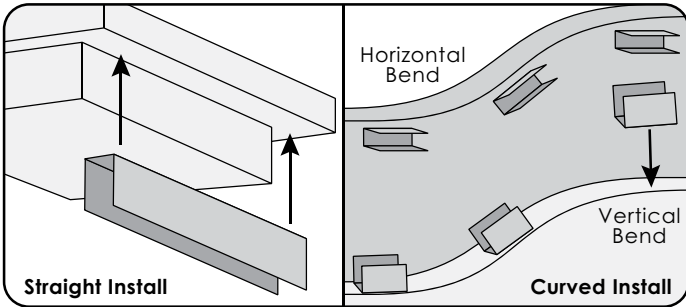
Mount LED Neon lights in long lengths of track to achieve straight installations **OR** multiple clips along a rounded surface for curved installations



1 meter (2 meter length available as special order) (field cuttable to custom lengths)

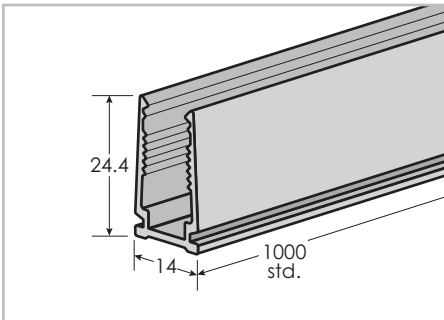
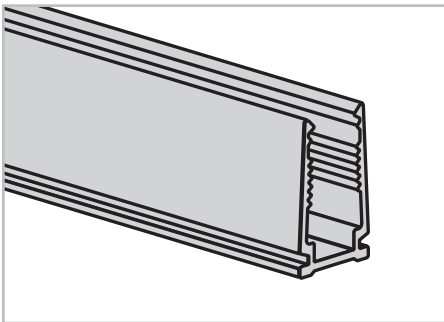
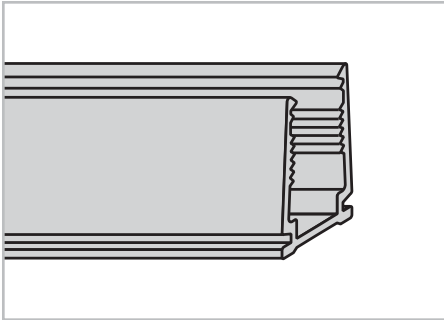


20 mm

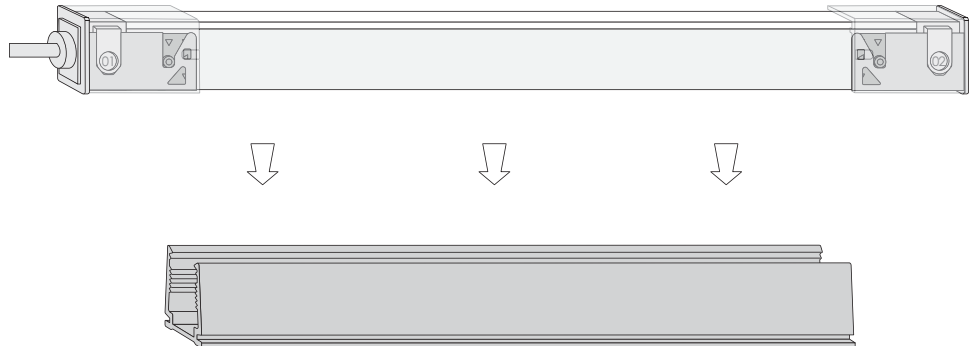




LED Track • Neon 1724 PVC



Finish (fin)	WHT White
Lens (ln)	N None
Custom Length	Custom Track lengths available Please specify length in inches Standard length 1 m (39"), maximum 2 m (78")
Housing	PVC
Compatible Lights	Flat 4.57W LED Neon Light NEON-FLT_4.57W-HB-ov-fin-lc-con Round 4.57W LED Neon Light NEON-RND_4.57W-HB-ov-fin-lc-con Round High Temperature 2.2W LED Neon Light NEON-RNDHT_2.2W-HB-24VDC-WHT-lc-con
Installation Note	No self-locking feature Recommended for undermount installations, use silicone to secure light into track.



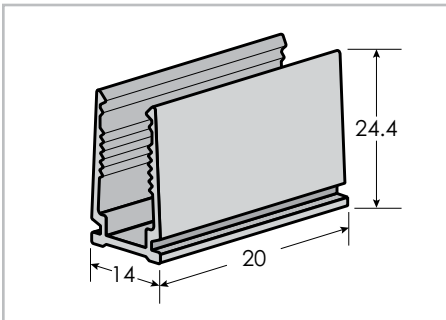
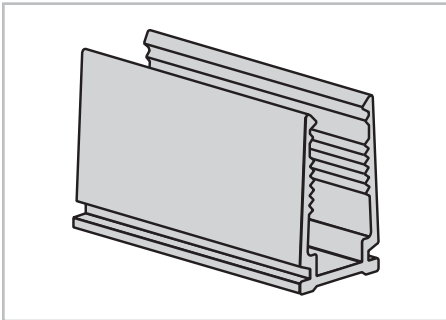
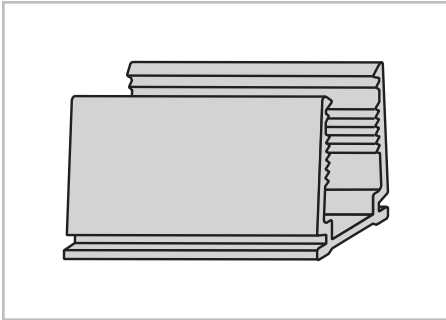
Part Number Configuration

TRACK	NEON-1724PVC	CST	WHT	N
Category	Family	Length	Finish	Lens
TRACK	NEON-1724PVC	CST Custom Length	WHT White	N None

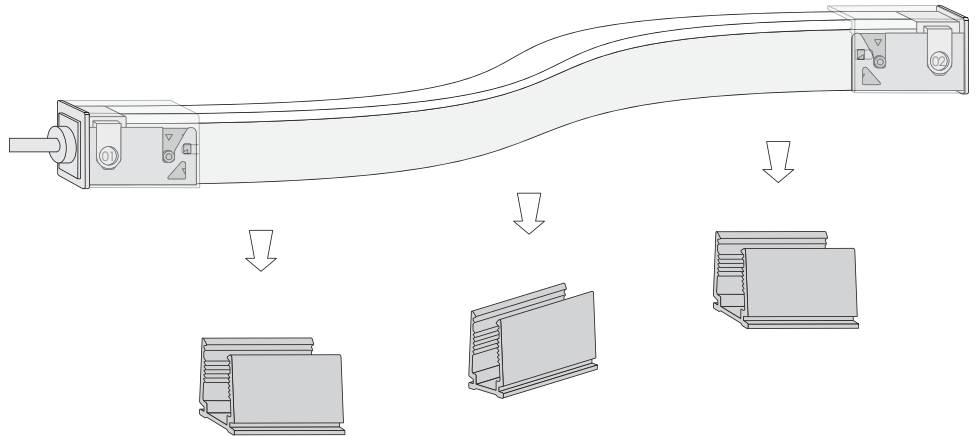




LED Clip • Neon 1724 PVC



Finish (fin)	WHT White
Lens (ln)	N None
Length	20 mm 0.78 Inches (Tolerance +/- 0.3mm)
Housing	Plastic
Compatible Lights	Flat 4.57W LED Neon Light NEON-FLT_4.57W-HB-ov-fin-lc-con Round 4.57W LED Neon Light NEON-RND_4.57W-HB-ov-fin-lc-con Round High Temperature 2.2W LED Neon Light NEON-RNDHT_2.2W-HB-24VDC-WHT-lc-con
Installation Note	No self-locking feature Not recommended for undermount installations



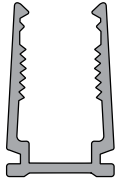
Part Number Configuration

CLIP	NEON-1724PVC	20MM	WHT	N
Category	Family	Length	Finish	Lens
CLIP	NEON-1724PVC	20MM 0.78 Inches	WHT White	N None





LED Track/Clip • Neon 1724 PVC Mounting Guide

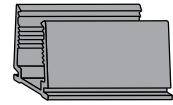


Track

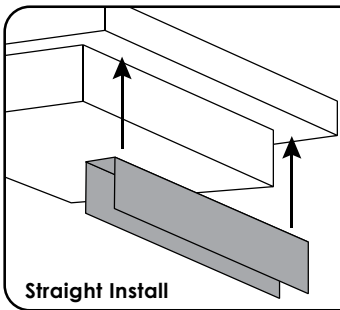
Mount LED Neon lights in long lengths of track to achieve straight installations **OR** multiple clips along a rounded surface for curved installations



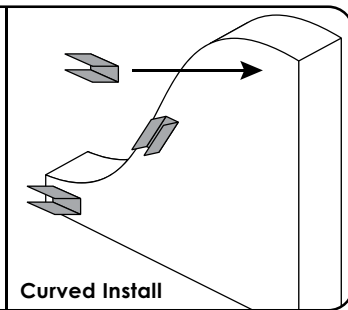
1 meter (2 meter length available as special order)
(field cuttable to custom lengths)



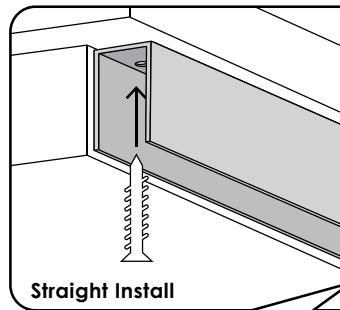
20 mm



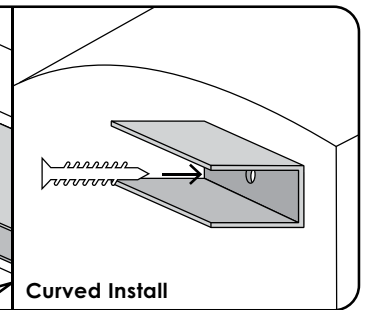
Straight Install



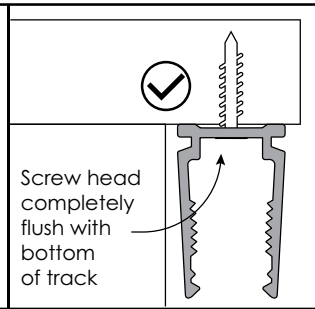
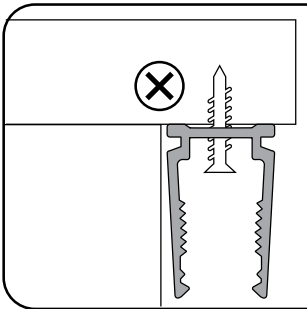
Curved Install



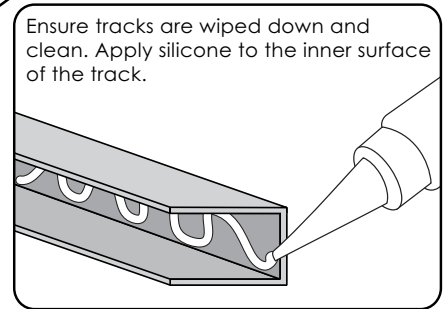
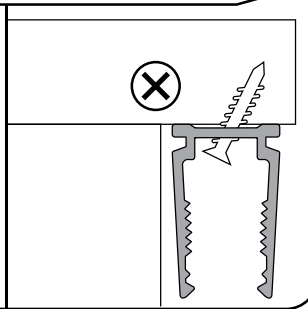
Straight Install



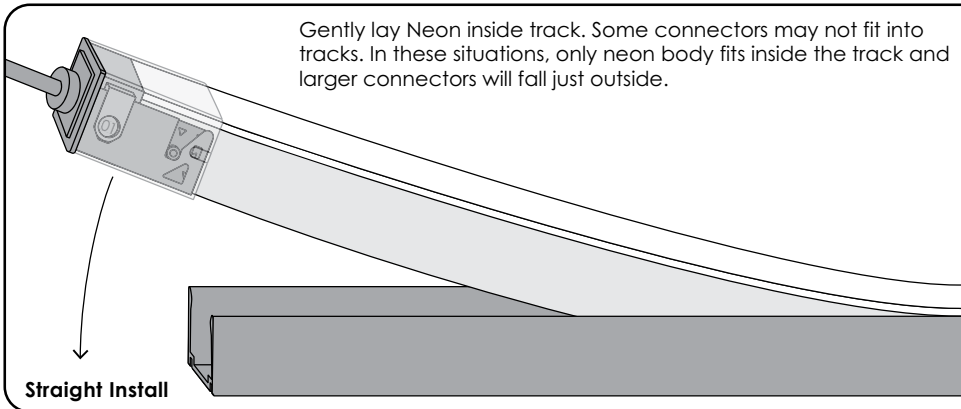
Curved Install



Screw head completely flush with bottom of track

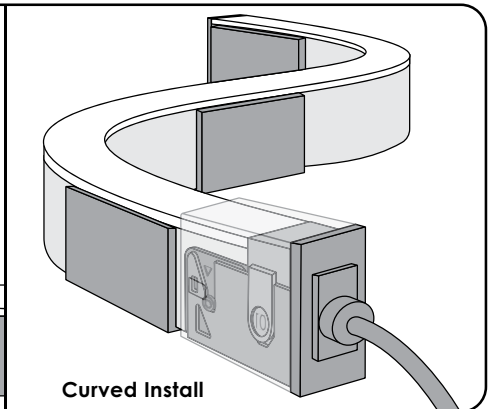


Ensure tracks are wiped down and clean. Apply silicone to the inner surface of the track.



Straight Install

Gently lay Neon inside track. Some connectors may not fit into tracks. In these situations, only neon body fits inside the track and larger connectors will fall just outside.



Curved Install





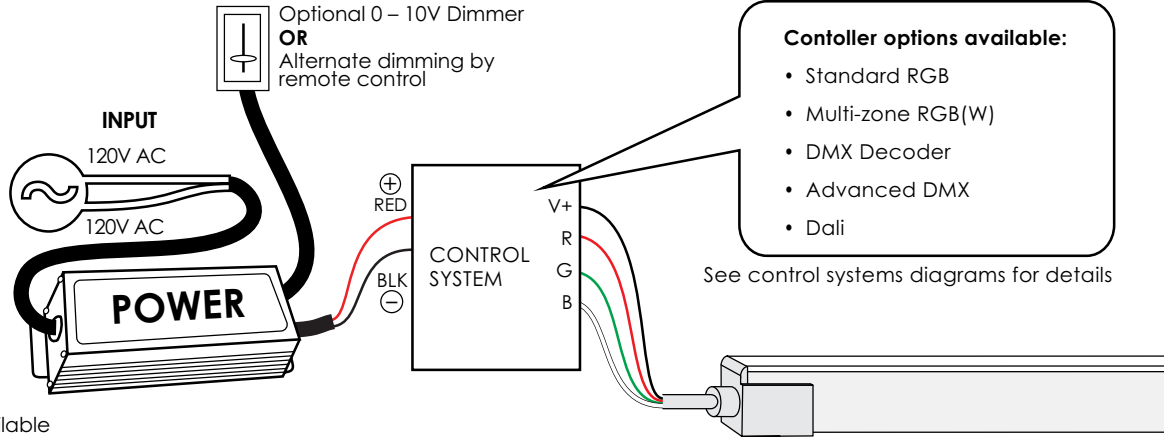
LED Neon • Flat 4.57 Watt RGB Wiring Instructions

RGB WIRING

To Start:

You will need:

- Maresettes
- Clear silicone
- SGI LED Transformer(s)
- SGI LED Neon Light(s)
- 18 AWG 4 conductor shielded cable



* Non-dimmable drivers are available

**Shown with injection molded end connector

NEON-FLT_4.57W-HB-24VDC-fin-lc-con – POWER-21-24VDC-watt DIMMABLE

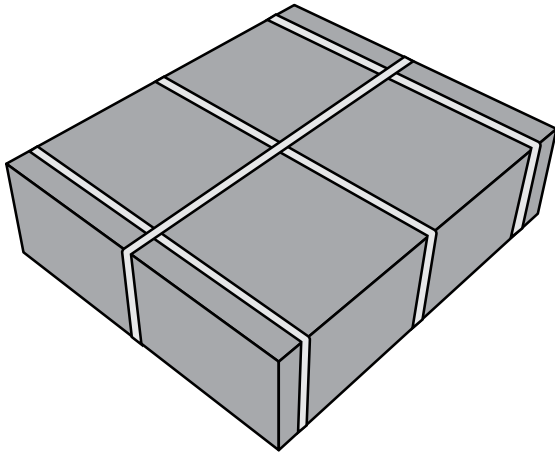
Power Supply	20 Watt Class 2	40 Watt Class 2	60 Watt Class 2	96 Watt Class 2	150 Watt Class 1	200 Watt Class 1	300 Watt Class 1
Max ft of light¹	4 ft	7 ft	11 ft	17 ft	26 ft	35 ft*	53 ft*
Max cable distance between power & light	12AWG >300ft	12AWG 189ft	12AWG 126ft	12AWG 68ft	12AWG 46ft	12AWG 35ft	12AWG 23ft
	14AWG 238ft	14AWG 119ft	14AWG 79ft	14AWG 43ft	14AWG 29ft	14AWG 21ft	14AWG 14ft
	16AWG 149ft	16AWG 74ft	16AWG 49ft	16AWG 27ft	16AWG 18ft	16AWG 13ft	16AWG 9ft
	18AWG 94ft	18AWG 47ft	18AWG 31ft	18AWG 17ft	18AWG 11ft	18AWG 9ft	18AWG 6ft

* Every 32 linear feet of light must be home-run to transformer. **All installations in North America must follow Class 2 requirements.

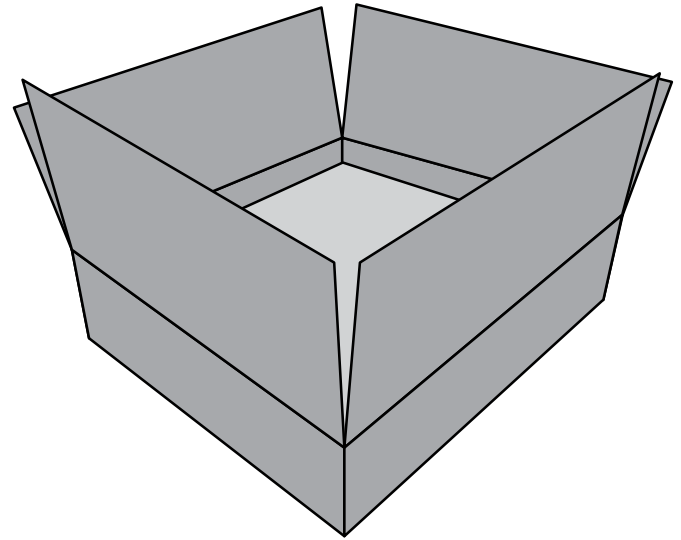
¹At 80% capacity



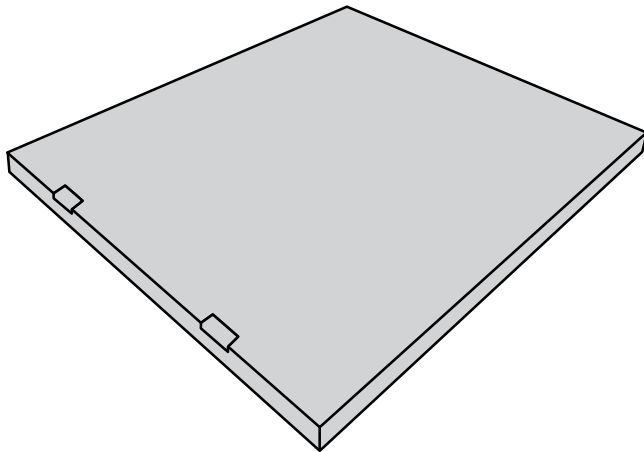
LED Neon • Flat 4.57 Watt RGB Handling Guide



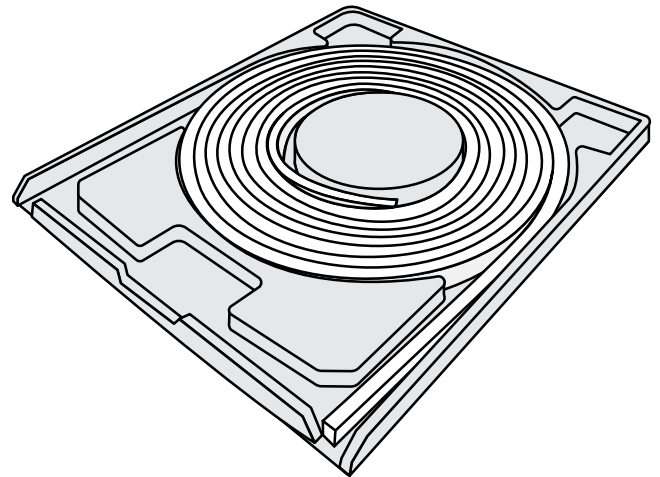
LED Neon lights are shipped in cartons. Carefully cut open cartons. Do not cut deeply, as the contents are packed tightly against the carton lid to prevent movement during shipping.



Each shipping carton can fit one to four trays.



Important: Keep trays flat. Placing trays on their sides can cause contents to become unravelled. Each tray can fit multiple LED Neon strips, depending on overall length. Slide out plastic tray onto flat surface.



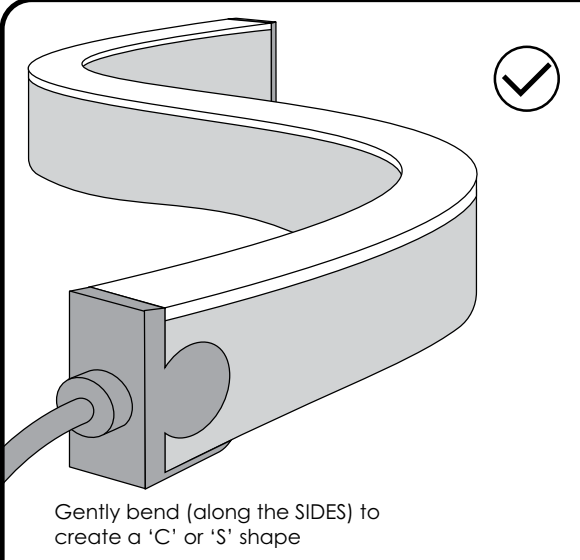
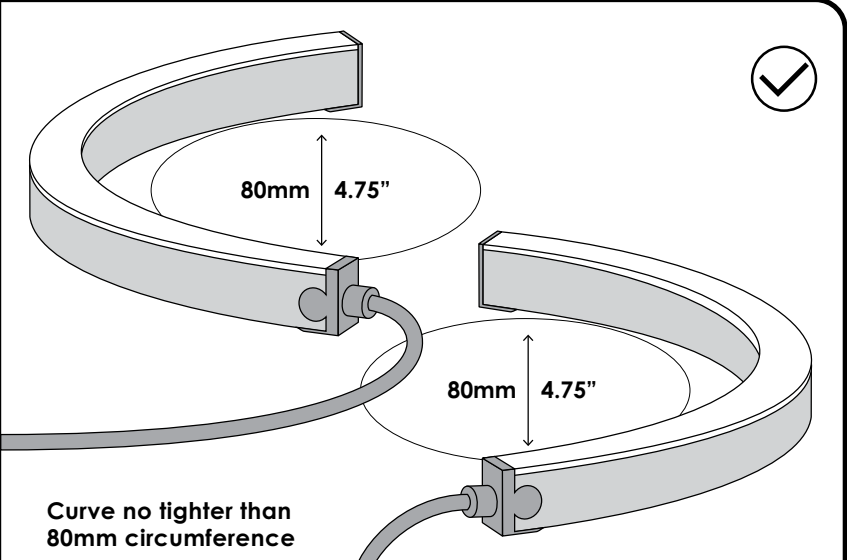
Remove LED Neon light by carefully lifting from the plastic holding tray.

NOTE: PLEASE FOLLOW HANDLING INSTRUCTIONS (NEXT PAGE) CAREFULLY. IMPROPER HANDLING CAN DAMAGE LIGHTS AND VOID WARRANTY.



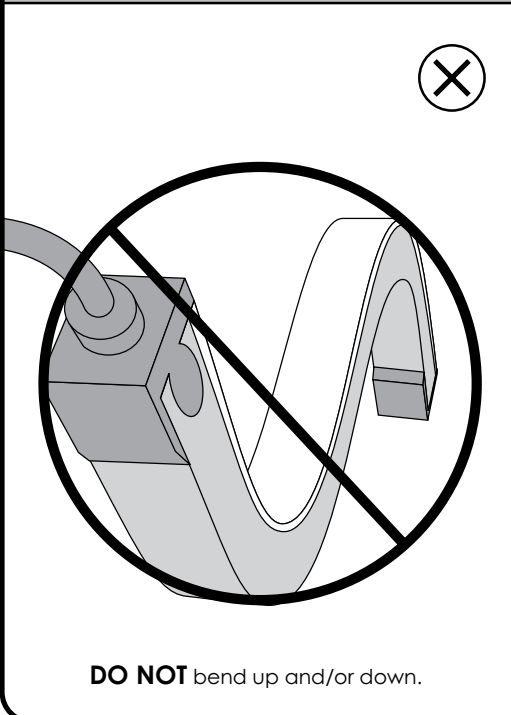
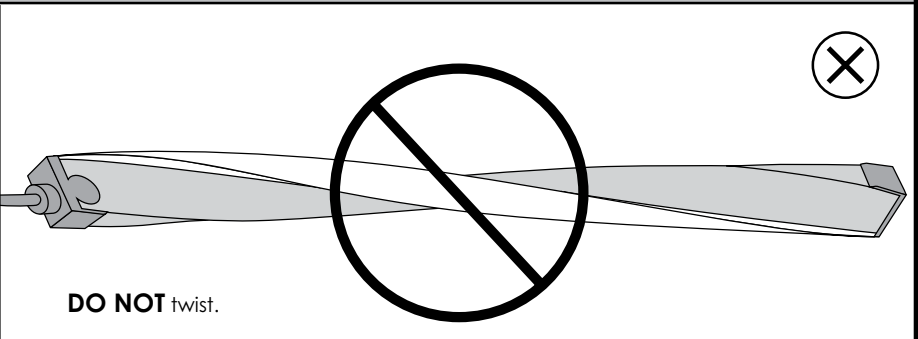
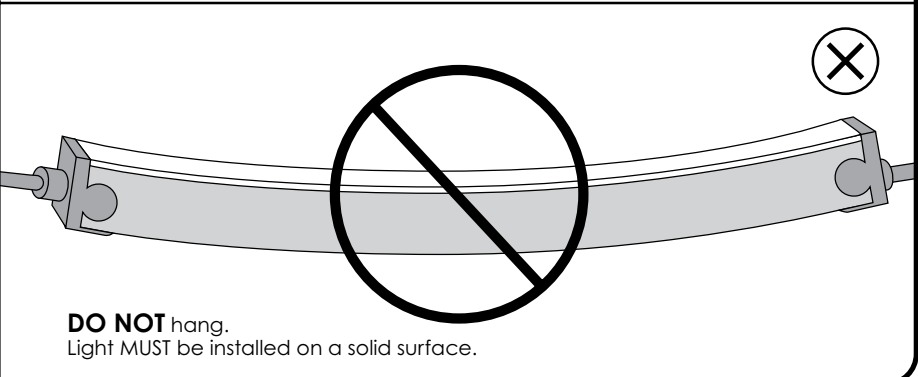


LED Neon • Flat 4.57 Watt RGB Handling Guide

 <p>Gently bend (along the SIDES) to create a 'C' or 'S' shape</p>	 <p>Curve no tighter than 80mm circumference</p>
--	--

LED NEON FLAT MAY BE HANDLED IN THE WAYS MENTIONED ABOVE

DO NOT HANDLE LED NEON FLAT AS SHOWN BELOW. IT MAY DAMAGE YOUR LIGHT.

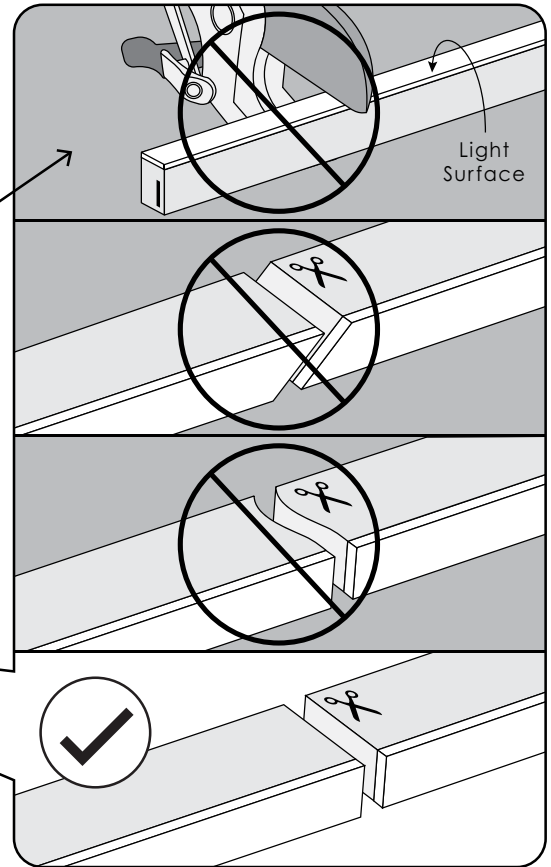
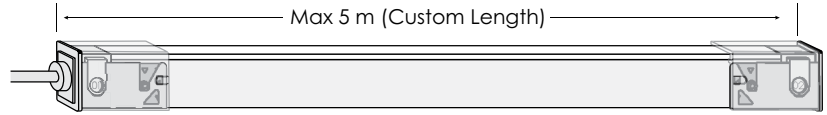
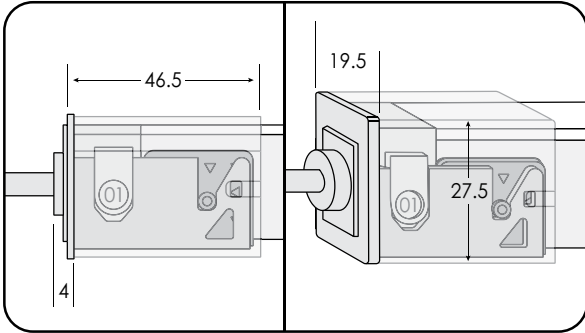
 <p>DO NOT bend up and/or down.</p>	 <p>DO NOT twist.</p>  <p>DO NOT hang. Light MUST be installed on a solid surface.</p>
---	--



LED Neon • Flat 4.57 Watt RGB Field Cutting Guide

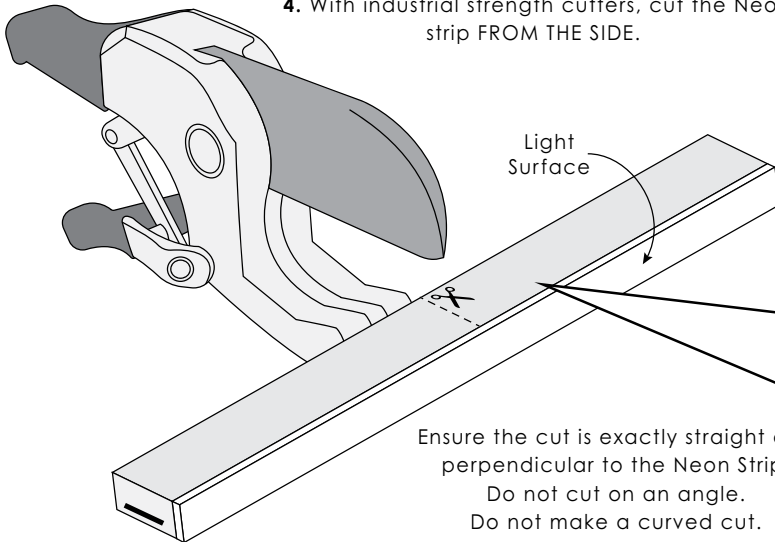
HORIZONTAL BEND NEON LIGHTS

Factory OR Field Install

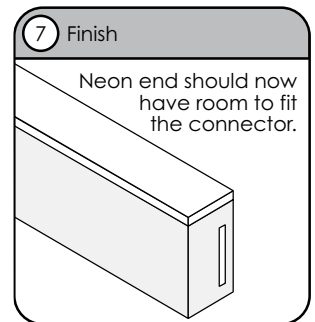
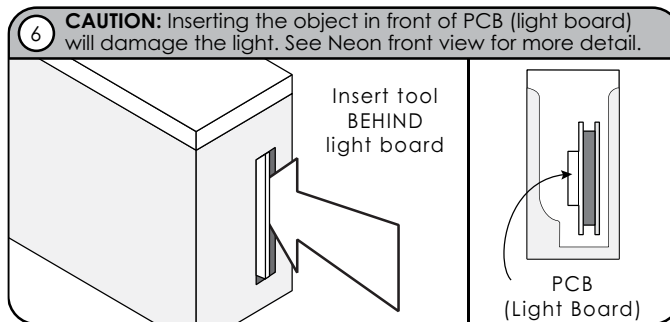
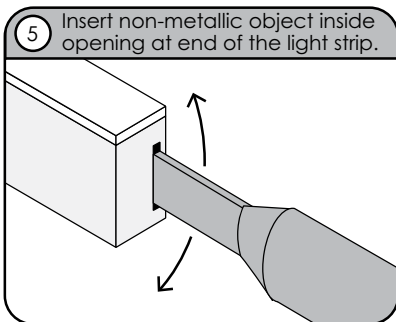


Cutting the Neon Strip:

1. DO NOT CUT DOWN FROM THE TOP SURFACE.
2. Ensure light surface on Neon Strip is facing up.
3. Locate the closest cut point to the maximum measurement.
4. With industrial strength cutters, cut the Neon strip FROM THE SIDE.



Ensure the cut is exactly straight and perpendicular to the Neon Strip.
Do not cut on an angle.
Do not make a curved cut.





LED Neon • Flat 4.57 Watt RGB Snap Connect Field Installation

1 Fit Neon strip through clear PC cover. Move the cover down to make room.

1A PC Cover has two sides. Ensure snap end is closest to the connector.

Snap End Rear End

2 Insert connector behind PCB. See following panel for more detail.

Note: Once connected there will be a 2-5mm gap between connector and light

Insert connector here
(Between PCB and PVC)

PVC Housing
PCB LED board

3 Flatten out Self-locking Clip. Align it with Neon strip and fold up.

Fold flaps in
Bottom tab sticks out

4 Align steel U-Plate with connector guides and snap on.

5 The U-Plate uses the connector guides to automatically tighten the seal

6 Bring clear PC cover back towards the front of the strip to cover connection.

Snap into place

Finished view of Connector
(Repeat Steps 1 – 6 to install End Cap)



LED Neon Light Flat 4.57 Watt RGB

SGi's **Neon Flat 4.57 Watt RGB** is a stunning choice for unique lighting installations with dazzling colour changing effects. Neon Flat 4.57 Watt RGB can be bent horizontally up to 80mm, so unique and fun design options are possible. Engineered to provide the highest possible quality, Neon Flat 4.57 Watt RGB's smooth and uniform glow is great for applications where the light is a visible design element. Pair with LED Neon Track or Clips for straight, curved and upside down installations.

