

LED Neon Light

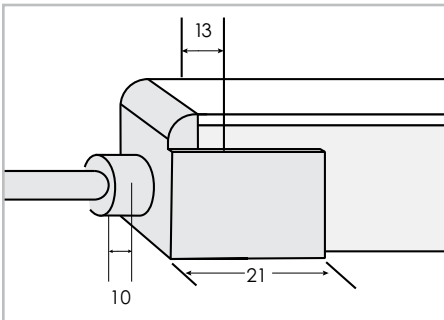
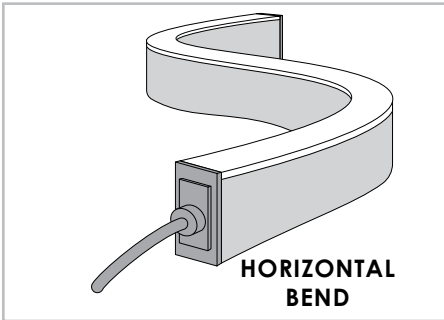
Flat 4.57 Watt IP68



Flat 4.57 Watt IP68



LED Neon Light • Flat 4.57 Watt IP68



Standard Injection Molded Connector shown.
Dimensions in millimeters.

Length	Custom Length ¹ cuttable every 3.25"		
Operating Voltage (ov)	24V DC		
Finish (fin)	WHT	White	
Light Colour (lc) Correlated Colour Temperature (CCT)	2700K	Incandescent White	
	3000K	Warm White	
	3500K	Sand White	
	4000K	Neutral White	
	5000K	Cool White	
	CST ²	Orange, Pink, Yellow, Violet	
	See RGB spec sheets for Colour Changing options		
Bend (bnd)	HB	Horizontal Bend	
Connection (con) ¹	Injection molded: IN_E-30-OUT_E-30 IN_E-30-OUT_ENDCAP IN_SL-30-OUT_SR-30 IN_SL-30-OUT_ENDCAP IN_SR-30-OUT_SL-30 IN_SR-30-OUT_ENDCAP IN_B-30-OUT_B-30 IN_AB-CST-OUT_ENDCAP		
Beam Angle (ba) Degrees	160°		
Light Output Lumens	2700K	319	per foot
	3000K	336	per foot
	3500K	349	per foot
	4000K	362	per foot
	5000K	388	per foot
IP Rating	IP68		
Dimensions with snap connector Width, Height, Length	W	0.76"	19.5 mm
	H	1.08"	27.5 mm
	L	Specify maximum length in inches ¹	
Watts	4.57 Watts per foot		
Input Voltage	AC 100V – 240V, 277V external transformer		

See connections page for alternative connector types and dimensions.

Part Number Configuration

NEON	FLT_4.57W-IP68	HB	24VDC	WHT	
-------------	-----------------------	-----------	--------------	------------	--

Category	Family	Bend (bnd)	Operating Voltage (ov)	Finish (fin)	Light Colour (lc)	Connection (con)
NEON	FLT_4.57W-IP68	HB Horizontal Bend	24VDC	WHT	2700K 3000K 3500K 4000K 5000K CST ²	Injection Molded: IN_E-30-OUT_E-30 IN_E-30-OUT_ENDCAP IN_SL-30-OUT_SR-30 IN_SL-30-OUT_ENDCAP IN_SR-30-OUT_SL-30 IN_SR-30-OUT_ENDCAP IN_B-30-OUT_B-30 IN_B-30-OUT_ENDCAP

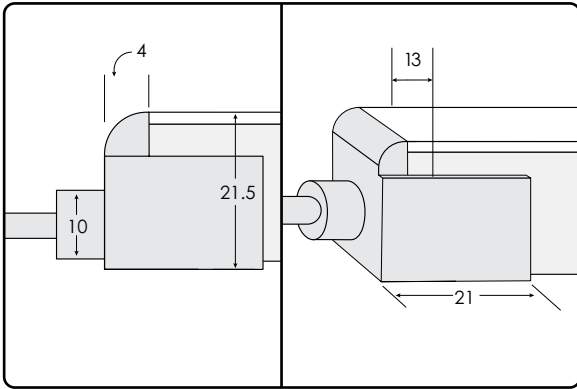


¹ See Connections page(s) for more details. ² SPECIAL ORDER: Available in single colour Orange, Pink, Yellow and Violet.

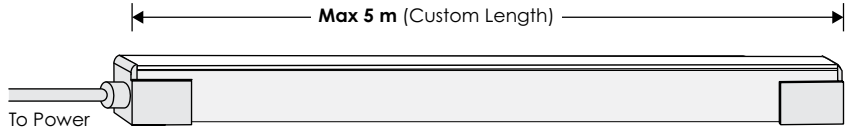


LED Neon Light • Flat 4.57 Watt IP68 Injection Molded Options

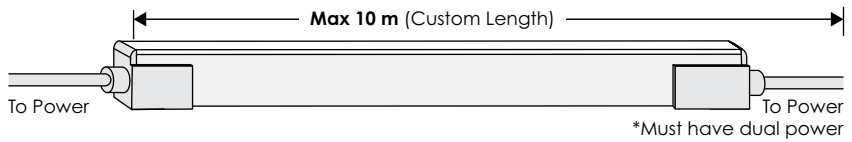
End Connector



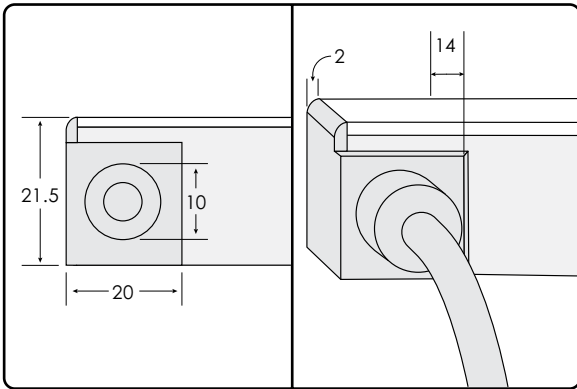
IN_E-30-OUT_ENDCAP



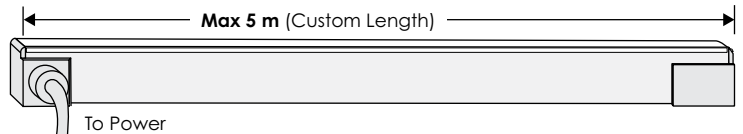
IN_E-30-OUT_E-30



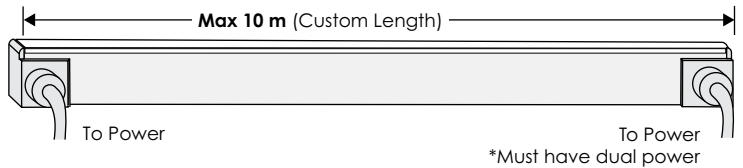
Side Connector



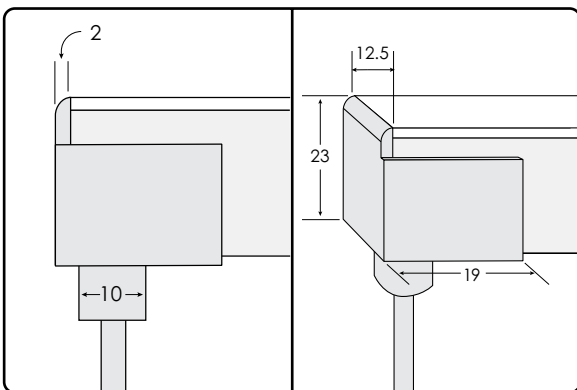
IN_SL-30-OUT_ENDCAP / IN_SR-30-OUT_ENDCAP



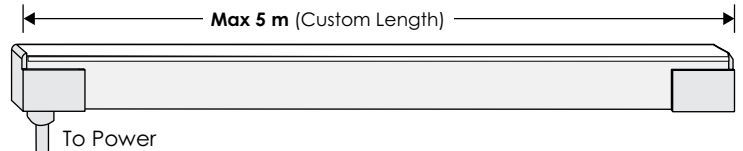
IN_SL-30-OUT_SR-30 / IN_SR-30-OUT_SL-30



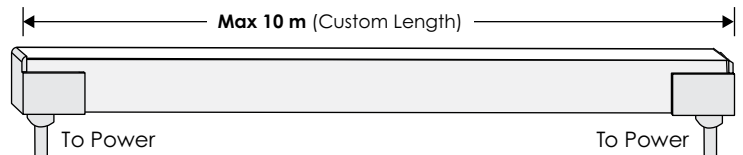
Bottom Connector



IN_B-30-OUT_ENDCAP



IN_B-30-OUT_B-30

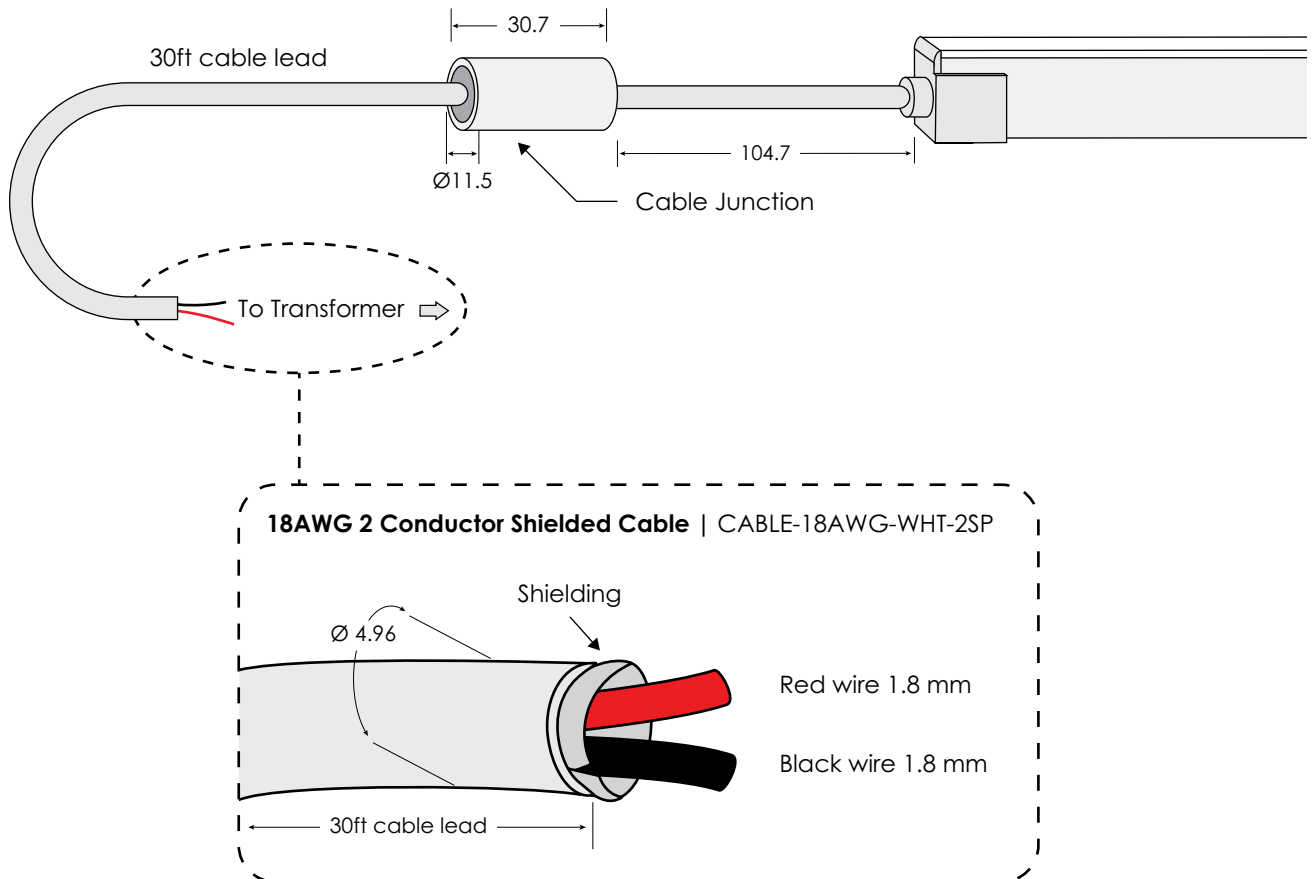




LED Neon Light • Flat 4.57 Watt IP68 Cable Options for Injection Molded Connection

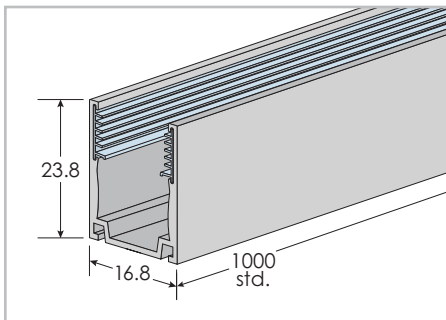
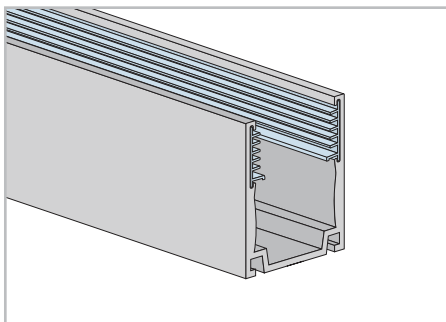
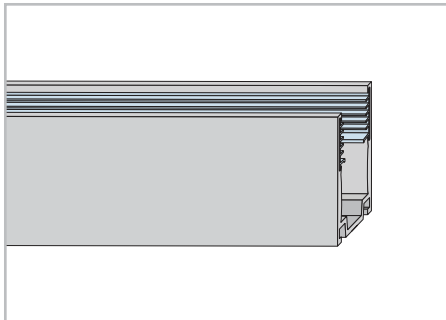
Hardwire

With standard 30ft cable.





LED Track • Neon 1724 Self-Locking



Dimensions in millimeters

Finish (fin)	SIL Silver
Lens (ln)	N None
Custom Length	Custom Track lengths available Please specify length in inches Standard length 1 m (39"), maximum 2.5 m (98")
Housing	Aluminum Alloy
Compatible Lights	Flat 4.57W LED Neon Light NEON-FLT_4.57W-HB-ov-fin-lc-con Round 4.57W LED Neon Light NEON-RND_4.57W-HB-ov-fin-lc-con Round High Temperature 2.2W LED Neon Light NEON-RNDHT_2.2W-HB-24VDC-WHT-lc-con



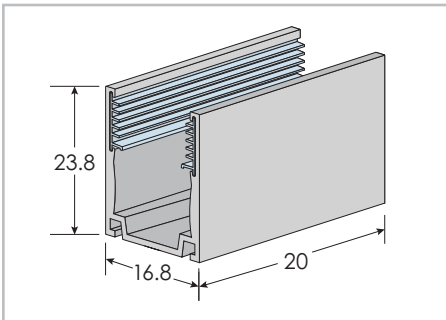
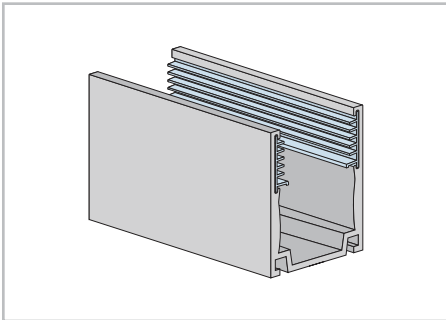
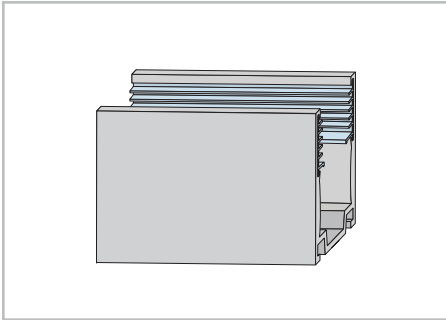
Part Number Configuration

TRACK	NEON-1724SL3	CST	SIL	N
Category	Family	Length	Finish	Lens
TRACK	NEON-1724SL3	CST Custom Length	SIL Silver	N None



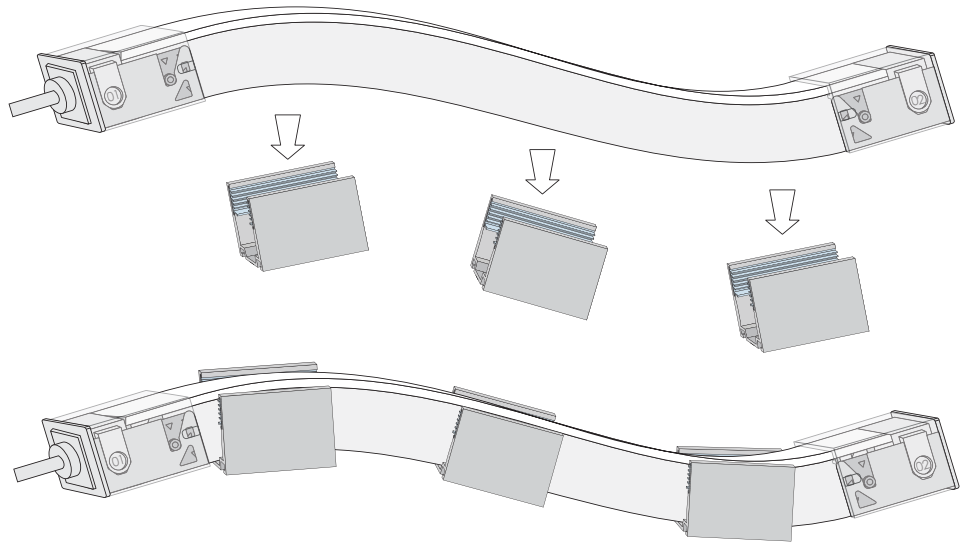


LED Clip • Neon 1724 Self-Locking



Dimensions in millimeters

Finish (fin)	SIL Silver
Lens (ln)	N None
Length	20 mm 0.78 Inches (Tolerance +/- 0.3mm)
Housing	Aluminum Alloy
Compatible Lights	Flat 4.57W LED Neon Light NEON-FLT_4.57W-HB-ov-fin-lc-con
	Round 4.57W LED Neon Light NEON-RND_4.57W-HB-ov-fin-lc-con
	Round High Temperature 2.2W LED Neon Light NEON-RNDHT_2.2W-HB-24VDC-WHT-lc-con



Part Number Configuration

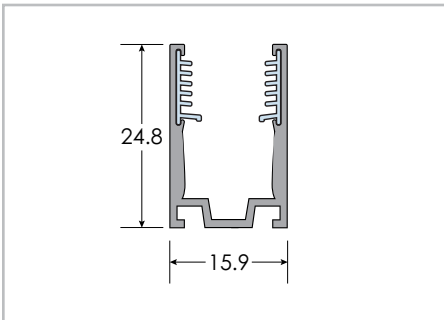
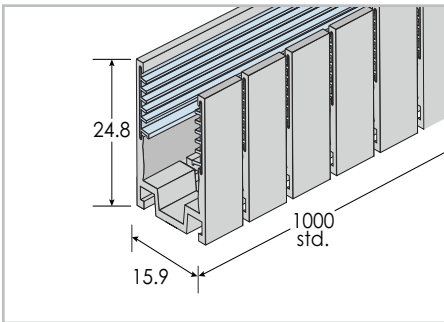
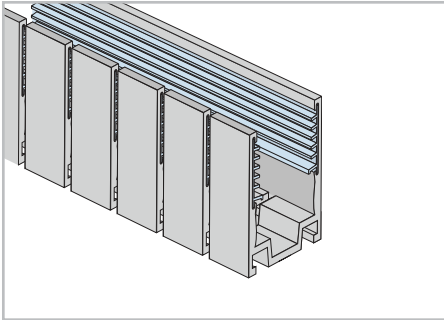
CLIP	NEON-1724SL3	20MM	SIL	N
-------------	---------------------	-------------	------------	----------

Category	Family	Length	Finish	Lens
CLIP	NEON-1724SL3	20MM 0.78 Inches	SIL Silver	N None



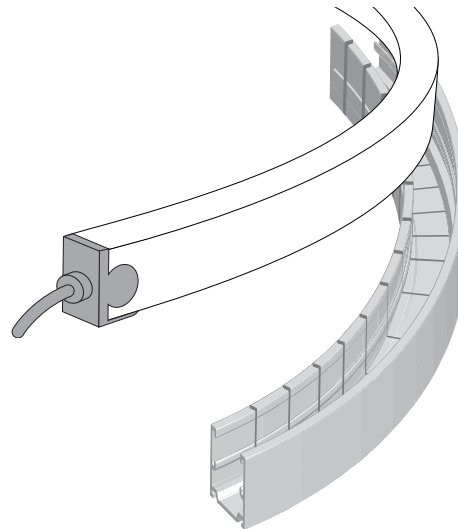


LED Track • Neon 1724 Self-Locking Horizontal Bend



Dimensions in millimeters

Finish (fin)	SIL Silver
Lens (ln)	N None
Custom Length	Custom Track lengths available Please specify length in inches Standard length 1 m (39"), maximum 2.5 m (98")
Housing	Aluminum Alloy
Compatible Lights	Flat 4.57W LED Neon Light NEON-FLT_4.57W-HB-ov-fin-lc-con Round 4.57W LED Neon Light NEON-RND_4.57W-HB-ov-fin-lc-con Round High Temperature 2.2W LED Neon Light NEON-RNDHT_2.2W-HB-24VDC-WHT-lc-con



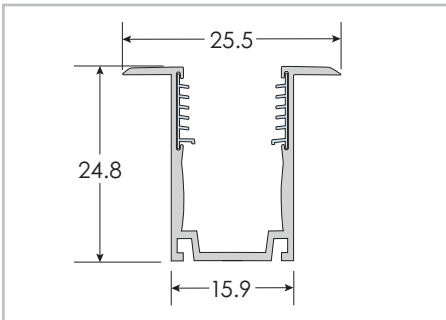
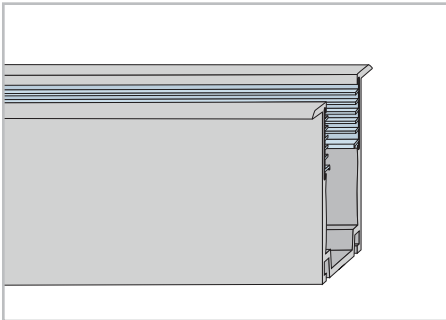
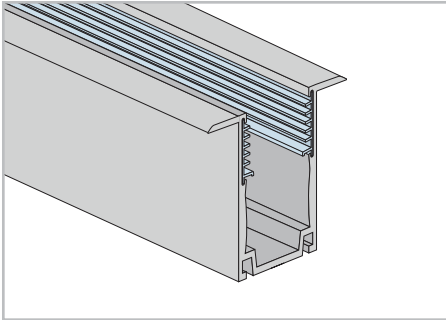
Part Number Configuration

TRACK	NEON-1724SL3-H_BND	CST	SIL	N
Category	Family	Length	Finish	Lens
TRACK	NEON-1724SL3-H_BND	CST Custom Length	SIL Silver	N None



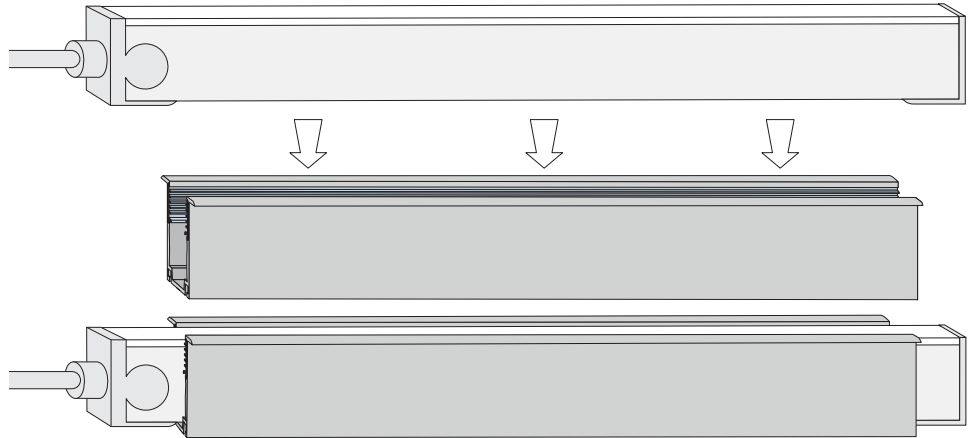


LED Track • Neon 1724 Self-Locking Recessed



Dimensions in millimeters

Finish (fin)	SIL Silver
Lens (ln)	N None
Custom Length	Custom Track lengths available Please specify length in inches Standard length 1 m (39"), maximum 2.5 m (98")
Housing	Aluminum Alloy
Compatible Lights	Flat 4.57W LED Neon Light NEON-FLT_4.57W-HB-ov-fin-lc-con Round 4.57W LED Neon Light NEON-RND_4.57W-HB-ov-fin-lc-con Round High Temperature 2.2W LED Neon Light NEON-RNDHT_2.2W-HB-24VDC-WHT-lc-con



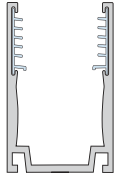
Part Number Configuration

TRACK	NEON-1724SL3-REC	CST	SIL	N
Category	Family	Length	Finish	Lens
TRACK	NEON-1724SL3-REC	CST Custom Length	SIL Silver	N None





LED Track/Clip • Neon 1724 Self-Locking Mounting Guide

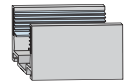


Track

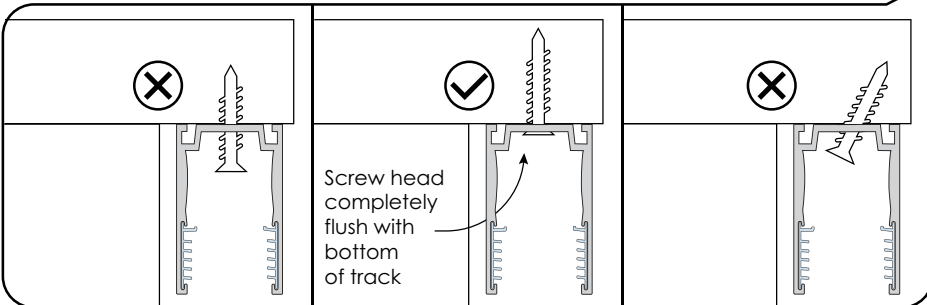
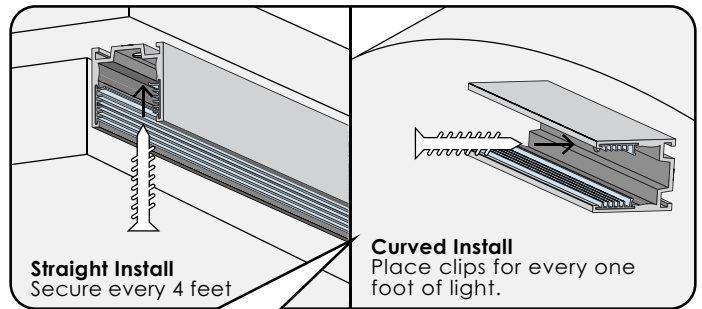
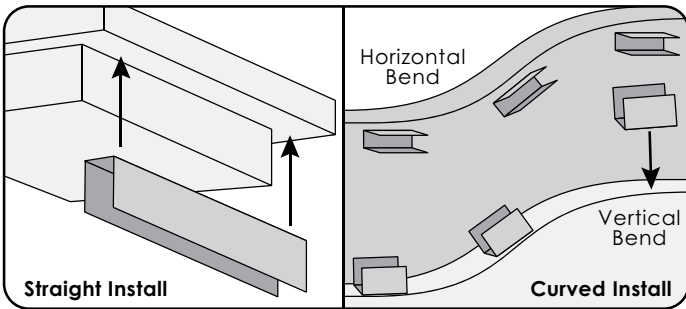
Mount LED Neon lights in long lengths of track to achieve straight installations **OR** multiple clips along a rounded surface for curved installations



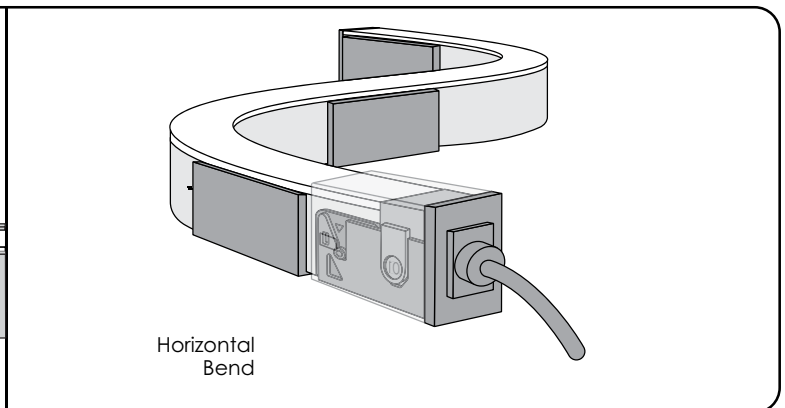
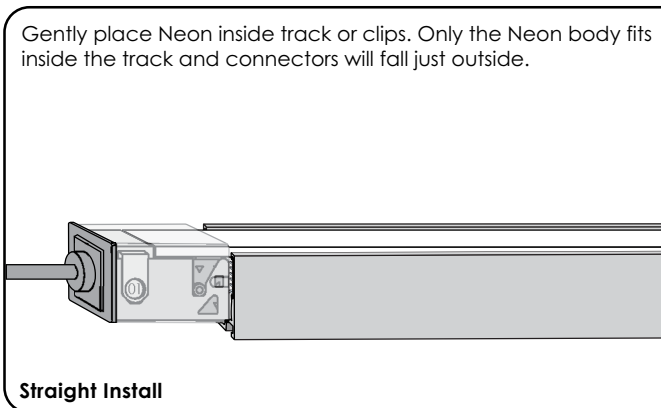
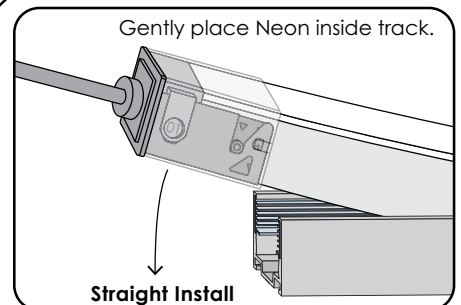
1 meter (2 meter length available as special order) (field cuttable to custom lengths)



20 mm

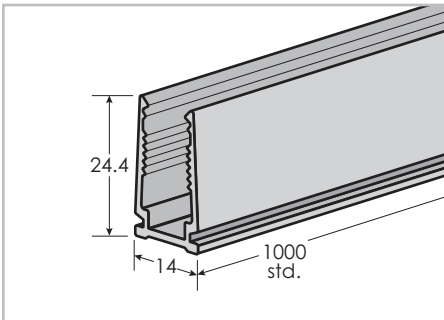
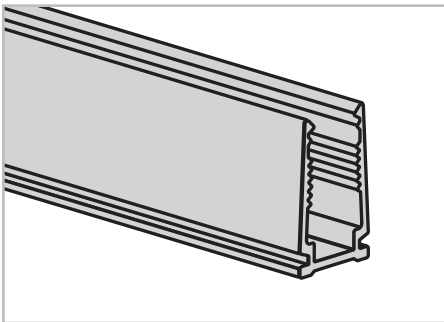
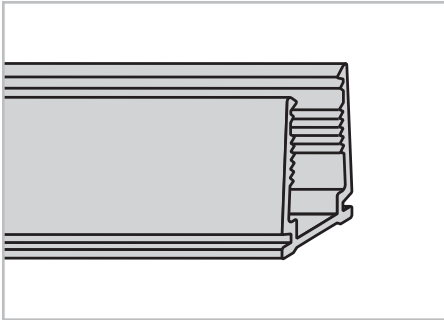


Screw head completely flush with bottom of track

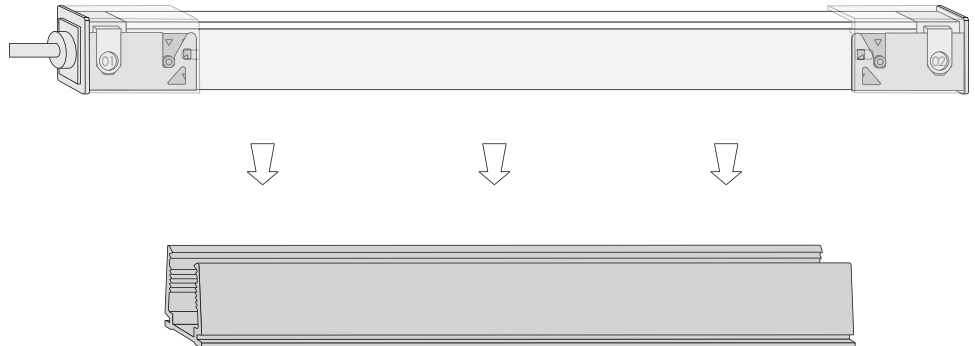




LED Track • Neon 1724 PVC



Finish (fin)	WHT White
Lens (ln)	N None
Custom Length	Custom Track lengths available Please specify length in inches Standard length 1 m (39"), maximum 2 m (78")
Housing	PVC
Compatible Lights	Flat 4.57W LED Neon Light NEON-FLT_4.57W-HB-ov-fin-lc-con Round 4.57W LED Neon Light NEON-RND_4.57W-HB-ov-fin-lc-con Round High Temperature 2.2W LED Neon Light NEON-RNDHT_2.2W-HB-24VDC-WHT-lc-con
Installation Note	No self-locking feature Recommended for undermount installations, use silicone to secure light into track.



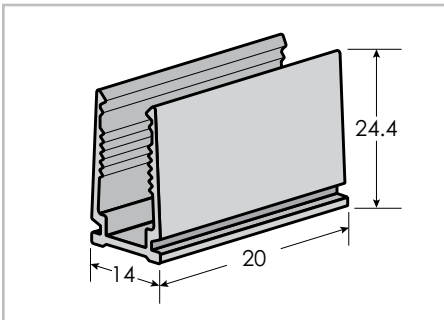
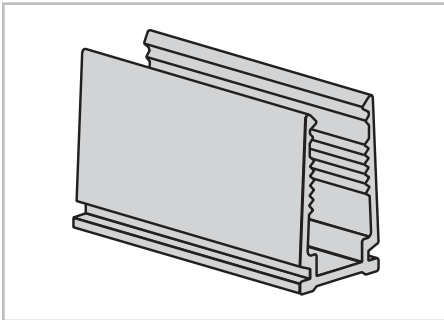
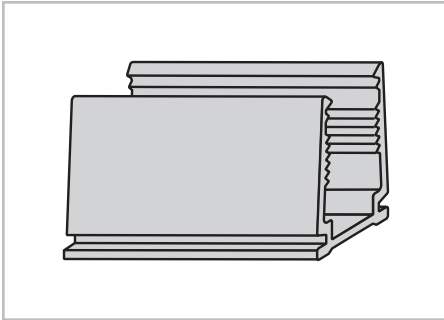
Part Number Configuration

TRACK	NEON-1724PVC	CST	WHT	N
Category	Family	Length	Finish	Lens
TRACK	NEON-1724PVC	CST Custom Length	WHT White	N None

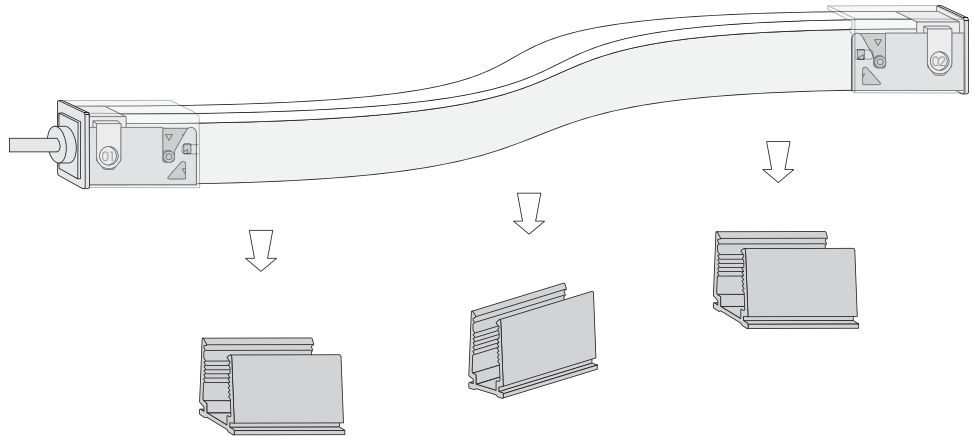




LED Clip • Neon 1724 PVC



Finish (fin)	WHT White
Lens (ln)	N None
Length	20 mm 0.78 Inches (Tolerance +/- 0.3mm)
Housing	Plastic
Compatible Lights	<p>Flat 4.57W LED Neon Light NEON-FLT_4.57W-HB-ov-fin-lc-con</p> <p>Round 4.57W LED Neon Light NEON-RND_4.57W-HB-ov-fin-lc-con</p> <p>Round High Temperature 2.2W LED Neon Light NEON-RNDHT_2.2W-HB-24VDC-WHT-lc-con</p>
Installation Note	No self-locking feature Not recommended for undermount installations



Part Number Configuration

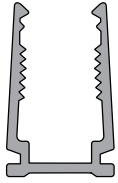
CLIP	NEON-1724PVC	20MM	WHT	N
-------------	---------------------	-------------	------------	----------

Category	Family	Length	Finish	Lens
CLIP	NEON-1724PVC	20MM 0.78 Inches	WHT White	N None





LED Track/Clip • Neon 1724 PVC Mounting Guide

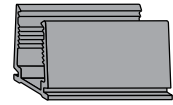


Track

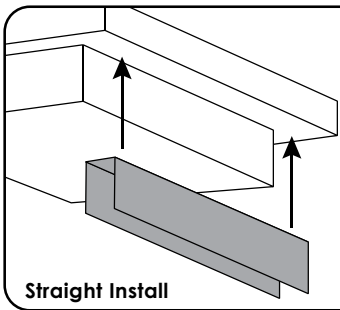
Mount LED Neon lights in long lengths of track to achieve straight installations **OR** multiple clips along a rounded surface for curved installations



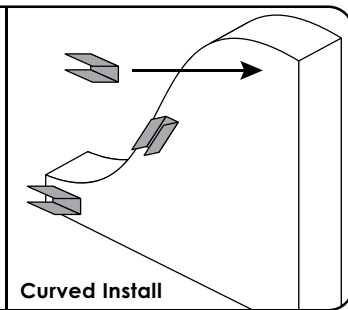
1 meter (2 meter length available as special order)
(field cuttable to custom lengths)



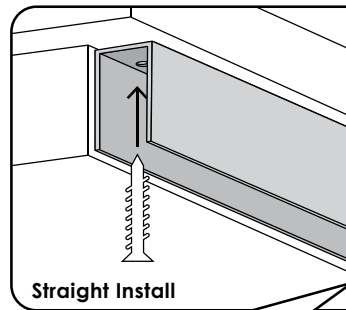
20 mm



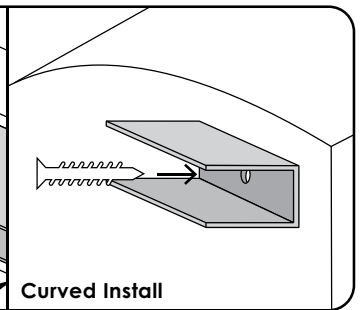
Straight Install



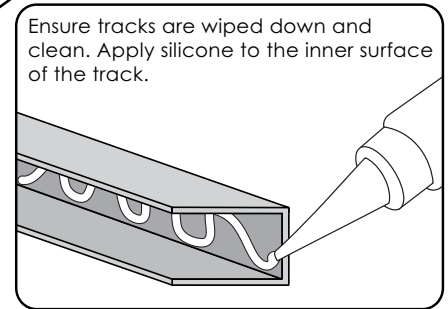
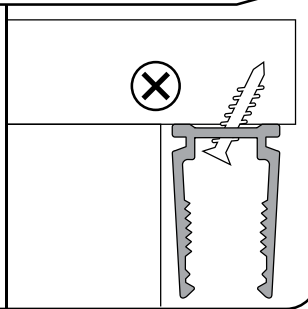
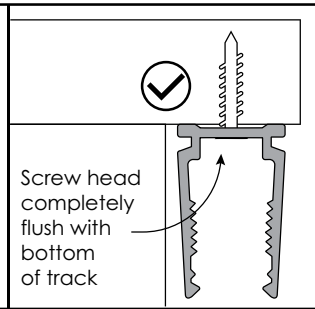
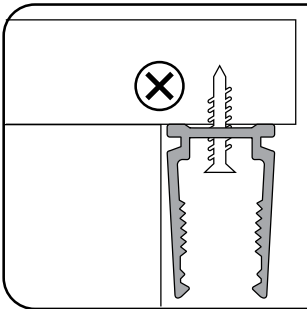
Curved Install



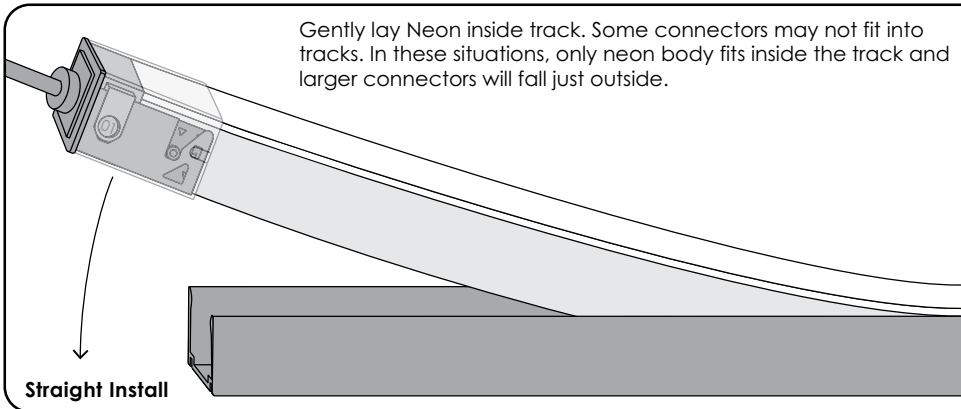
Straight Install



Curved Install

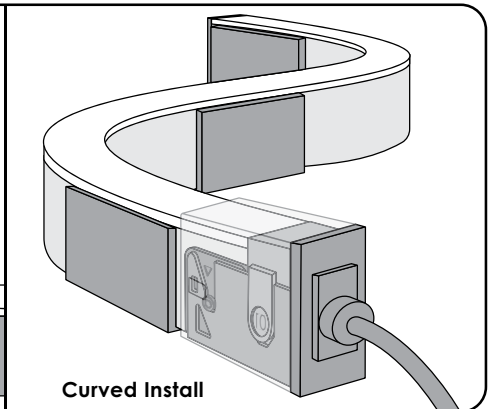


Ensure tracks are wiped down and clean. Apply silicone to the inner surface of the track.



Straight Install

Gently lay Neon inside track. Some connectors may not fit into tracks. In these situations, only neon body fits inside the track and larger connectors will fall just outside.



Curved Install





LED Neon • Flat 4.57 Watt IP68 Wiring Instructions

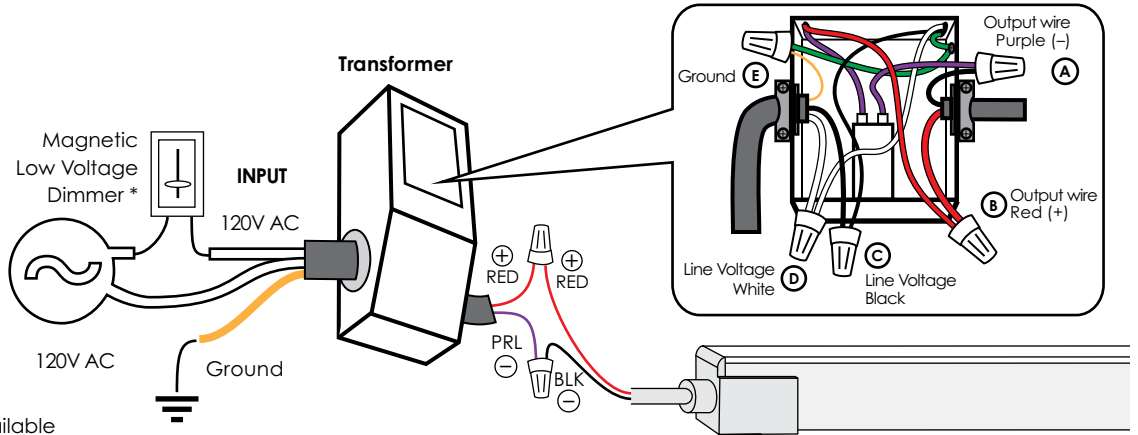
SINGLE COLOUR WIRING

To Start:

You will need:

- Marettes
- Clear silicone
- SGI LED Transformer(s)
- SGI LED Neon Light(s)
- 18 AWG 2 conductor shielded cable

* Non-dimmable drivers are available
 ** Shown with injection molded end connector



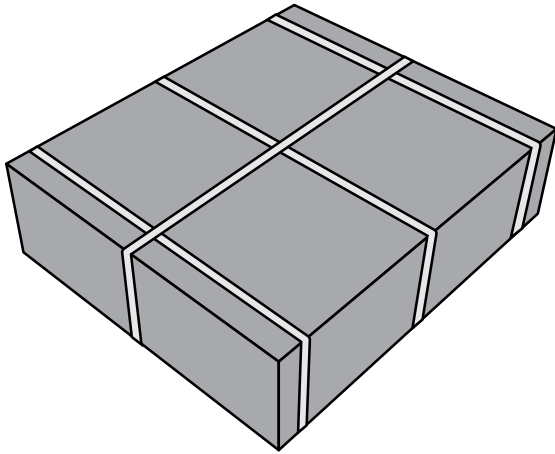
NEON-FLT_4.57W-IP68-HB-24VDC-fin-lc-con – POWER-36-24VDC-watt DIMMABLE

Power Supply	20 Watt Class 2	40 Watt Class 2	60 Watt Class 2	96 Watt Class 2	150 Watt Class 1	200 Watt Class 1	300 Watt Class 1
Max ft of light¹	4 ft	7 ft	11 ft	17 ft	26 ft	35 ft*	53 ft*
Max cable distance between power & light	12AWG >300ft 14AWG 238ft 16AWG 149ft 18AWG 94ft	12AWG 189ft 14AWG 119ft 16AWG 74ft 18AWG 47ft	12AWG 126ft 14AWG 79ft 16AWG 49ft 18AWG 31ft	12AWG 68ft 14AWG 43ft 16AWG 27ft 18AWG 17ft	12AWG 46ft 14AWG 29ft 16AWG 18ft 18AWG 11ft	12AWG 35ft 14AWG 21ft 16AWG 13ft 18AWG 9ft	12AWG 23ft 14AWG 14ft 16AWG 9ft 18AWG 6ft

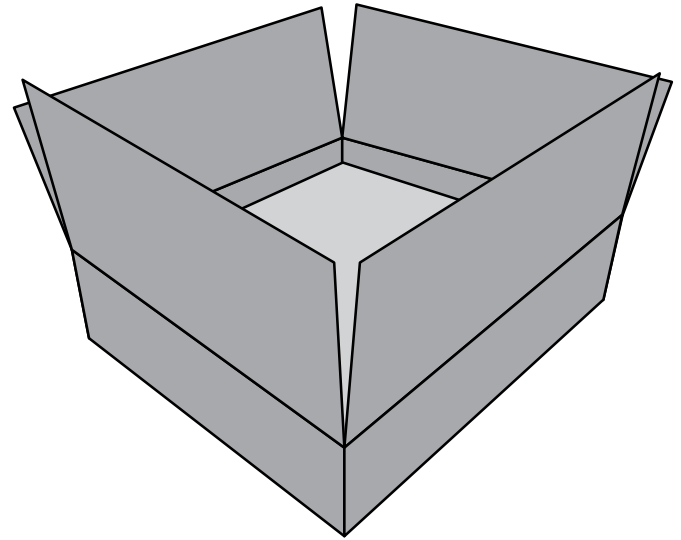
* Every 32 linear feet of light must be home-run to transformer. **All installations in North America must follow Class 2 requirements.
¹At 80% capacity



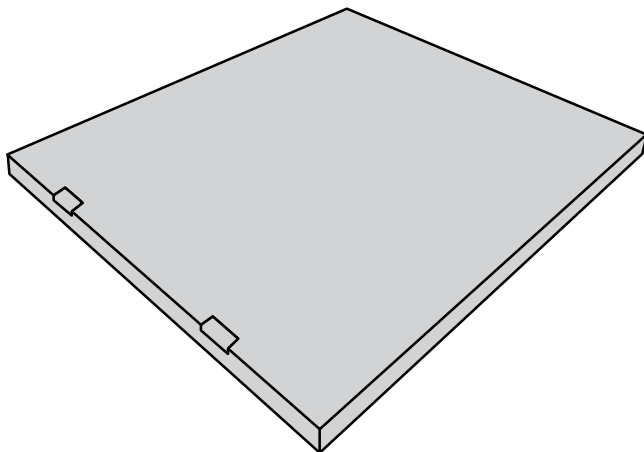
LED Neon • Flat 4.57 Watt IP68 Handling Guide



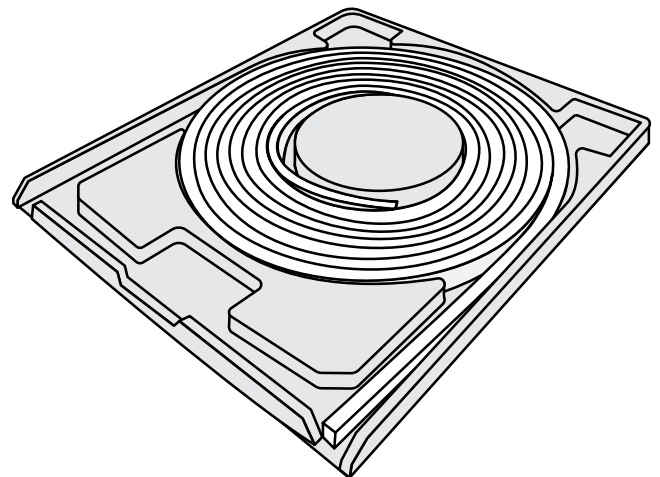
LED Neon lights are shipped in cartons. Carefully cut open cartons. Do not cut deeply, as the contents are packed tightly against the carton lid to prevent movement during shipping.



Each shipping carton can fit one to four trays.



Important: Keep trays flat. Placing trays on their sides can cause contents to become unravelled. Each tray can fit multiple LED Neon strips, depending on overall length. Slide out plastic tray onto flat surface.



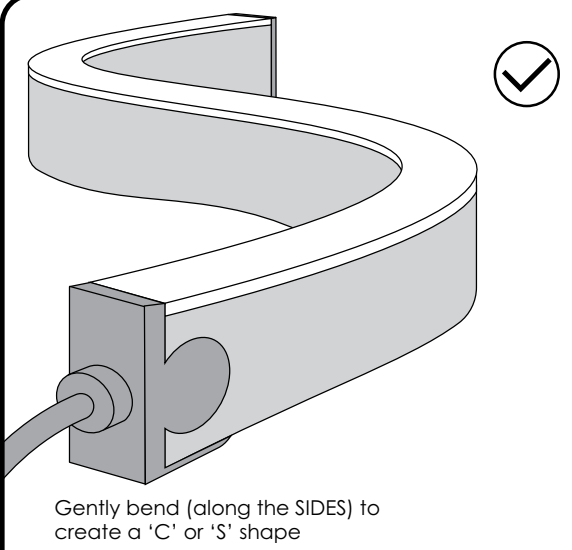
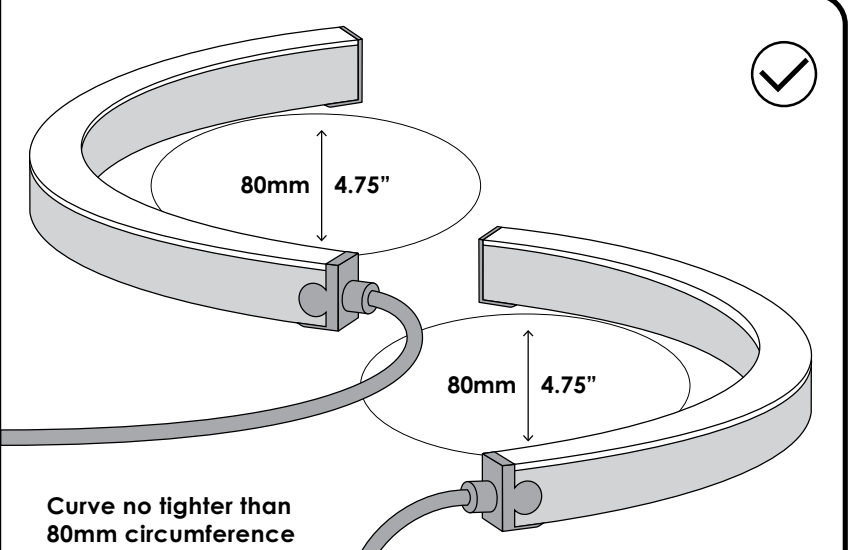
Remove LED Neon light by carefully lifting from the plastic holding tray.

NOTE: PLEASE FOLLOW HANDLING INSTRUCTIONS (NEXT PAGE) CAREFULLY. IMPROPER HANDLING CAN DAMAGE LIGHTS AND VOID WARRANTY.



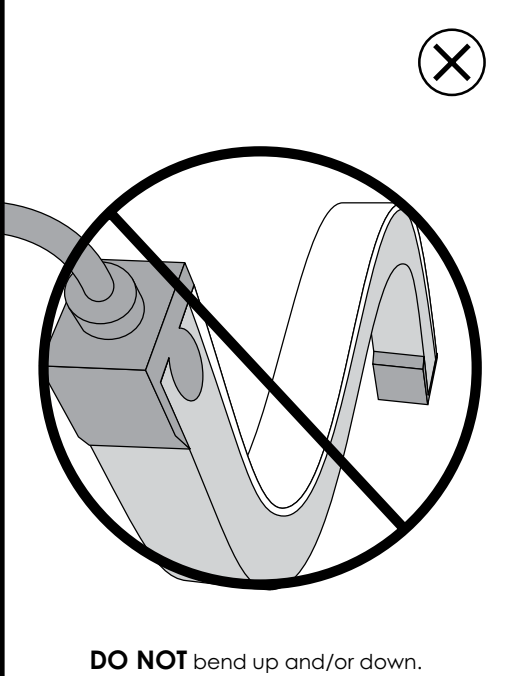
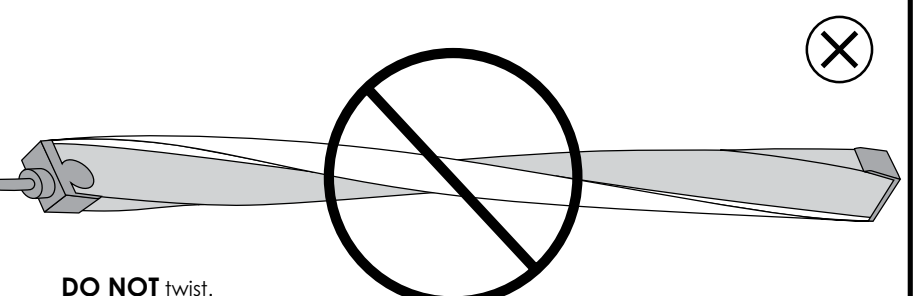
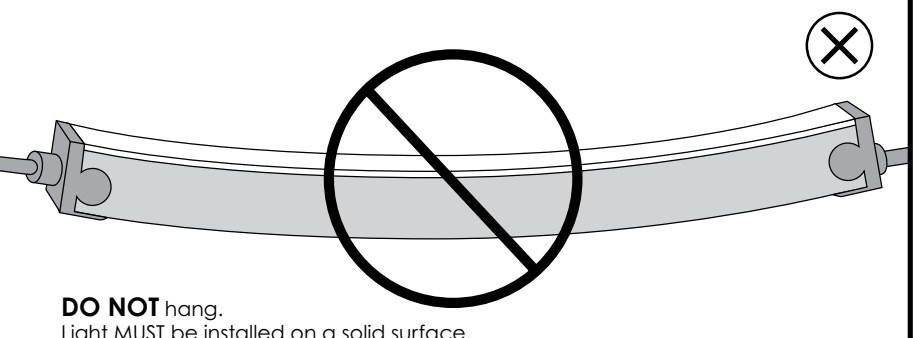


LED Neon • Flat 4.57 Watt IP68 Handling Guide

 <p>Gently bend (along the SIDES) to create a 'C' or 'S' shape</p>	 <p>Curve no tighter than 80mm circumference</p>
--	--

LED NEON FLAT MAY BE HANDLED IN THE WAYS MENTIONED ABOVE

DO NOT HANDLE LED NEON FLAT AS SHOWN BELOW. IT MAY DAMAGE YOUR LIGHT.

 <p>DO NOT bend up and/or down.</p>	 <p>DO NOT twist.</p>
 <p>DO NOT hang. Light MUST be installed on a solid surface.</p>	



LED Neon Light Flat 4.57 Watt IP68

SGi's **LED Neon Flat 4.57 Watt IP68** is an established option for exciting and unique light installations. Flat 4.57 Watt's tough, flat lens emits a bright and uniform glow for a smooth and modern look. Engineered to provide the highest possible quality available, Neon Flat 4.57 Watt is a great solution for visible lighting installations with a flair. Flat 4.57 Watt is available in a comprehensive array of single colour whites from 2700K to 5000K and single colours. Pair with LED Neon Track or Clips for straight, curved and upside down installations.

