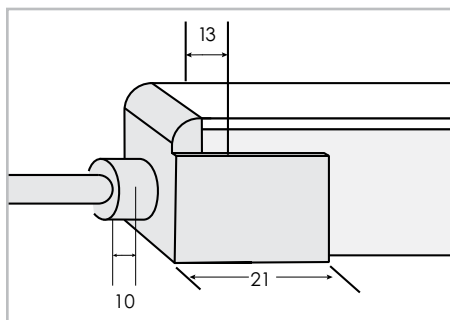
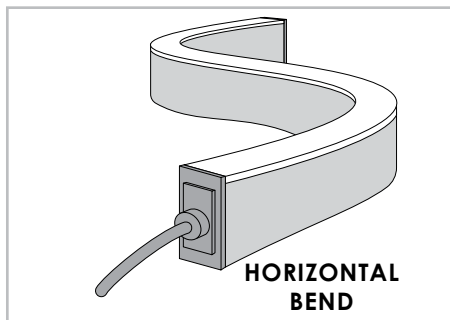


LED Neon Light • Flat 4.57 Watt IP68



Standard Injection Molded Connector shown.
Dimensions in millimeters.

Length	Custom Length ¹ cuttable every 3.25"		
Operating Voltage (ov)	24V DC		
Finish (fin)	WHT	White	
Light Colour (lc) Correlated Colour Temperature (CCT)	2700K	Incandescent White	
	3000K	Warm White	
	3500K	Sand White	
	4000K	Neutral White	
	5000K	Cool White	
	CST ²	Orange, Pink, Yellow, Violet	
	See RGB spec sheets for Colour Changing options		
Bend (bnd)	HB	Horizontal Bend	
Connection (con) ¹	Injection molded: IN_E-30-OUT_E-30 IN_E-30-OUT_ENDCAP IN_SL-30-OUT_SR-30 IN_SL-30-OUT_ENDCAP IN_SR-30-OUT_SL-30 IN_SR-30-OUT_ENDCAP IN_B-30-OUT_B-30 IN_AB-CST-OUT_ENDCAP		
Beam Angle (ba) Degrees	160°		
Light Output Lumens	2700K	319	per foot
	3000K	336	per foot
	3500K	349	per foot
	4000K	362	per foot
	5000K	388	per foot
IP Rating	IP68		
Dimensions with snap connector Width, Height, Length	W	0.76"	19.5 mm
	H	1.08"	27.5 mm
	L	Specify maximum length in inches ¹	
Watts	4.57 Watts per foot		
Input Voltage	AC 100V – 240V, 277V external transformer		

See connections page for alternative connector types and dimensions.

Part Number Configuration

NEON	FLT_4.57W-IP68	HB	24VDC	WHT	
-------------	-----------------------	-----------	--------------	------------	--

Category	Family	Bend (bnd)	Operating Voltage (ov)	Finish (fin)	Light Colour (lc)	Connection (con)
NEON	FLT_4.57W-IP68	HB Horizontal Bend	24VDC	WHT	2700K 3000K 3500K 4000K 5000K CST ²	Injection Molded: IN_E-30-OUT_E-30 IN_E-30-OUT_ENDCAP IN_SL-30-OUT_SR-30 IN_SL-30-OUT_ENDCAP IN_SR-30-OUT_SL-30 IN_SR-30-OUT_ENDCAP IN_B-30-OUT_B-30 IN_B-30-OUT_ENDCAP



¹ See Connections page(s) for more details. ² SPECIAL ORDER: Available in single colour Orange, Pink, Yellow and Violet.