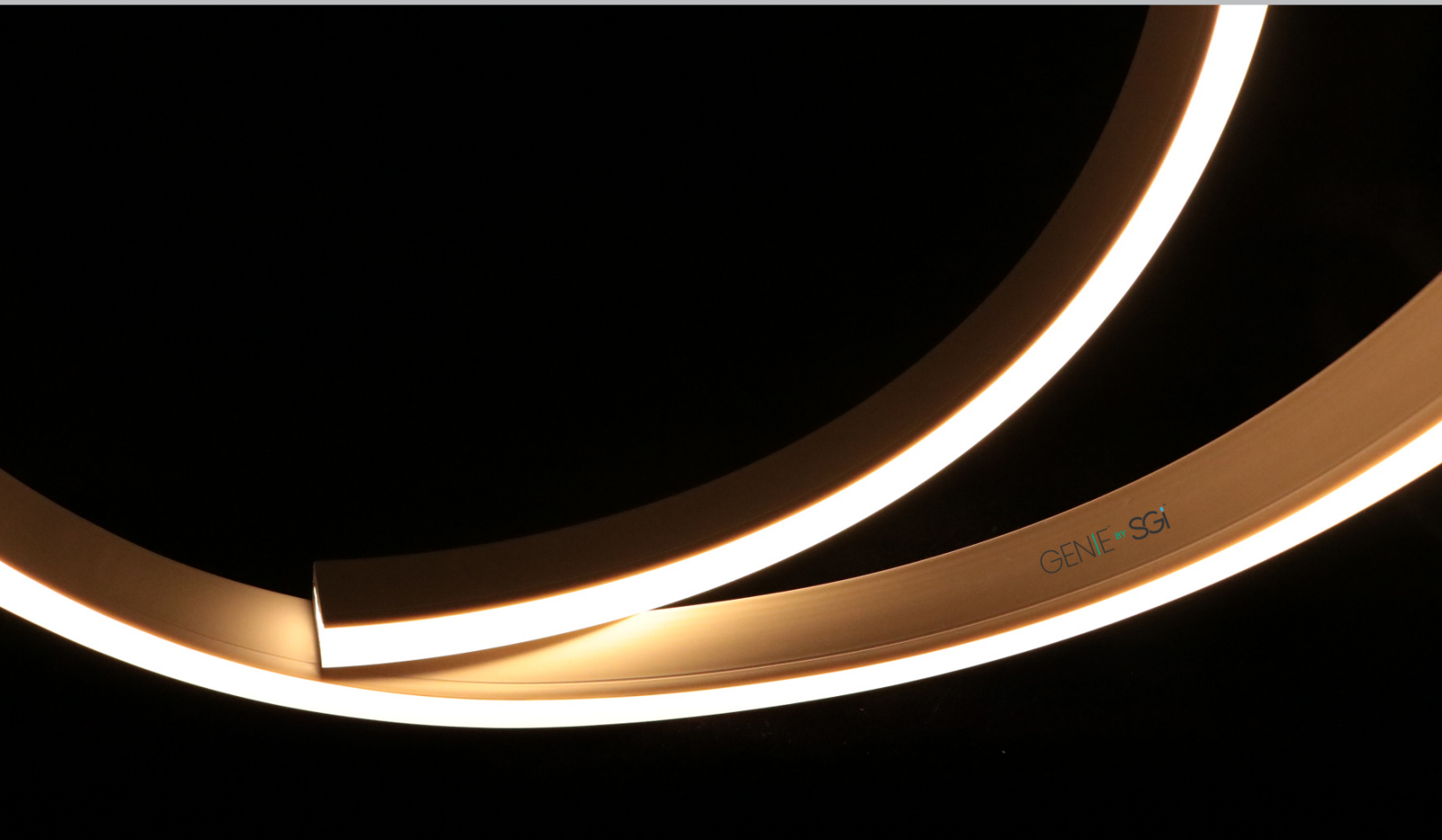


GENIE

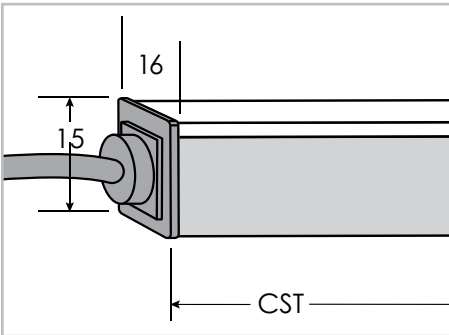
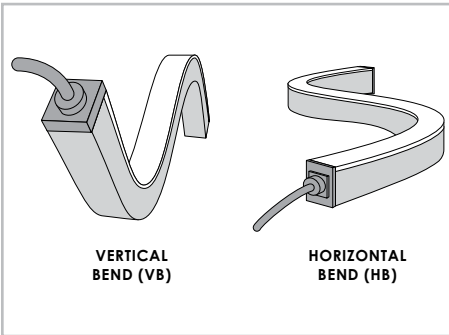


GENIE Neon Square



GENIE BY SGI

GENIE Neon • Square



Dimensions in millimeters.

Length	Available as Standard Length of 5 Meter Reels Custom Length ¹ available (service charges apply). Cuttable every 2"		
Operating Voltage (ov)	24V DC		
Finish (fin)	WHT	White	
Light Colour (lc) Correlated Colour Temperature (CCT)†	2700K	Incandescent White	
	3000K	Warm White	
	3500K	Sand White	
	4000K	Neutral White	
	5000K	Cool White	
Bend (bnd)	VB	Vertical Bend	HB Horizontal Bend
Connection (con) ¹	E	End	
	B	Bottom	
	SL	Side Left	
	SR	Side Right	
Cable Length (cab) ¹	STD	Standard length (1ft./ 30cm) Hardwire Cable	
	CST	Custom length cable available (service charges apply). Specify details.	
Beam Angle (ba) Degrees	160°		
Light Output Lumens		5W/M (1.5W/FT) Lm/M Lm/Ft	10W/M (3W/FT) Lm/M Lm/Ft
	2700K	359 109	706 215
	3000K	375 114	730 223
	3500K	381 116	717 219
	4000K	369 112	691 211
	5500K	375 114	698 213
CRI (cri) Colour Rendering Index	90		
IP Rating	IP67		
Dimensions with snap connector Width, Height, Length	W	0.63"	16 mm
	H	0.59"	15 mm
	L	Supplied as 5 Meter Reels	
Watts	1.5W/FT	3W/FT	5.2W/FT per foot
Input Voltage	AC 100V – 240V, 277V external transformer		
Dimmable	Yes With external dimmable transformer TRIAC		
Operating Temperature	-25°C to +50°C		-13°F to 122°F
	Power Rating = 5W/M when Temp=50 C		
Life Lumen Maintenance	50,000 hours		
Warranty	3 Years (Extended Warranty Available)		

See connections page for alternative connector types and dimensions.

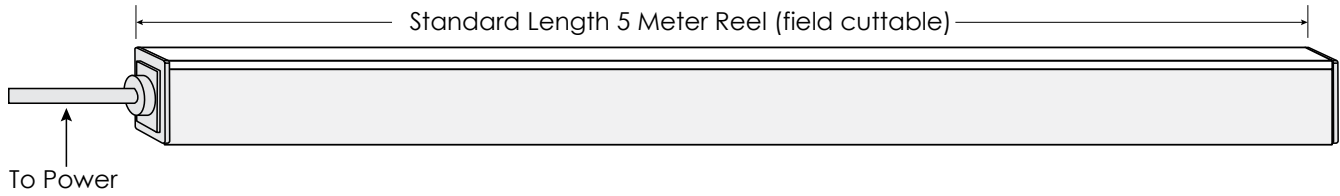
Part Number Configuration

GENIE_NEON		24VDC	WHT		90
-------------------	--	--------------	------------	--	-----------

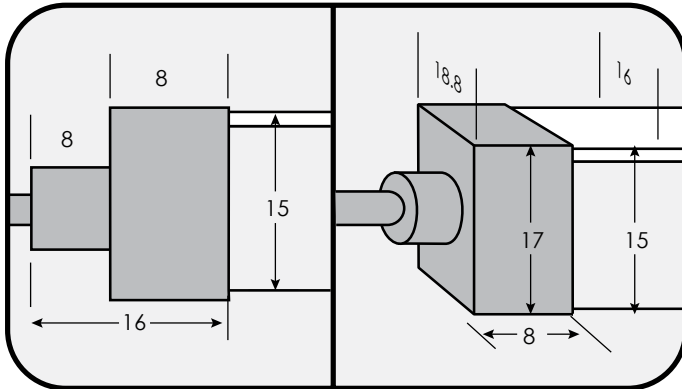
Category	Family	Bend (bnd)	Operating Voltage (ov)	Finish (fin)	Light Colour (lc)	Connection (con)	Cable Length (cab)	CRI (cri)
GENIE_NEON	SQUARE_LOW SQUARE_MEDIUM SQUARE_HIGH	HB VB	24VDC	WHT White	2700K 3000K 3500K 4000K 5500K	E End ¹ B Bottom ¹ SL Side Left ¹ SR Side Right ¹ CST Custom ¹	STD CST	90



GENIE Neon • Square • Connection Options

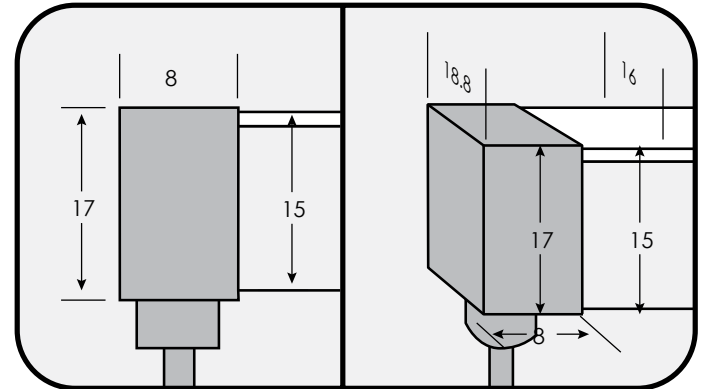


End Connect - E



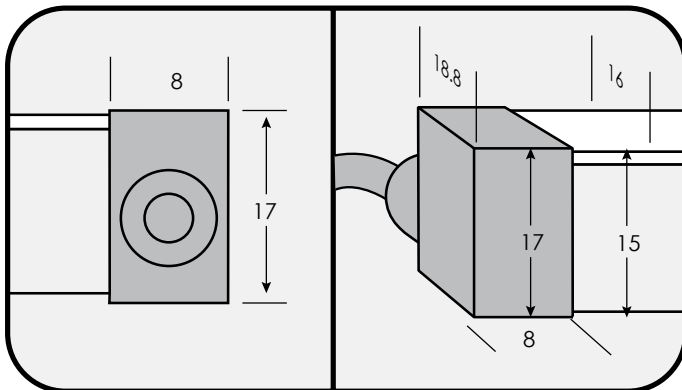
Injection Moulded Factory Installed

Bottom Connect - B



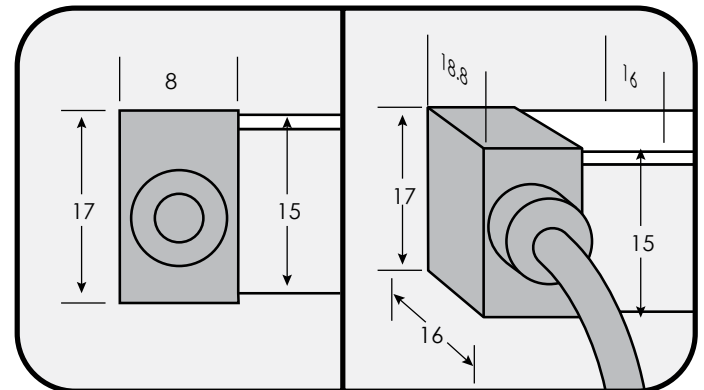
Injection Moulded Factory Installed

Side Left Connect - SL



Injection Moulded Factory Installed

Side Right Connect - SR

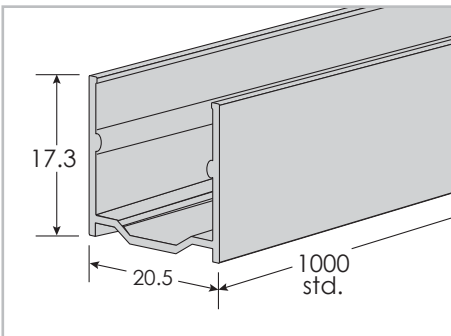
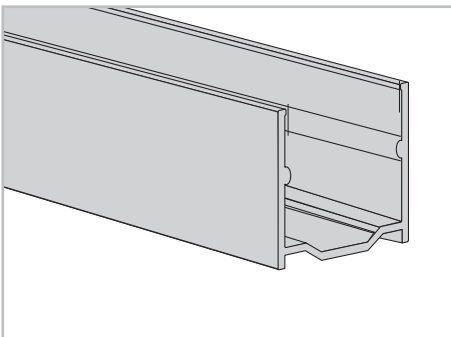
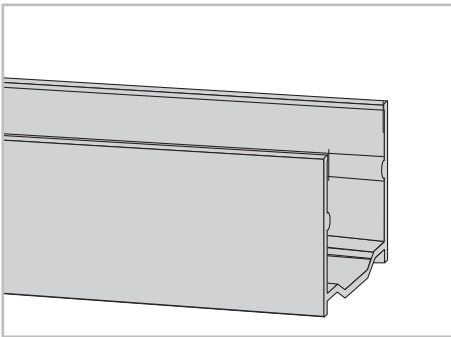


Injection Moulded Factory Installed

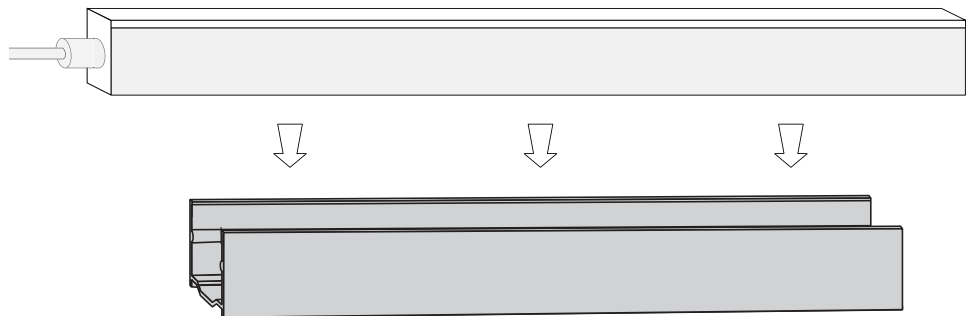




GENIE Neon • Square • Track



Finish (fin)	SIL Silver
Lens (ln)	N None
Custom Length	Custom Track lengths available Please specify length in inches Standard length 1 m (39")
Housing	Aluminum
Compatible Lights	GENIE_NEON Square GENIE_NEON-SQUARE-bnd-ov-fin-lc-con-cab-90
Installation Note	Suitable for undermount installations



Part Number Configuration: GENIE_TRACK-NEON_SQUARE -1M-SIL-N

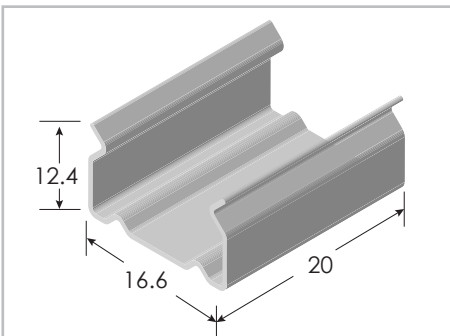
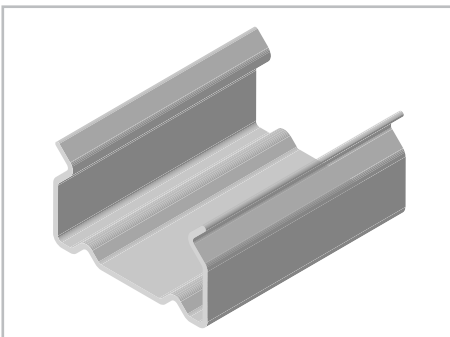
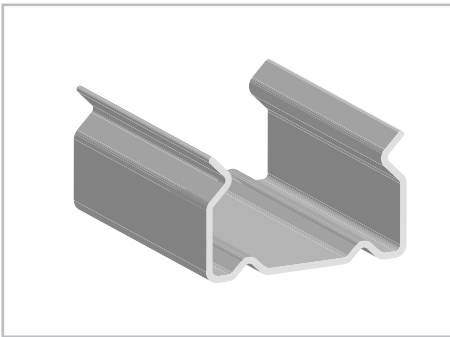
GENIE_TRACK	NEON_SQUARE	1M	SIL	N
--------------------	--------------------	-----------	------------	----------

Category	Family	Length	Finish	Lens
GENIE_TRACK	Neon_Square	1M	SIL Silver	N None

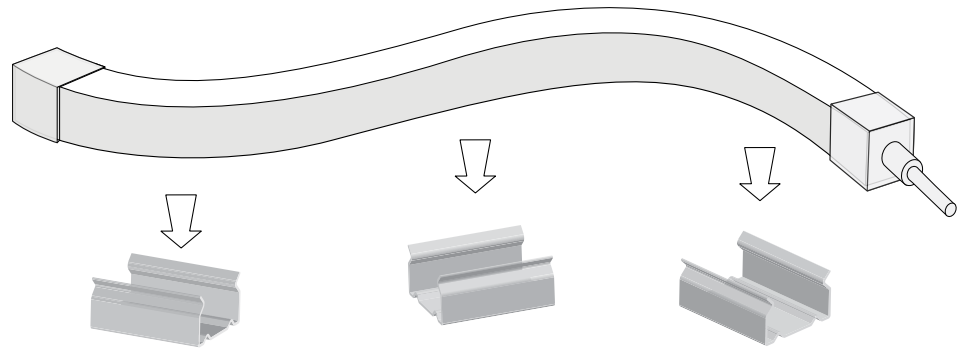




GENIE Neon • Square • Clip



Finish (fin)	SIL	Silver
Lens (ln)	N	None
Length	20 mm	
Housing	Aluminum	
Compatible Lights	GENIE_NEON Square	
Installation Note	Suitable for undermount installations	



Part Number Configuration: GENIE_CLIP-NEON_SQUARE-20MM-SIL-N

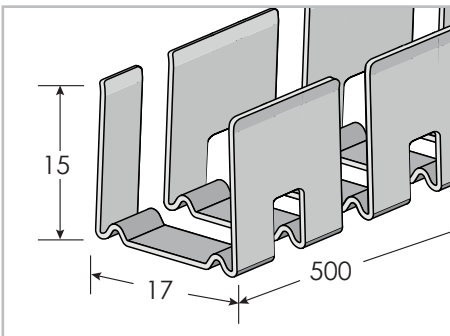
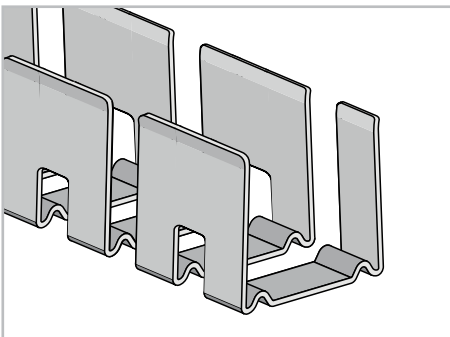
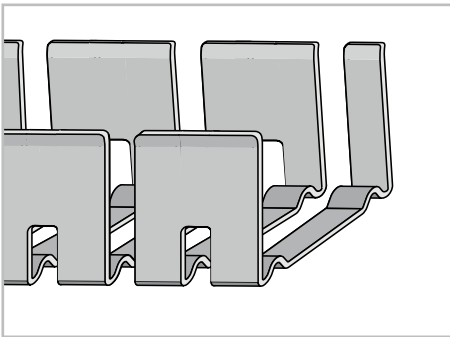
GENIE_CLIP	NEON_SQUARE	20M	SIL	N
-------------------	--------------------	------------	------------	----------

Category	Family	Length	Finish	Lens
GENIE_CLIP	Neon_Square	20M	SIL Silver	N None

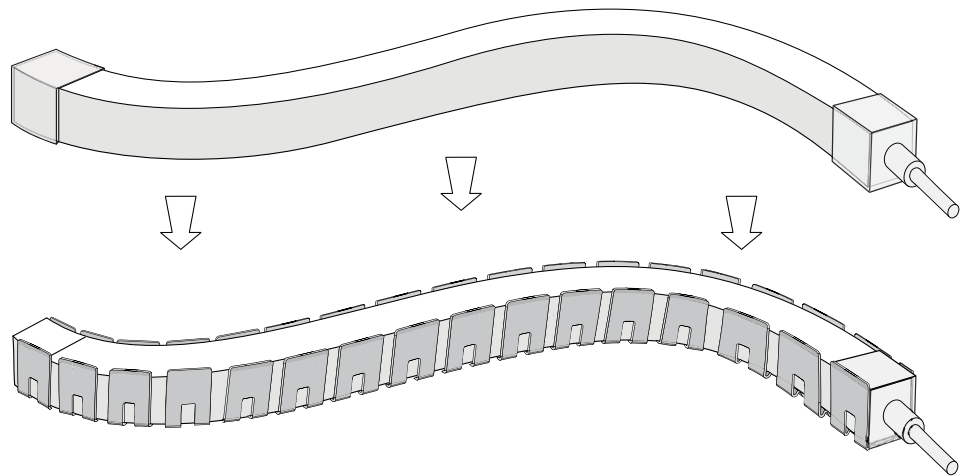




GENIE Neon • Square • Horizontal Bend



Finish (fin)	SIL Silver
Lens (ln)	N None
Custom Length	Custom Track lengths available Please specify length in inches Supplied as 0.5m sections
Housing	Aluminum
Compatible Lights	GENIE_NEON Square GENIE_NEON-SQUARE-bnd-ov-fin-lc-con-cab-90
Installation Note	Suitable for undermount installations



Part Number Configuration: GENIE_TRACK-NEON_SQUARE-H_BND-500MM-SIL-N

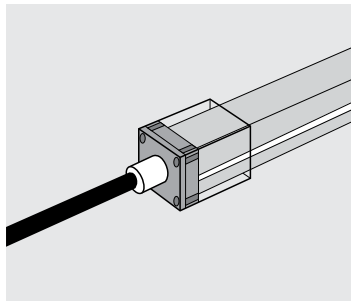
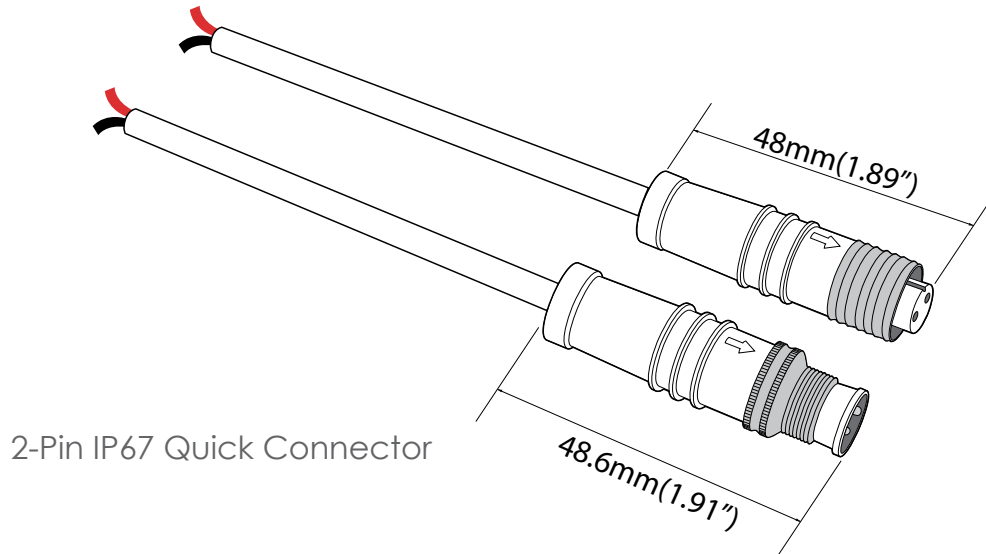
GENIE_TRACK	NEON_SQUARE	500M	SIL	N
--------------------	--------------------	-------------	------------	----------

Category	Family	Length	Finish	Lens
GENIE_TRACK	Neon_Square	500M	SIL Silver	N None

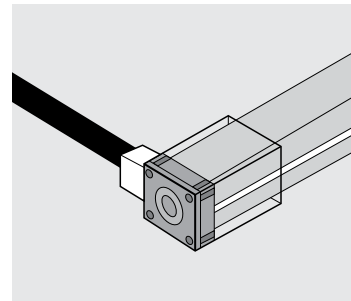




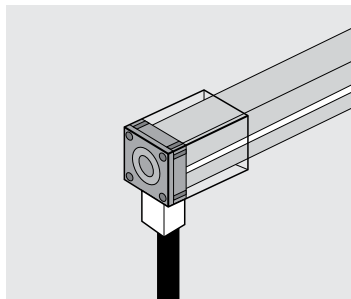
GENIE Neon • Square • Field Cutting Guide



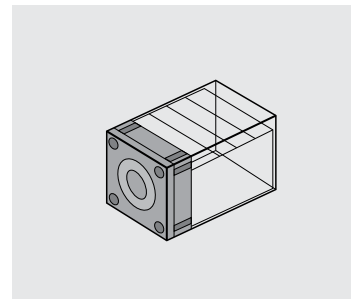
AE - Field Installed End [AE] Connector
P/N: GENIE_CONNECT-NEON_SQUARE-VB-AE



AL - Field Installed Side Left [AL] Connector
P/N: GENIE_CONNECT-NEON_SQUARE-VB-AL



AB - Field Installed Bottom [AB] Connector
P/N: GENIE_CONNECT-NEON_SQUARE-VB-Ab

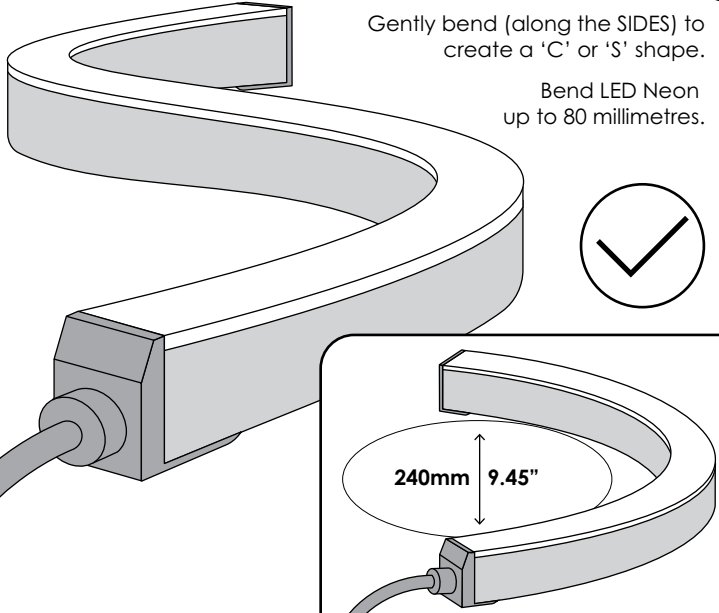
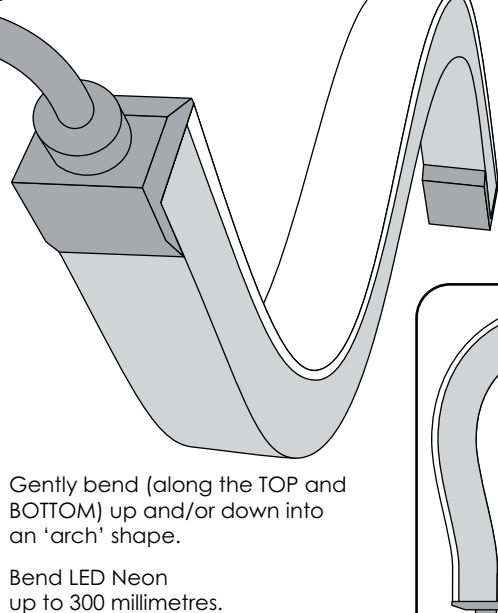
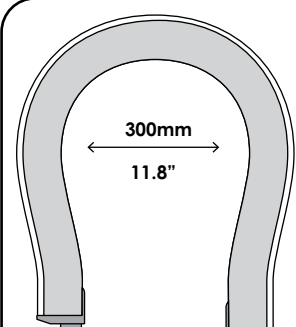
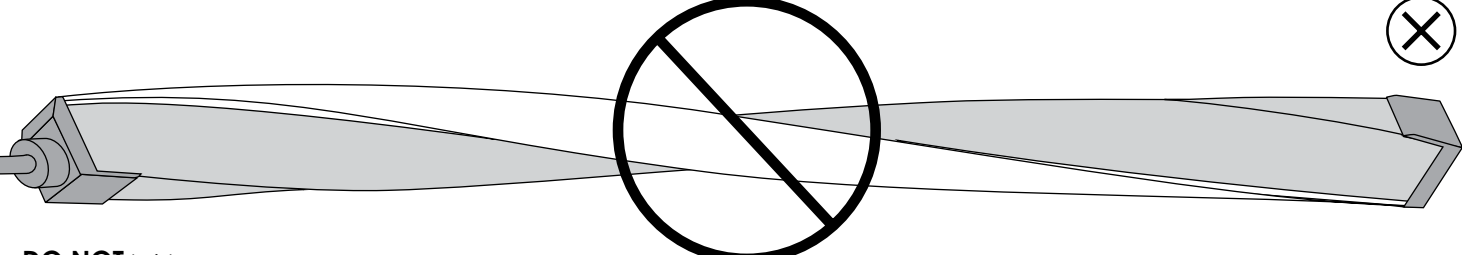
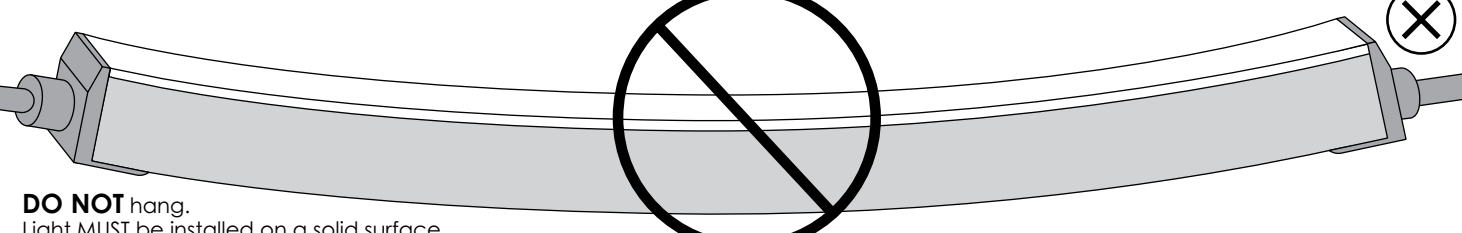


AC - Field Installed End Cap [AC] Connector
P/N: GENIE_CONNECT-NEON_SQUARE-VB-AC





GENIE Neon • Square • Handling Guide

HORIZONTAL BEND	OR	VERTICAL BEND
 <p>Gently bend (along the SIDES) to create a 'C' or 'S' shape. Bend LED Neon up to 80 millimetres.</p>	 <p>Gently bend (along the TOP and BOTTOM) up and/or down into an 'arch' shape. Bend LED Neon up to 300 millimetres.</p>	
GENIE NEON SQUARE MAY BE HANDLED IN THE WAYS MENTIONED ABOVE		
DO NOT HANDLE AS SHOWN BELOW. IT MAY DAMAGE YOUR LIGHT.		
 <p>DO NOT twist.</p>		
 <p>DO NOT hang. Light MUST be installed on a solid surface.</p>		

Factory installed End Connector shown.

GENIE Neon Square

Genie Neon Square is a practical solution for indoor accent and cove lighting applications. Available in 5 metre lengths, Square can be conveniently field cut and with a variety of accessories any design is achievable. Value engineered to provide the highest possible quality for the lowest cost, Square is a great option for designs with long continuous runs of light. Square is available in Low (1.5 w/ft), Medium (3 w/ft) and High (5.2 w/ft) outputs, so there is flexibility to match light outputs to specific applications. Square is available in a comprehensive array of single colour whites from 2700K to 5500K to fit any design concept.



Value Engineered illumination for Cove Lighting applications



GENIE BY SGI