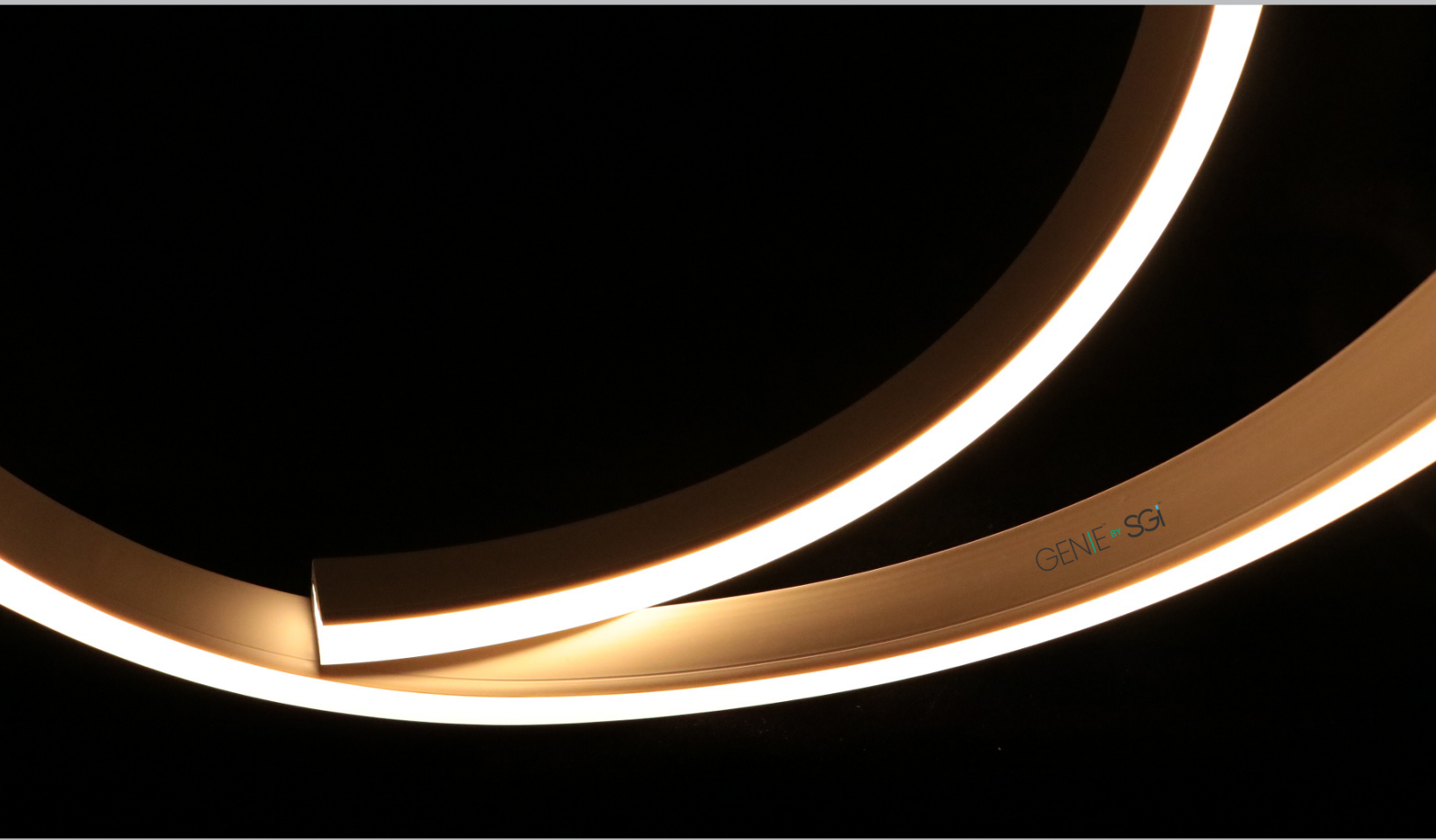


GENIE

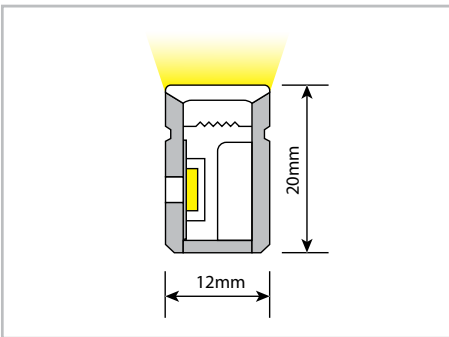
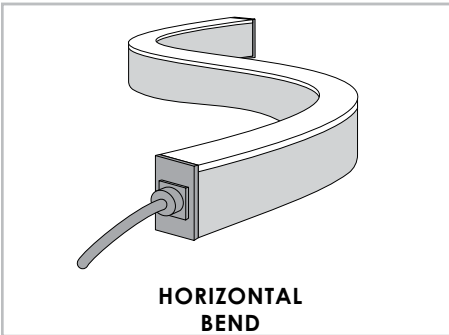
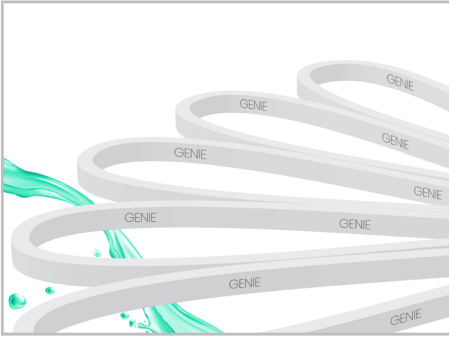


GENIE Neon Side



GENIE BY SGI

GENIE Neon • Side



Length	Available as Standard Length of 5 Meter Reels Custom Length ¹ available (service charges apply). Cutable every 2"		
Operating Voltage (ov)	24V DC		
Finish (fin)	WHT	White	
Light Colour (lc) Correlated Colour Temperature (CCT)	2700K	Incandescent White	
	3000K	Warm White	
	3500K	Sand White	
	4000K	Neutral White	
	5000K	Cool White	
Bend (bnd)	HB	Horizontal Bend	
Connection (con) ¹	E	End	
	B	Bottom	
	SL	Side Left	
	SR	Side Right	
Cable Length (cab) ¹	STD	Standard length (1ft./ 30cm) Hardwire Cable	
	CST	Custom length cable available (service charges apply). Specify details.	
Beam Angle (ba) Degrees	160°		
Light Output Lumens	2700K	218	per foot
	3000K	230	per foot
	3500K	239	per foot
	4000K	248	per foot
	5000K	265	per foot
CRI (cri) Colour Rendering Index	90		
IP Rating	IP67		
Dimensions with snap connector Width, Height, Length	W	0.47"	12 mm
	H	0.78"	20mm
	L	Supplied as 5 Meter Reels	
Watts	3W	per foot	
Input Voltage	AC 100V – 240V, 277V external transformer		
Dimmable	Yes With external dimmable transformer TRIAC		
Operating Temperature	-25°C to+50°C		-13°F to 122°F
	Power Rating = 3W/M when Temp=50 C		
Life Lumen Maintenance	50,000 hours		
Warranty	3 Years(Extended Warranty Available)		

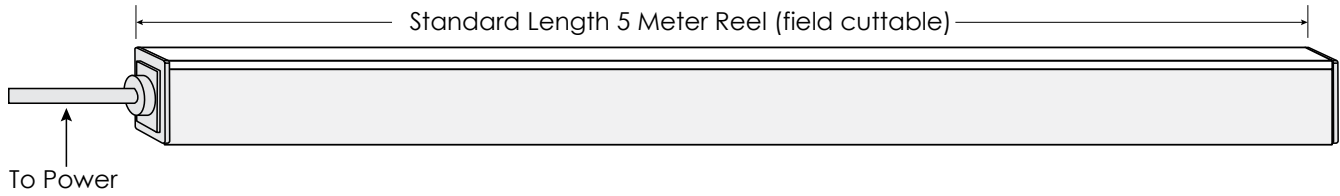
See connections page for alternative connector types and dimensions.

Part Number Configuration: GENIE_NEON-SIDE-bnd-ov-fin-lc-con-cab-90

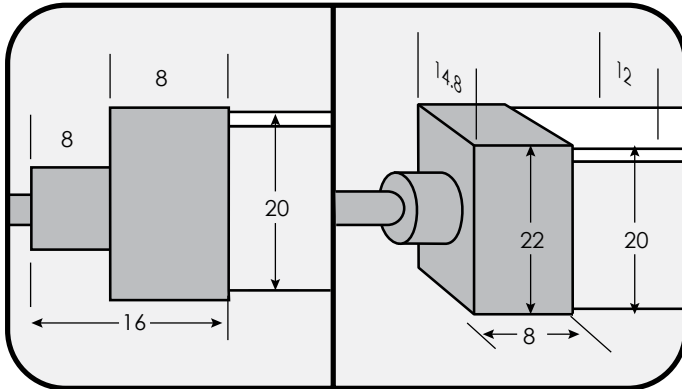
GENIE	SIDE	HB	24VDC	WHT				90
Category	Family	Bend (bnd)	Operating Voltage (ov)	Finish (fin)	Light Colour (lc)	Connection (con)	Cable Length (cab)	CRI (cri)
GENIE_NEON	SIDE	HB	24VDC	WHT White	2700K 3000K 3500K 4000K 5000K	E End ¹ B Bottom ¹ SL Side Left ¹ SR Side Right ¹	STD CST	90



GENIE Neon • Side • Connection Options

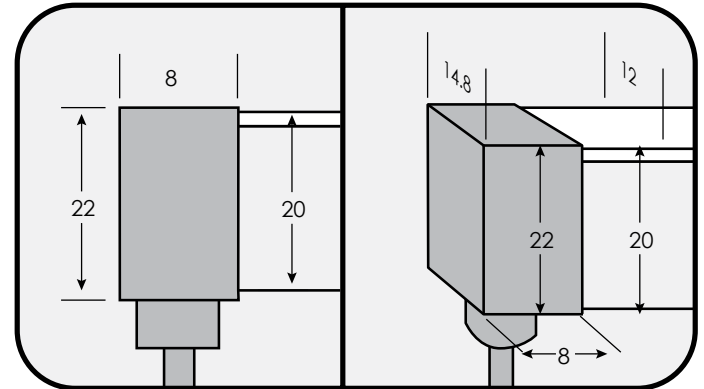


End Connect - E



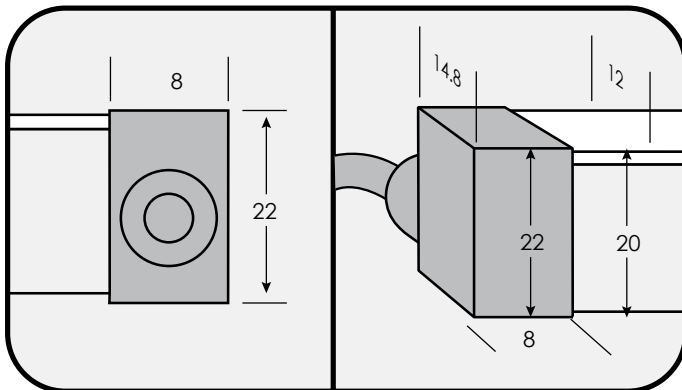
Injection Moulded Factory Installed

Bottom Connect - B



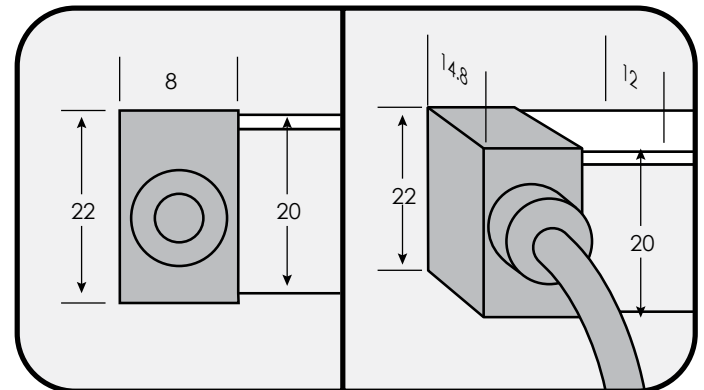
Injection Moulded Factory Installed

Side Left Connect - SL



Injection Moulded Factory Installed

Side Right Connect - SR

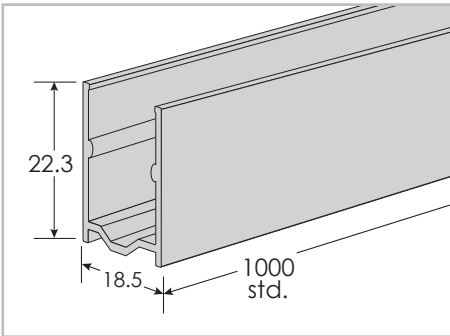
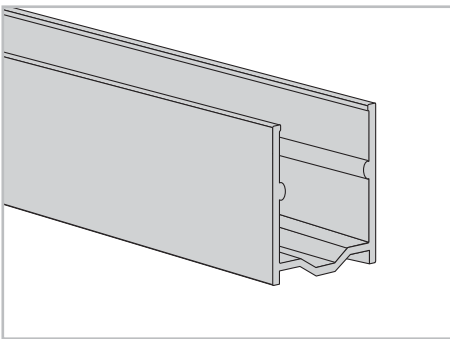
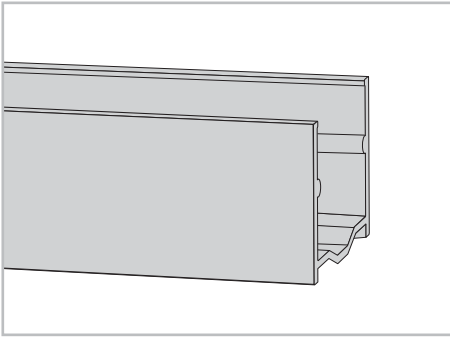


Injection Moulded Factory Installed

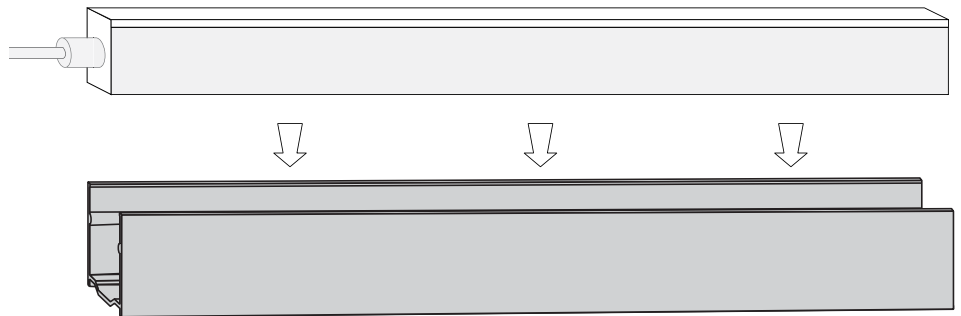




GENIE Neon• Side



Finish (fin)	SIL Silver
Lens (ln)	N None
Custom Length	Custom Track lengths available Please specify length in inches Standard length 1 m (39")
Housing	Aluminum
Compatible Lights	GENIE_NEON Side GENIE_NEON-SIDE-bnd-ov-fin-lc-con-cab-90
Installation Note	Suitable for undermount installations



Part Number Configuration: GENIE_TRACK-NEON_SIDE-1M-SIL-N

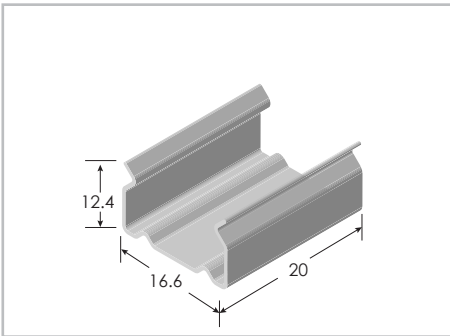
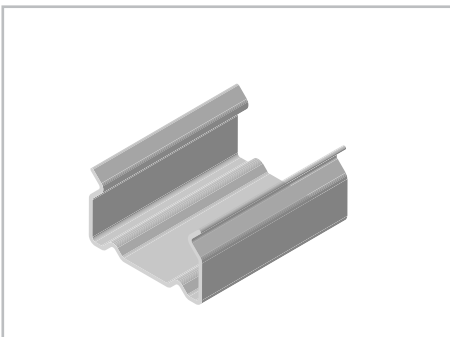
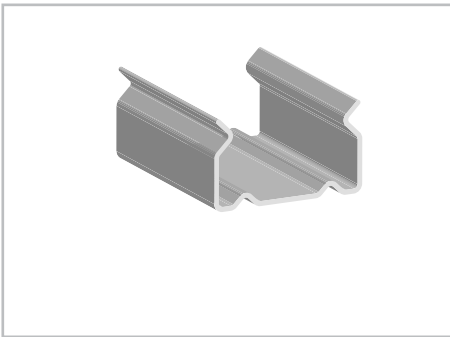
GENIE_TRACK	Neon-Side	1M	SIL	N
--------------------	------------------	-----------	------------	----------

Category	Family	Length	Finish	Lens
GENIE_PROFILE	Neon-Side	1M	SIL Silver	N None

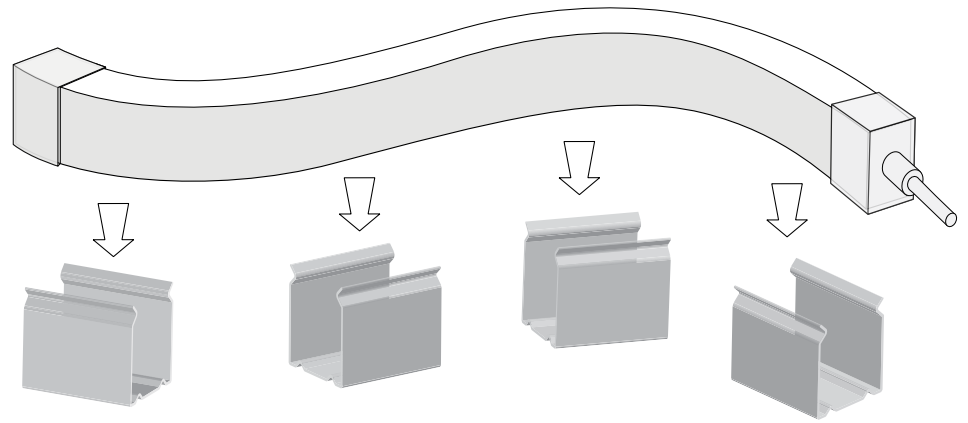




GENIE Neon • Side • Clip



Finish (fin)	SIL Silver
Lens (ln)	N None
Length	20 mm
Housing	Stainless Steel
Compatible Lights	GENIE_NEON Side GENIE_NEON-SIDE-bnd-ov-fin-lc-con-cab-90
Installation Note	Suitable for undermount installations



We recommend 4 clips per 1 meter of light.

Part Number Configuration: GENIE_CLIP-SIDE-20MM-SIL-N

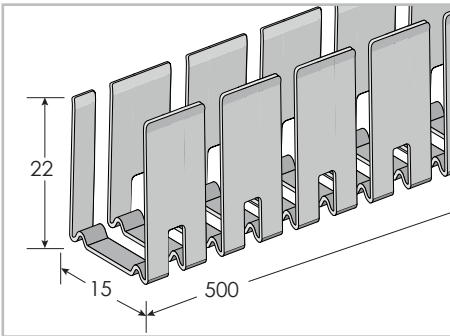
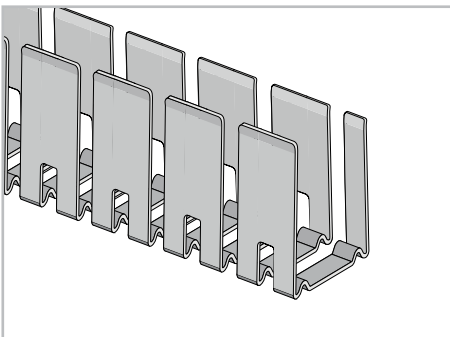
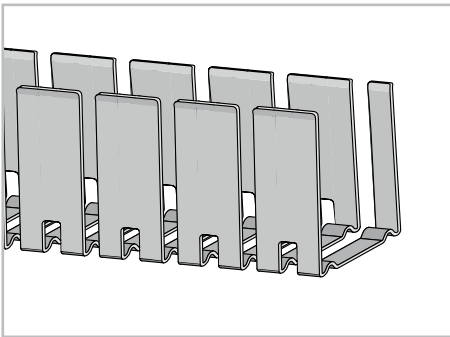
GENIE_CLIP	NEON_SIDE	20MM	SIL	N
-------------------	------------------	-------------	------------	----------

Category	Family	Length	Finish	Lens
GENIE_CLIP	NEON_SIDE	20 MM	SIL Silver	N None

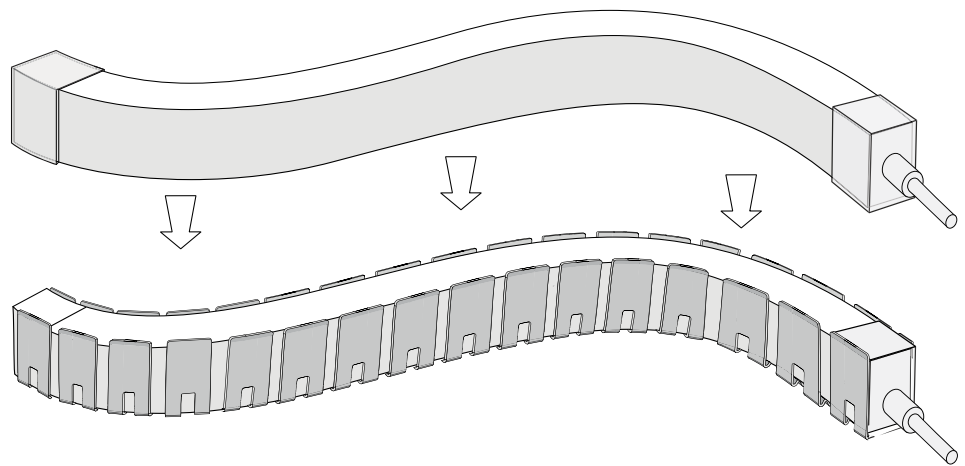




GENIE Neon • Side • Bendable Track



Finish (fin)	SIL Silver
Lens (ln)	N None
Custom Length	Custom Track lengths available Please specify length in inches Supplied as 0.5m sections
Housing	Aluminum
Compatible Lights	GENIE_NEON Side GENIE_NEON-SIDE-bnd-ov-fin-lc-con-cab-90
Installation Note	Suitable for undermount installations



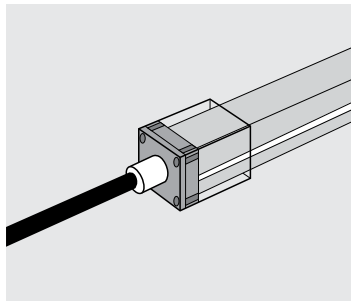
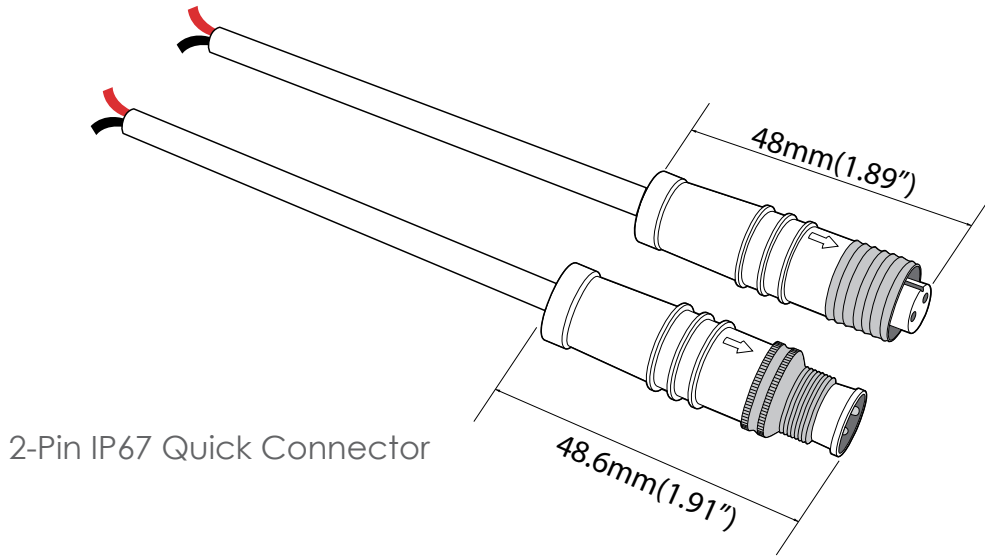
Part Number Configuration: GENIE_TRACK-NEON_SIDE-H_BND-500MM-SIL-N

GENIE_TRACK	NEON_SIDE	500M	SIL	N
Category	Family	Length	Finish	Lens
GENIE_TRACK	Neon_SIDE	500M	SIL Silver	N None

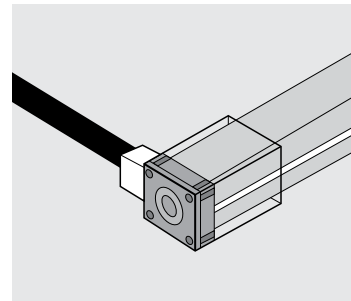




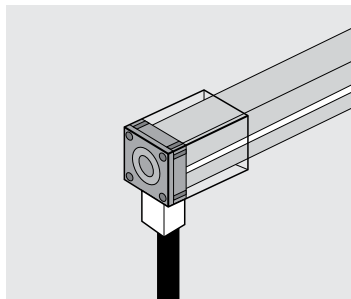
GENIE Neon • Square • Field Cutting Guide



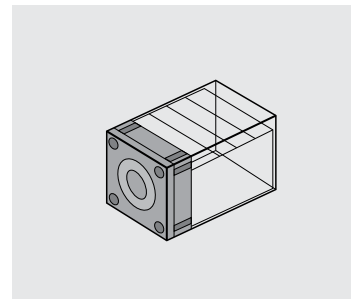
AE - Field Installed End [AE] Connector
P/N: GENIE_CONNECT-NEON_SQUARE-VB-AE



AL - Field Installed Side Left [AL] Connector
P/N: GENIE_CONNECT-NEON_SQUARE-VB-AL



AB - Field Installed Bottom [AB] Connector
P/N: GENIE_CONNECT-NEON_SQUARE-VB-Ab



AC - Field Installed End Cap [AC] Connector
P/N: GENIE_CONNECT-NEON_SQUARE-VB-AC



GENIE Neon • Side • Handling Guide

HORIZONTAL BEND

80mm 3.14"

Gently bend (along the SIDES) to create a 'C' or 'S' shape.
Bend LED Neon up to 80 millimetres.

GENIE NEON SIDE MAY BE HANDLED IN THE WAYS MENTIONED ABOVE

DO NOT HANDLE AS SHOWN BELOW. IT MAY DAMAGE YOUR LIGHT.

DO NOT twist.

DO NOT hang.
Light **MUST** be installed on a solid surface.

Factory installed End Connector shown.

GENIE Neon Side

Genie Neon Side is an ingenious solution for unique lighting applications. Side has LED diodes on the side of the strip rather than its face, so creative horizontally curved installations are effortless. Value engineered to provide the highest possible quality for the lowest cost, Side is perfect for uncommon indoor lighting installations and the rugged housing diffuses for smooth and even illumination. Side is available in a comprehensive array of single colour whites from 2300K to 5000K to fit any design concept.



Applications: Attention grabbing illumination for indoor and outdoor applications. Great for signage or facade lighting.



GENIE BY SGI

SGI
LIGHTING INC.