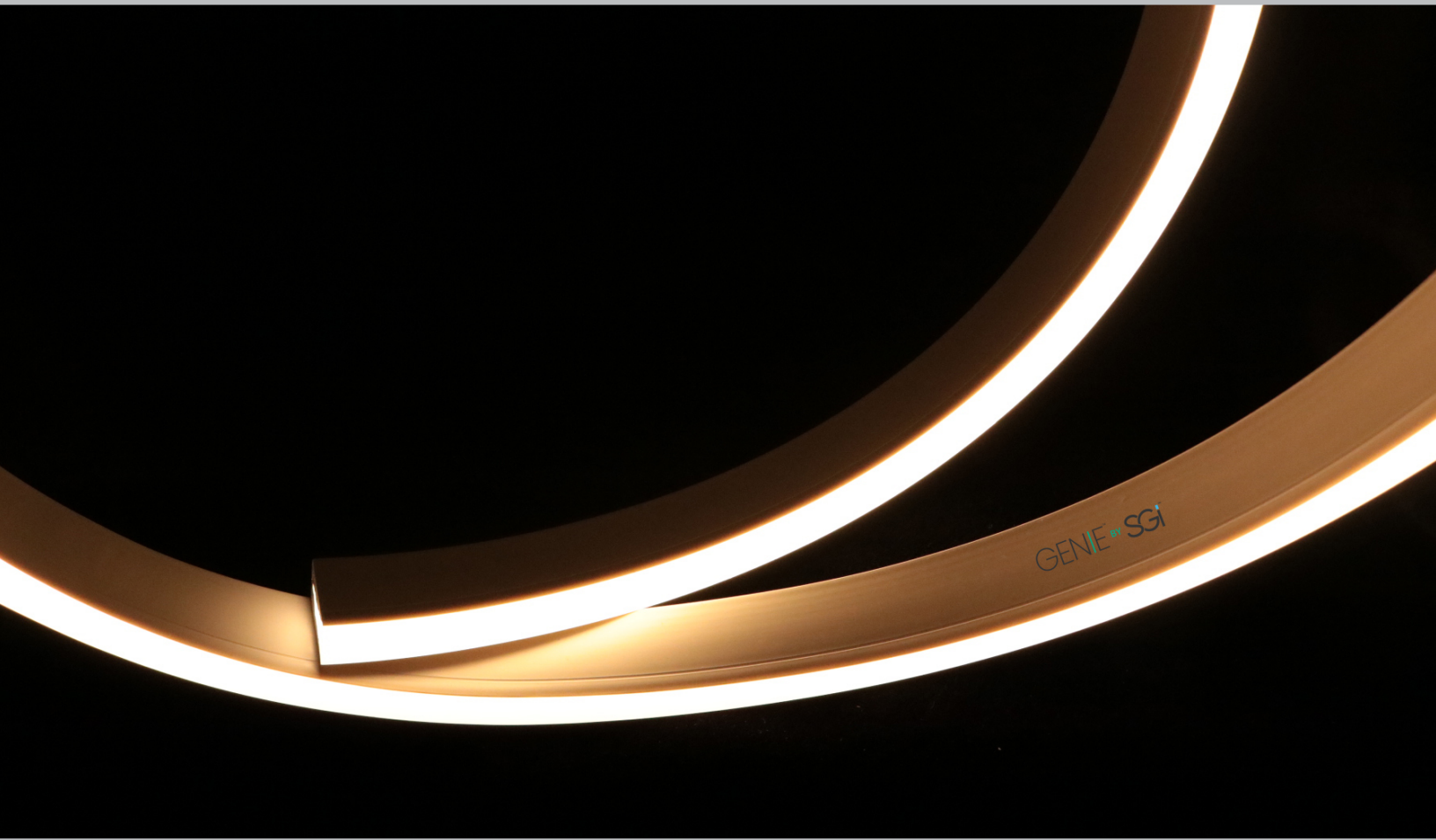


GENIE

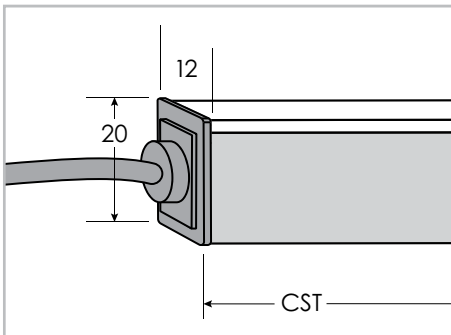
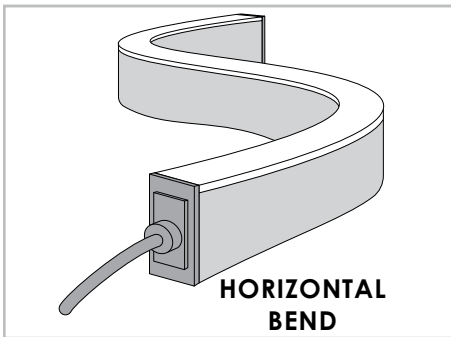
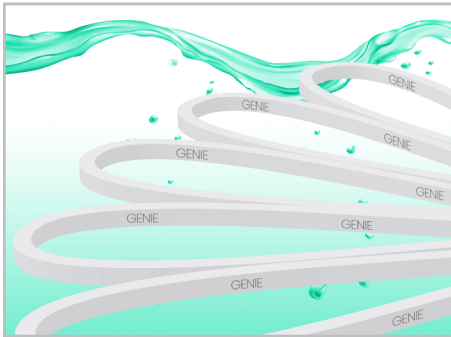


GENIE Neon Rugged



GENIE BY SGI

GENIE Neon • Rugged



Dimensions in millimeters.

Length	Available as Standard Length of 5 Meter Reels Custom Length available (service charges apply). Cuttable every 2"		
Operating Voltage (ov)	24V DC		
Finish (fin)	WHT	White	
Light Colour (lc) Correlated Colour Temperature (CCT)†	2700K	Incandescent White	
	3000K	Warm White	
	3500K	Sand White	
	4000K	Neutral White	
	5000K	Cool White	
Bend (bnd)	HB	Horizontal Bend	
Connection (con)³	E	End	
	B	Bottom	
	SL	Side Left	
	SR	Side Right	
Cable Length (cab)³	STD	Standard length (1ft./ 30cm) Hardwire Cable	
	CST	Custom length cable available (service charges apply). Specify details.	
Beam Angle (ba) Degrees	160°		
Light Output Lumens	2700K	319	per foot
	3000K	336	per foot
	3500K	349	per foot
	4000K	362	per foot
	5000K	388	per foot
CRI (cri) Colour Rendering Index	90 ¹		
IP Rating	IP68		
Dimensions with snap connector Width, Height, Length	W	0.47"	12 mm
	H	0.78"	20 mm
	L	Specify maximum length in inches ³	
Watts	4.57W per foot		
Input Voltage	AC 100V – 240V, 277V external transformer		
Dimmable	Yes	With external dimmable transformer TRIAC	
Operating Temperature	Power Rating = 5W/M when Temp=50 C		
Life Lumen Maintenance	50,000 hours		
Warranty	3 Years (Extended Warranty Available)		

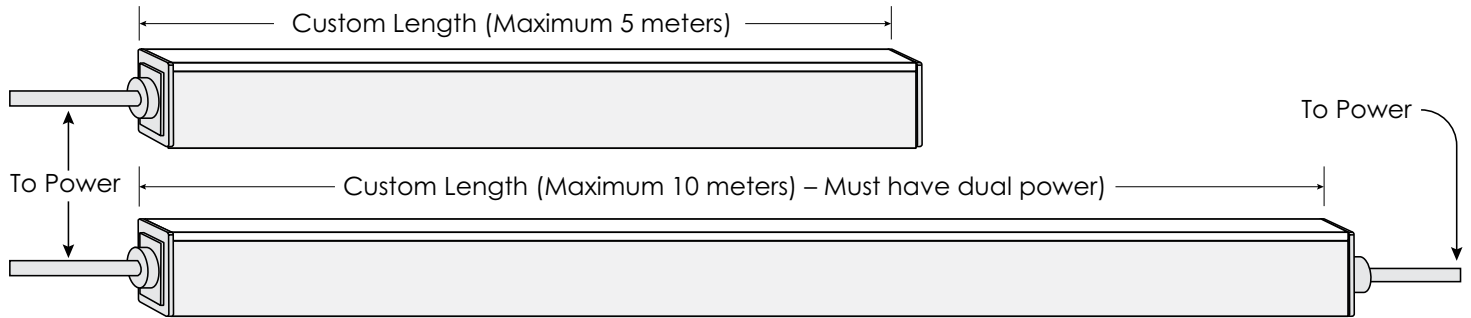
See connections page for alternative connector types and dimensions.

Part Number Configuration: GENIE_NEON-RUGGED-bnd-ov-fin-lc-con-cab-90

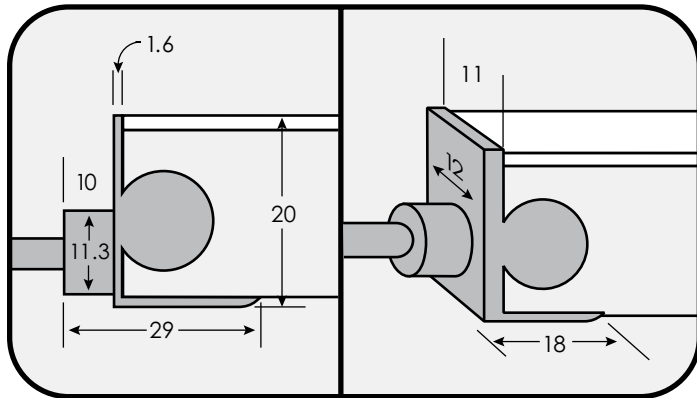
GENIE	RUGGED	HB	24VDC	WHT				90
Category	Family	Bend (bnd)	Operating Voltage (ov)	Finish (fin)	Light Colour (lc)	Connection (con)	Cable Length (cab)	CRI (cri)
GENIE_NEON	RUGGED	HB	24VDC	WHT White	2700K 3000K 3500K 4000K 5000K	E End ¹ B Bottom ¹ SL Side Left ¹ SR Side Right ¹	STD CST	90



GENIE Neon • Rugged • Connection Options

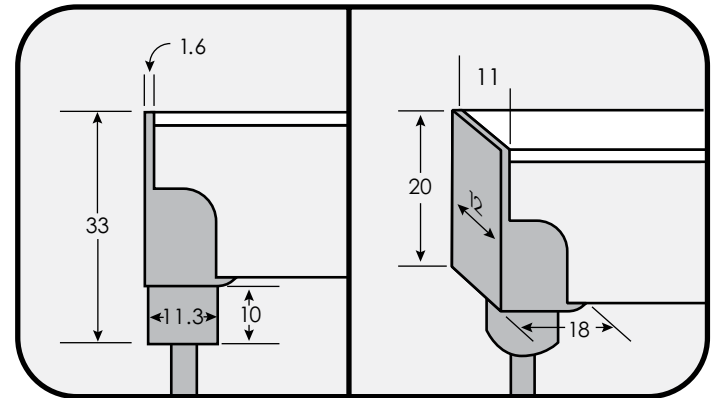


End Connect – E¹



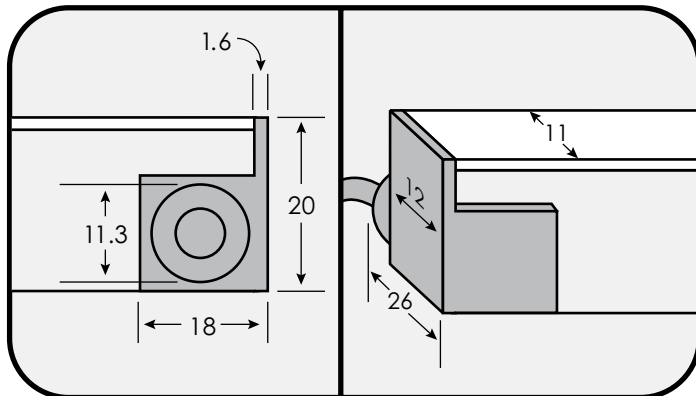
Injection Moulded Factory Installed

Bottom Connect – B¹



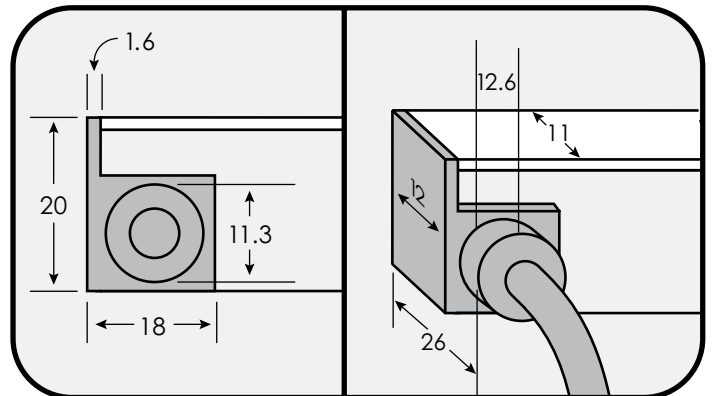
Injection Moulded Factory Installed

Side Left Connect – SL¹



Injection Moulded Factory Installed

Side Right Connect – SR¹



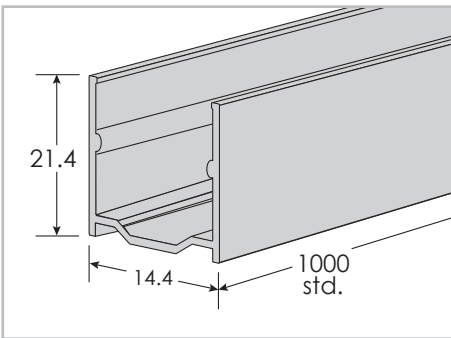
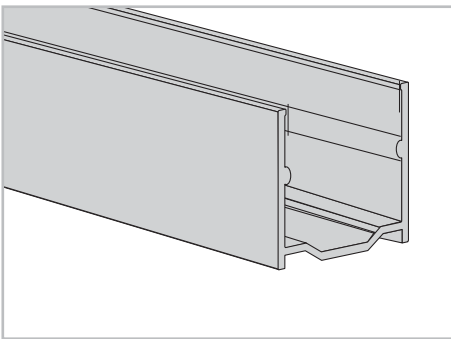
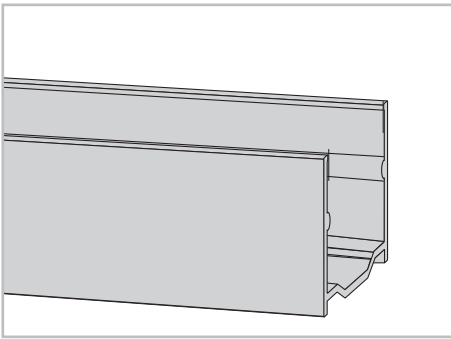
Injection Moulded Factory Installed

¹ SPECIAL ORDER. Please confirm availability. Allow for 4 – 6 weeks lead time.

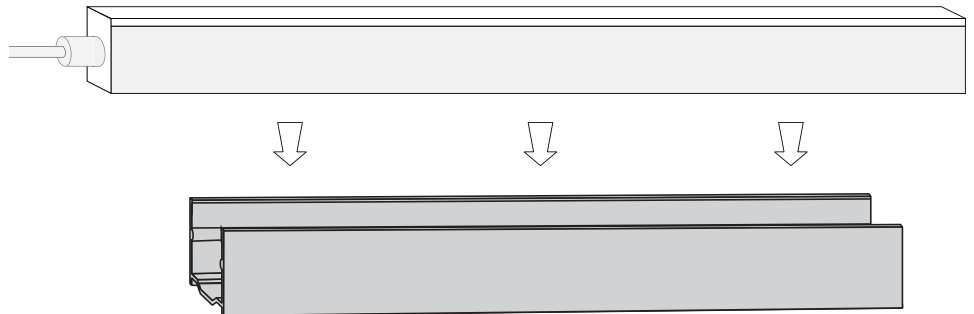
² Can be Field Installed.



GENIE Neon • Rugged • Track



Finish (fin)	SIL Silver
Lens (ln)	N None
Custom Length	Custom Track lengths available Please specify length in inches Standard length 1 m (39")
Housing	Aluminum
Compatible Lights	GENIE_NEON Rugged GENIE_NEON-RUGGED-bnd-ov-fin-lc-con-cab-cri
Installation Note	Suitable for undermount installations with internal clips



Part Number Configuration - GENIE_TRACK-NEON_RUGGED-1M-SIL-N

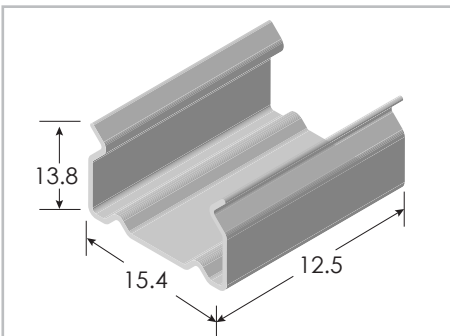
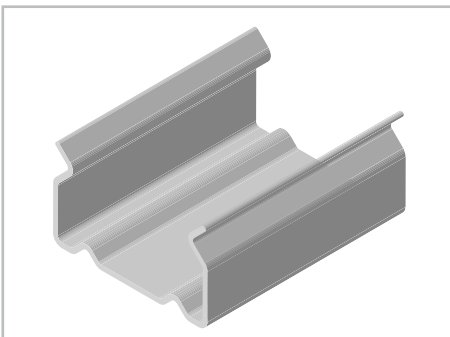
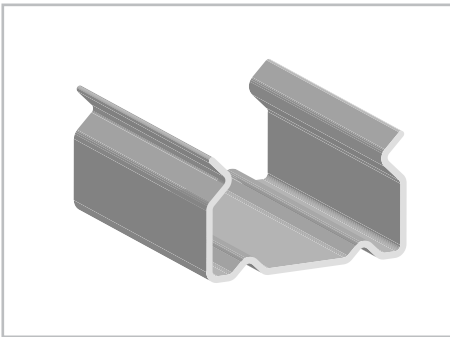
GENIE_TRACK	Neon-RUGGED	1M	SIL	N
--------------------	--------------------	-----------	------------	----------

Category	Family	Length	Finish	Lens
GENIE_TRACK	Neon-Rugged	1M	SIL Silver	N None

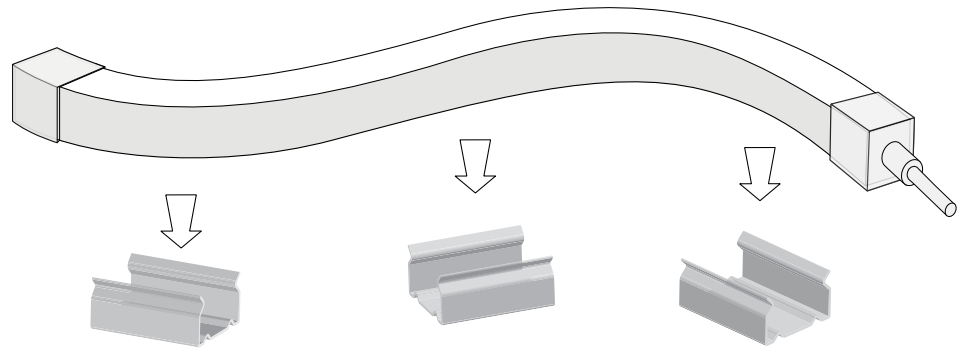




GENIE Neon • Rugged • Clip



Finish (fin)	SIL	Silver
Lens (ln)	N	None
Length	20 mm	
Housing	Aluminum	
Compatible Lights	GENIE Neon Rugged GENIE_NEON-RUGGED-bnd-ov-fin-lc-con-cab-cri	
Installation Note	Suitable for undermount installations with internal clips	



Part Number Configuration - GENIE_CLIP-NEON_RUGGED-20MM-SIL-N

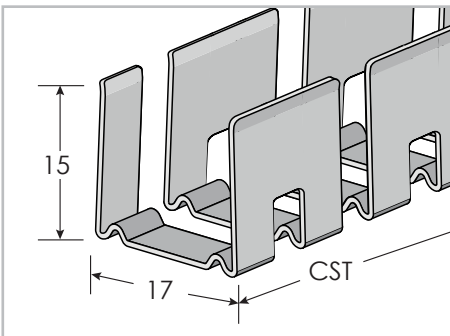
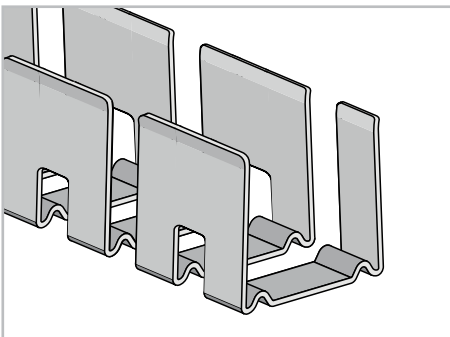
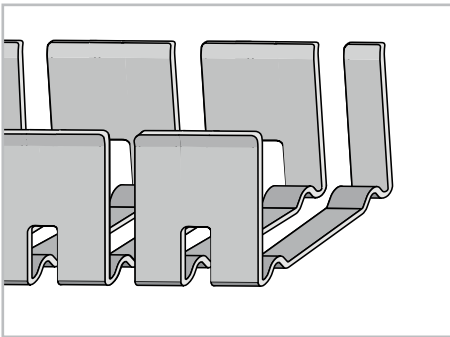
GENIE_CLIP	NEON-RUGGED	20MM	SIL	N
-------------------	--------------------	-------------	------------	----------

Category	Family	Length	Finish	Lens
GENIE_CLIP	NEON-Rugged	20 mm	SIL Silver	N None

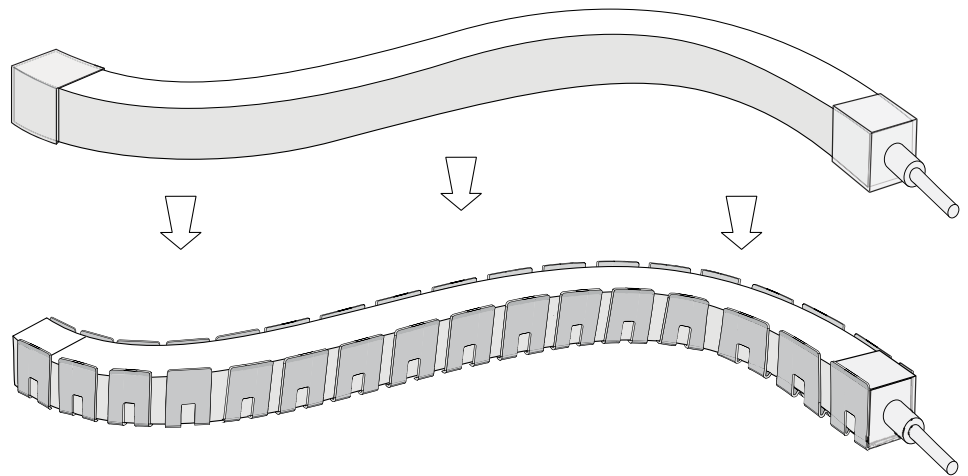




GENIE Neon • Rugged • Horizontal Bend



Finish (fin)	SIL Silver
Lens (ln)	N None
Custom Length	Custom Track lengths available Please specify length in inches Supplied as 0.5m sections
Housing	Aluminum
Compatible Lights	GENIE Neon Rugged GENIE_NEON-RUGGED-bnd-ov-fin-lc-con-cab-cri
Installation Note	Suitable for undermount installations



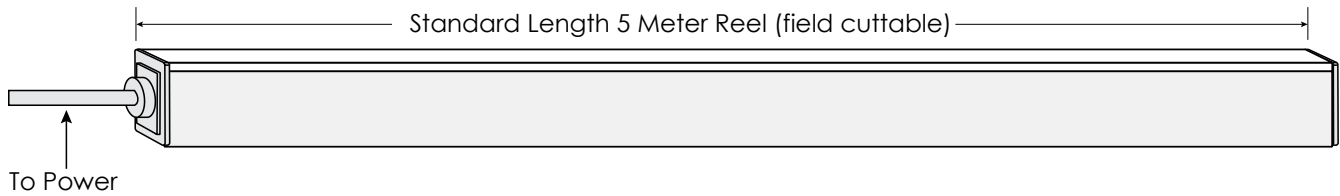
Part Number Configuration - GENIE_TRACK-NEON_RUGGED-H_BND-500MM-SIL-N

GENIE_TRACK	NEON-RUGGED	500MM	SIL	N
--------------------	--------------------	--------------	------------	----------

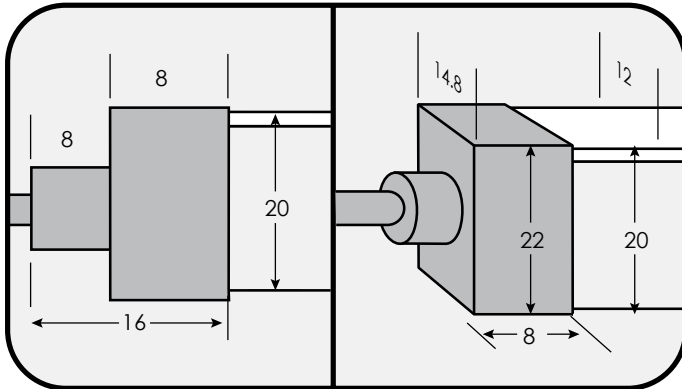
Category	Family	Length	Finish	Lens
GENIE_TRACK	NEON-Rugged	500MM	SIL Silver	N None



GENIE Neon • Side • Connection Options

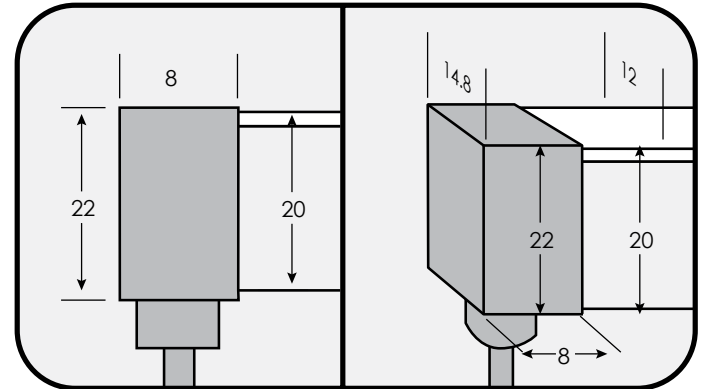


End Connect - E



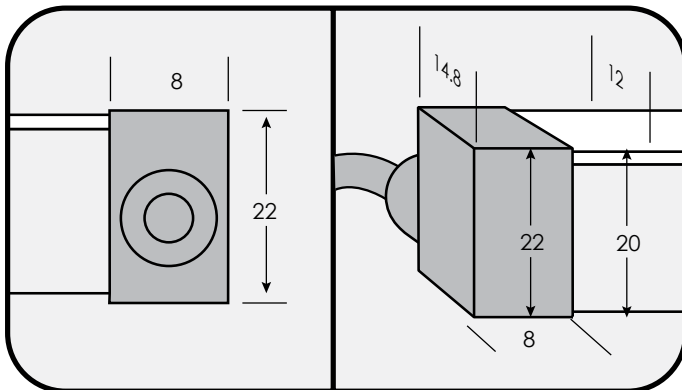
Injection Moulded Factory Installed

Bottom Connect - B



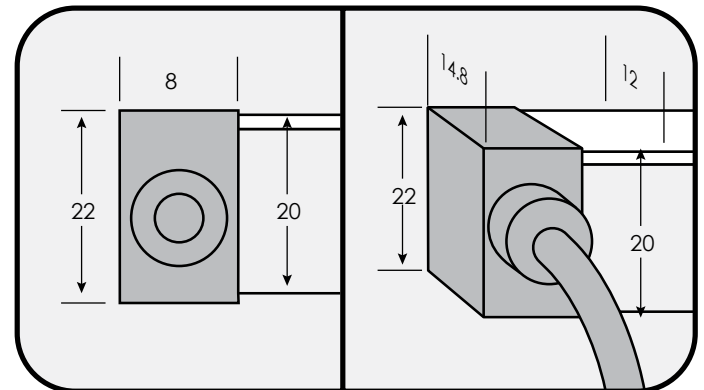
Injection Moulded Factory Installed

Side Left Connect - SL



Injection Moulded Factory Installed

Side Right Connect - SR

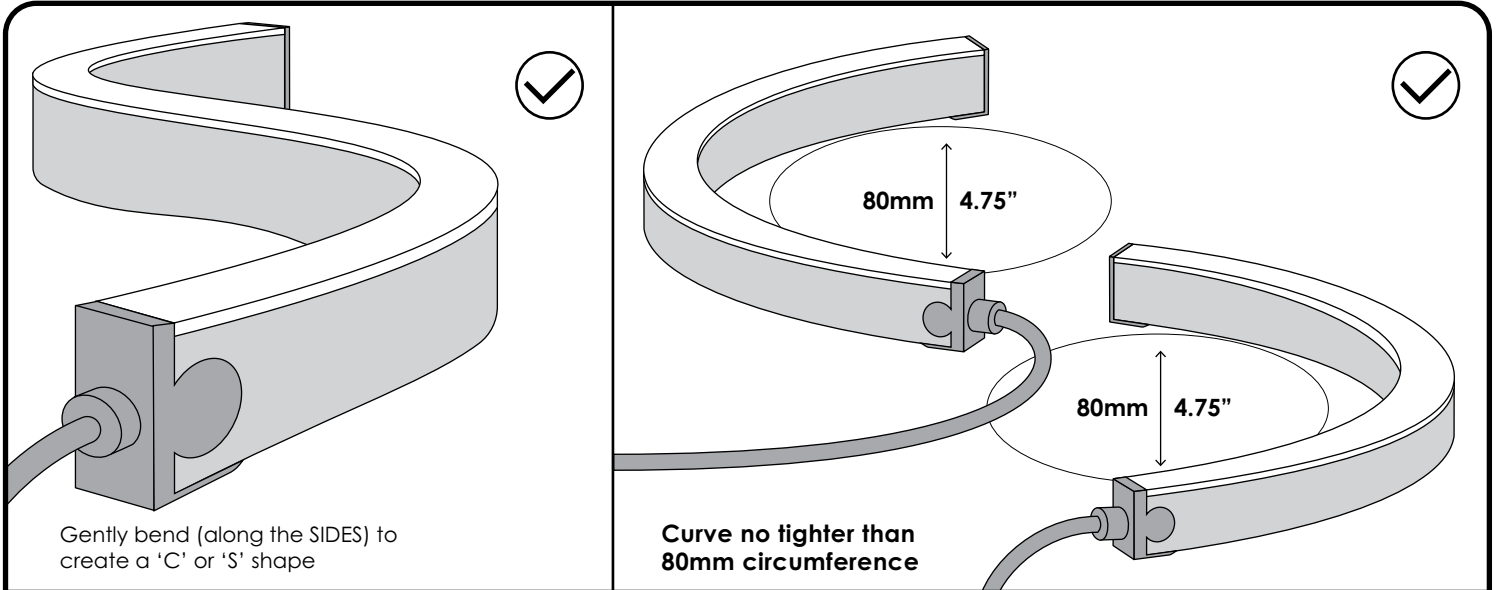


Injection Moulded Factory Installed



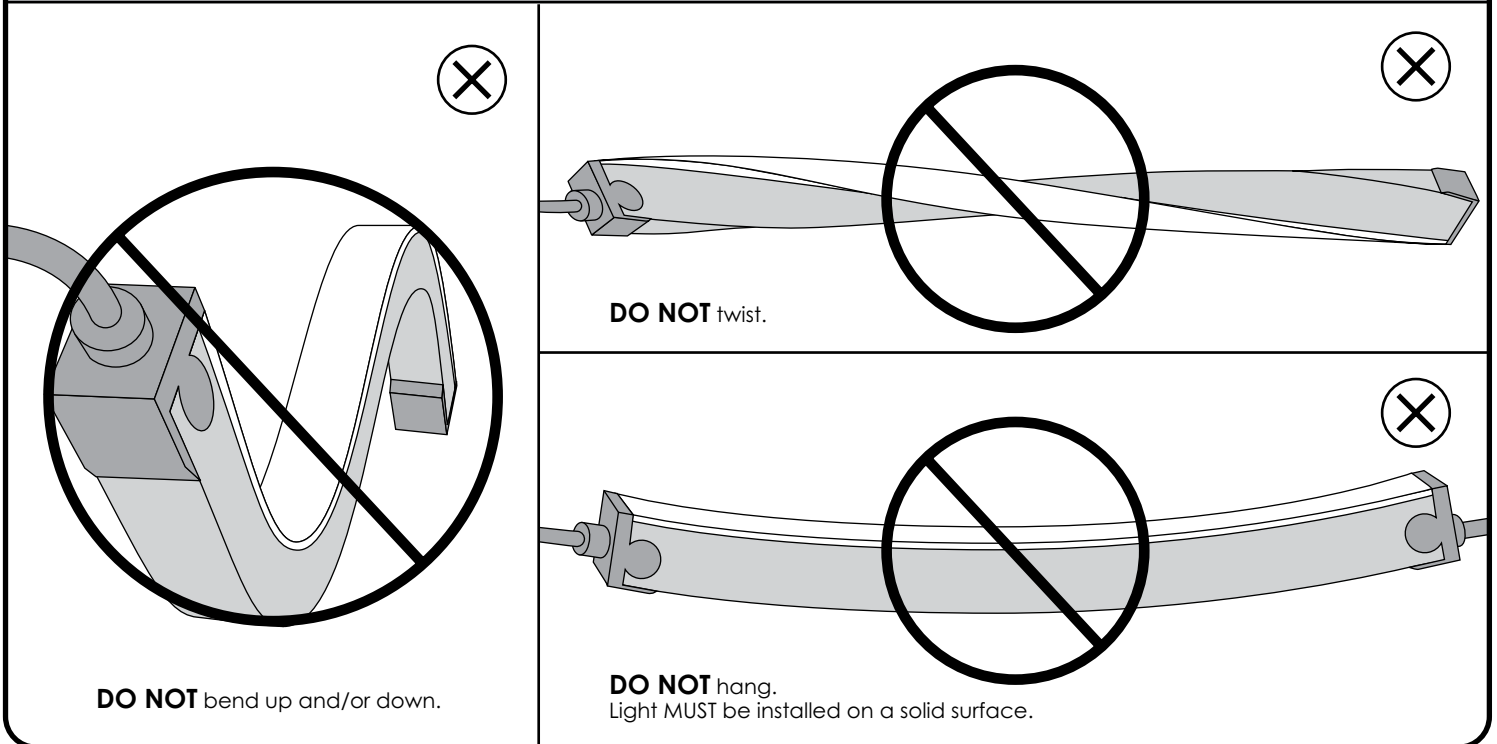


GENIE Neon • Rugged • Handling Guide



GENIE NEON RUGGED MAY BE HANDLED IN THE WAYS MENTIONED ABOVE

DO NOT HANDLE LED GENIE NEON RUGGED AS SHOWN BELOW. IT MAY DAMAGE YOUR LIGHT.



GENIE Neon Rugged

SGi's **Genie Neon Rugged** is an economical choice for exterior and damp applications. Rugged can be installed in areas of temporary submersion, or other locations that experience moderate amounts of moisture and inclement weather. Value engineered to provide the highest possible quality for the lowest cost, Rugged is a reliable option for outdoor installations on a budget. Rugged is available in a comprehensive array of single colour whites from 2300K to 6000K to fit any design concept.



Applications: Attention grabbing illumination for indoor and outdoor applications. Great for signage or facade lighting.



GENIE BY SGI

SGi
LIGHTING INC.