

# LED Flex Light

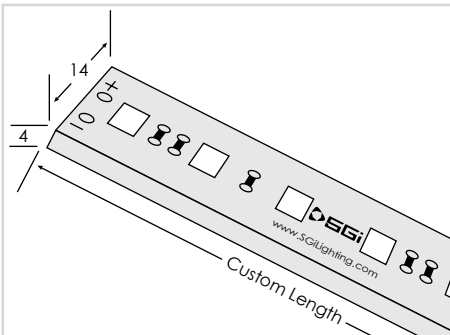
## UltraBright 5.2 Watt



High Output - UltraBright 5.2 Watt



# LED Flex Light • UltraBright 5.2 Watt



Dimensions in millimeters

|   |   |                                  |                |
|---|---|----------------------------------|----------------|
| <b>Length</b>   | Custom Length <sup>2</sup> cuttable every 3.2"(81.28 mm)  |                                  |                |
| <b>Operating Voltage</b>  | 24V DC  |                                  |                |
| <b>Finish (fin)</b>   | Rugged – silicone injected, available in:<br>WHT White PCB<br>BLK Black PCB <sup>1</sup>  |                                  |                |
| <b>Light Colour (lc)</b><br>Correlated Colour Temperature (CCT) | 2700K Incandescent White<br>3000K Warm White<br>3500K Sand White<br>4000K Neutral White<br>5000K Cool White<br>CST R Red, G Green, B Blue, A Amber <sup>3</sup> |                                  |                |
| <b>Beam Angle (ba)</b> Degrees                                  | 120°  |                                  |                |
| <b>Light Output</b><br>Lumens (at 90 CRI)                       | 2700K   | 520.1                            | per foot       |
|   | 3000K   | 547.4                            | per foot       |
|   | 3500K   | 576.2                            | per foot       |
|   | 4000K   | 605.1                            | per foot       |
|   | 5000K   | 635.3                            | per foot       |
| <b>CRI (cri)</b> Colour Rendering Index                         | 90  |                                  |                |
| <b>IP Rating</b>  | IP67  |                                  |                |
| <b>Dimension</b><br>Width, Height, Length                       | W   | 0.551"                           | 14 mm          |
|   | H   | 0.157"                           | 4 mm           |
|   | L   | Specify maximum length in inches |                |
| <b>Watts</b>  | 5.2 Watts per foot  |                                  |                |
| <b>Input Voltage</b>  | AC 100V – 240V, 277V external transformer   |                                  |                |
| <b>Dimmable</b>   | Yes With dimmable transformer<br>MLV, ELV, Phase or 0-10V.<br>Please specify at time of order. Sold separately.   |                                  |                |
| <b>Operating Temperature</b>                                    | -25°C to +50°C  |                                  | -13°F to 122°F |
| <b>Life Lumen Maintenance</b>                                   | 50,000 hours  |                                  |                |
| <b>Warranty</b>   | 5 Years   |                                  |                |

## Recommended Tracks

LP2410

REC2421

UCH2428

GENIE\_PROFILE-DOME

See track page for more compatible tracks. See individual track cutsheets for more details.

## Part Number Configuration

FLEX

ULTRA\_5.2W

24VDC

90

Category

Family (fam)

Operating Voltage

Finish (fin)

Light Colour (lc)

CRI (cri)

FLEX

ULTRA\_5.2W

24VDC

WHT White  
BLK Black<sup>1</sup>2700K  
3000K  
3500K  
4000K  
5000K  
CST<sup>3</sup>

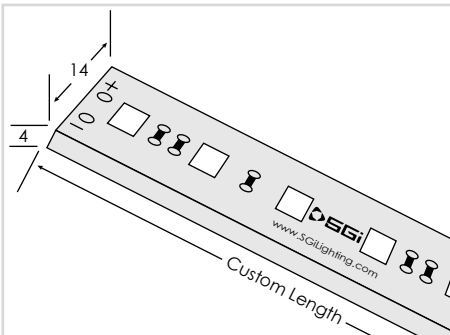
90



<sup>1</sup> SPECIAL ORDER. Please confirm availability. Allow for 4 – 6 weeks lead time. <sup>2</sup> See Connections page(s) for more details.

<sup>3</sup> SPECIAL ORDER: Available in single colour R Red, G Green, B Blue, A Amber.

# LED Flex Light • UltraBright 5.2 Watt IP68



Dimensions in millimeters

|   |   |  |                |
|---|---|--|----------------|
| <b>Length</b>   | Custom Length <sup>2</sup> cuttable every 3.2"(81.28 mm)  |  |                |
| <b>Operating Voltage</b>  | 24V DC  |  |                |
| <b>Finish (fin)</b>   | WHTC  | Clear White                                  |                |
|   | WHTF  | Frosted White <sup>1</sup>                   |                |
|   | BLKC  | Clear Black <sup>1</sup>                     |                |
| <b>Light Colour (lc)</b><br>Correlated Colour Temperature (CCT) | 2700K   | Incandescent White                           |                |
|   | 3000K   | Warm White                                   |                |
|   | 3500K   | Sand White                                   |                |
|   | 4000K   | Neutral White                                |                |
|   | 5000K   | Cool White                                   |                |
|   | CST   | R Red, G Green, B Blue, A Amber <sup>3</sup> |                |
|   | See RGB spec sheets for Colour Changing options   |  |                |
| <b>Beam Angle (ba)</b> Degrees                                  | 120°  |  |                |
| <b>Light Output</b><br>Lumens (at 90 CRI)                       | 2700K   | 520.1  | per foot       |
|   | 3000K   | 547.4  | per foot       |
|   | 3500K   | 576.2  | per foot       |
|   | 4000K   | 605.1  | per foot       |
|   | 5000K   | 635.3  | per foot       |
| <b>CRI (cri)</b> Colour Rendering Index                         | 90  |  |                |
| <b>IP Rating</b>  | IP68 <sup>1</sup>   |  |                |
| <b>Dimension</b><br>Width, Height, Length                       | W   | 0.551"                                       | 14 mm          |
|   | H   | 0.157"                                       | 4 mm           |
|   | L   | Specify maximum length in inches             |                |
| <b>Watts</b>  | 5.2 Watts per foot  |  |                |
| <b>Input Voltage</b>  | AC 100V – 240V, 277V external transformer   |  |                |
| <b>Dimmable</b>   | Yes With dimmable transformer<br>MLV, ELV, Phase or 0-10V.<br>Please specify at time of order. Sold separately. |  |                |
| <b>Operating Temperature</b>                                    | -25°C to +50°C  |  | -13°F to 122°F |
| <b>Life Lumen Maintenance</b>                                   | 50,000 hours  |  |                |
| <b>Warranty</b>   | 5 Years   |  |                |

## Recommended Tracks

LP2410

REC2421

UCH2428

GENIE\_PROFILE-DOME

See track page for more compatible tracks. See individual track cutsheets for more details.

## Part Number Configuration

|             |                        |              |  |           |
|-------------|------------------------|--------------|--|-----------|
| <b>FLEX</b> | <b>ULTRA_5.2W-IP68</b> | <b>24VDC</b> |  | <b>90</b> |
|-------------|------------------------|--------------|--|-----------|

| Category | Family (fam)                 | Operating Voltage | Finish (fin)  | Light Colour (lc)  | CRI (cri) |
|----------|------------------------------|-------------------|---|--|-----------|
| FLEX     | ULTRA_5.2W-IP68 <sup>1</sup> | 24VDC             | <b>WHTC</b> Clear White<br><b>WHTF</b> Frosted White <sup>1</sup><br><b>BLKC</b> Clear Black <sup>1</sup> | <b>2700K</b><br><b>3000K</b><br><b>3500K</b><br><b>4000K</b><br><b>5000K</b><br><b>CST<sup>3</sup></b> | 90        |



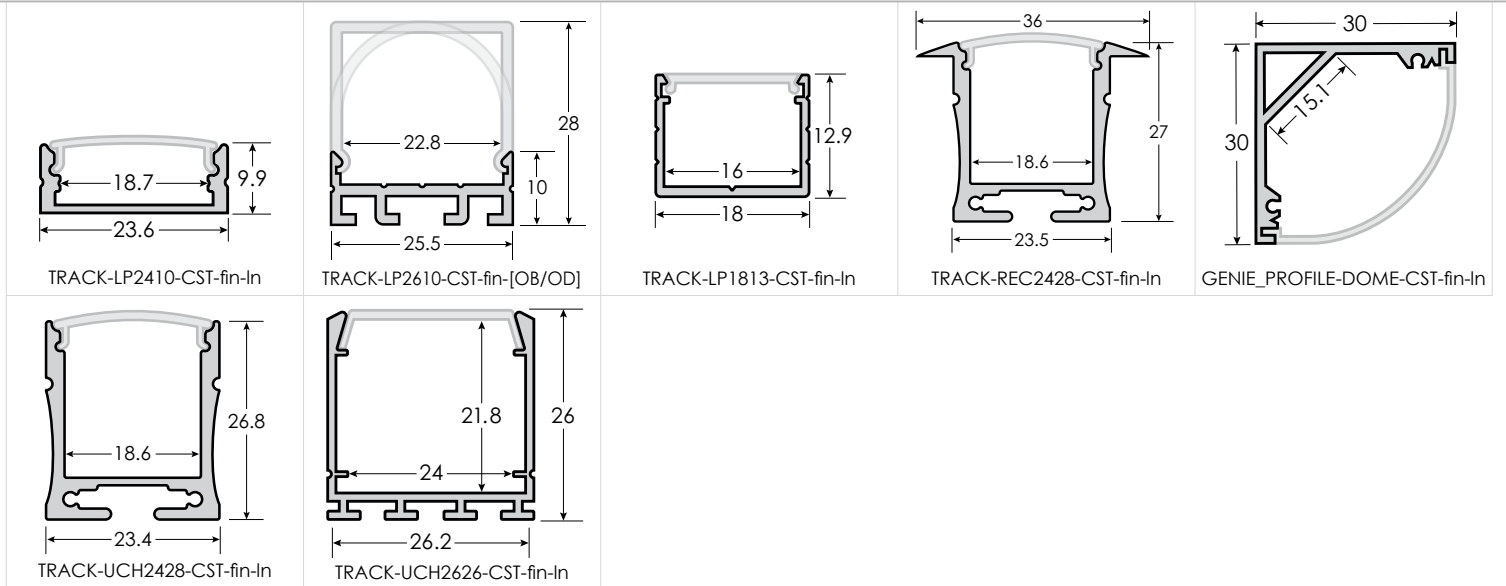
<sup>1</sup> SPECIAL ORDER. Please confirm availability. Allow for 4 – 6 weeks lead time. <sup>2</sup> See Connections page(s) for more details.

<sup>3</sup> SPECIAL ORDER: Available in single colour R Red, G Green, B Blue, A Amber.



# LED Flex Light • UltraBright 5.2 Watt • Track Options

Please visit our **products page** on our website to view all tracks, along with track specifications.





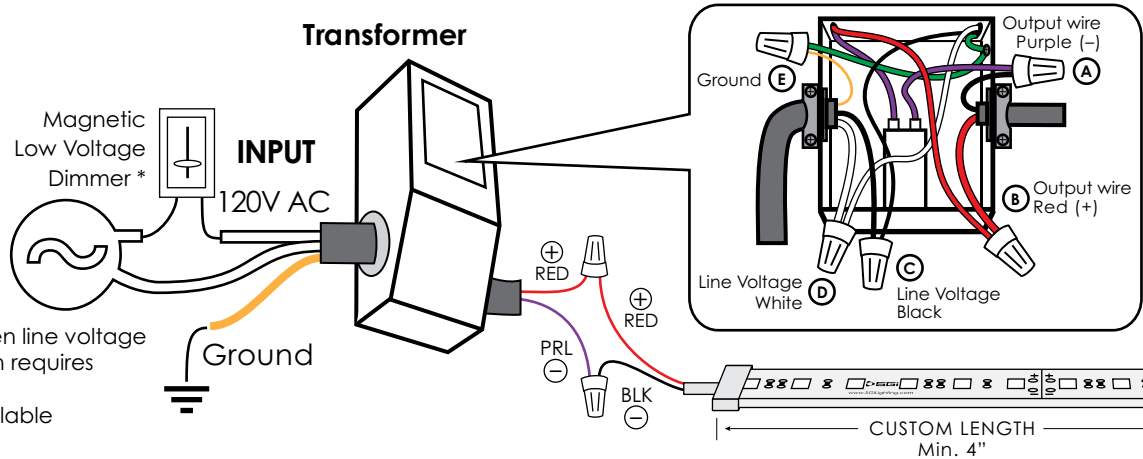
# LED Flex Light • UltraBright 5.2 Watt • Wiring

## LED FLEX – SINGLE COLOUR WIRING

**You will need:**

- Mareltes
- SGI LED Transformer(s)
- SGI LED Flex Light Strip(s)
- 18 AWG 2 conductor shielded cable

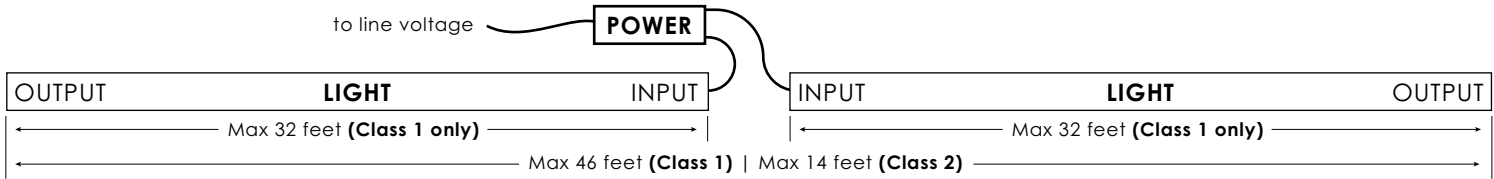
\* Dimmer switch is wired between line voltage and power supply, if installation requires dimming options.  
Non-dimmable drivers are available



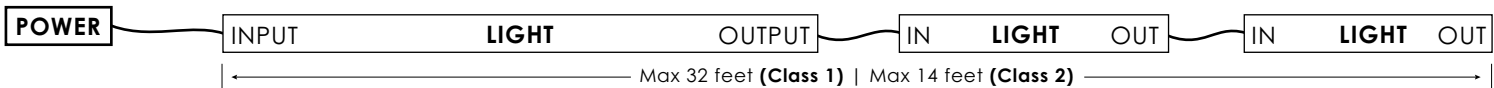
## LED FLEX – WIRING CONFIGURATION EXAMPLES

The following illustrations are guides only. They are here to introduce general wiring configurations. See wattage chart below for more information on maximum run lengths.

**HOMERUN** multiple light strips back to the power supply. Maximum light length is 32 feet on Class 1 transformers.



**CUSTOMIZE** with small jumpers to incorporate unique lengths into run. Homerun back to power supply after 32 ft (Class 1 only).



## FLEX-ULTRA\_5.2W-ov-fin-lc-90 – POWER-36-24VDC-watt DIMMABLE (12VDC Power options available)

| Power Supply                             | 20 Watt class 2 | 40 Watt class 2 | 60 Watt class 2 | 96 Watt class 2 | 150 Watt class 1 | 200 Watt class 1 | 300 Watt class 1 |
|--|-----------------|-----------------|-----------------|-----------------|------------------|------------------|------------------|
| <sup>1</sup> Max ft of light             | 3 ft            | 6 ft            | 9 ft            | 14 ft           | 23 ft            | 30 ft            | 46 ft*           |
| Max cable distance between power & light | 12AWG >300ft    | 12AWG 189ft     | 12AWG 126ft     | 12AWG 68ft      | 12AWG 46ft       | 12AWG 35ft       | 12AWG 23ft       |
|  | 14AWG 238ft     | 14AWG 119ft     | 14AWG 79ft      | 14AWG 43ft      | 14AWG 29ft       | 14AWG 21ft       | 14AWG 14ft       |
|  | 16AWG 149ft     | 16AWG 74ft      | 16AWG 49ft      | 16AWG 27ft      | 16AWG 18ft       | 16AWG 13ft       | 16AWG 9ft        |
|  | 18AWG 94ft      | 18AWG 47ft      | 18AWG 31ft      | 18AWG 17ft      | 18AWG 11ft       | 18AWG 9ft        | 18AWG 6ft        |

\* Every 32 linear feet of light must be home-run to transformer. \*\*All installations in North America must follow Class 2 requirements.

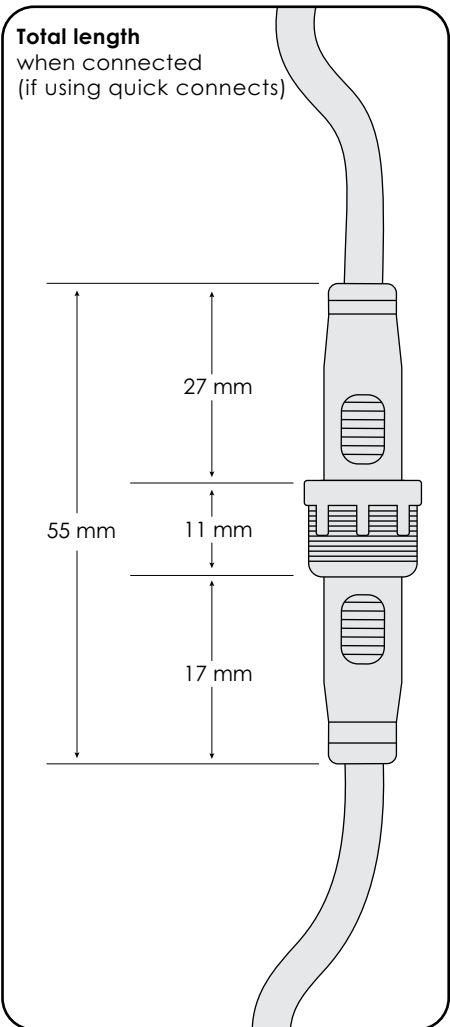
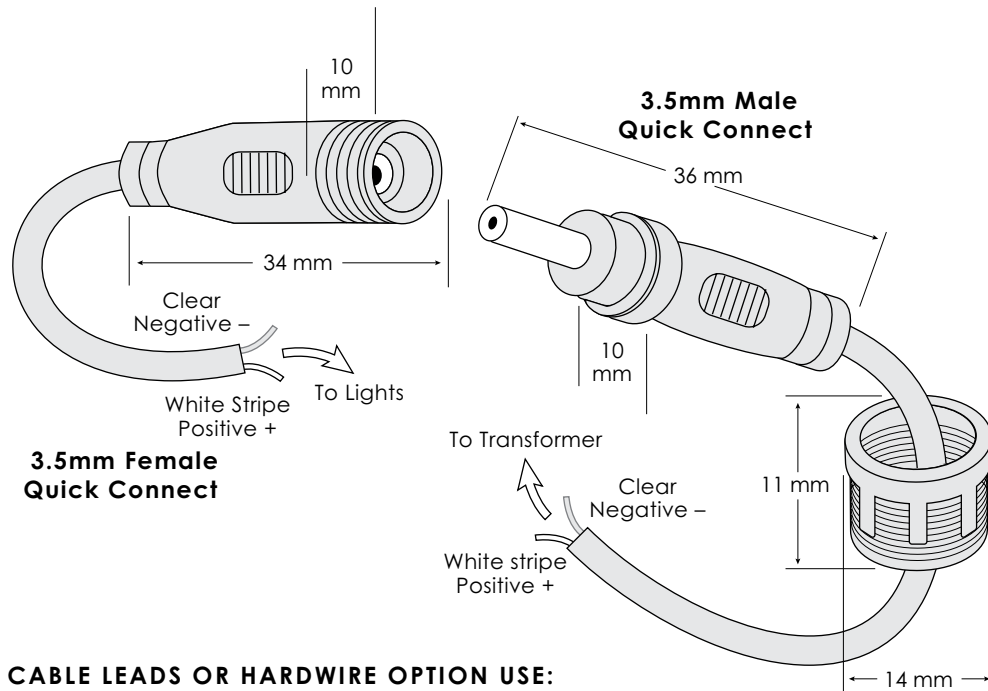
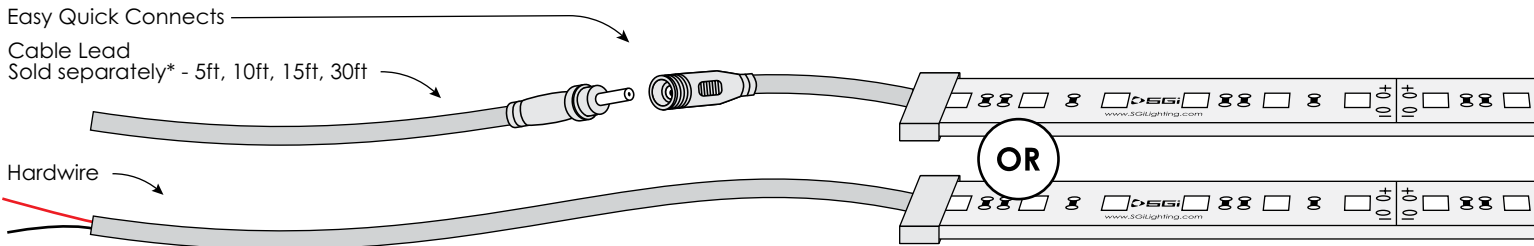
<sup>1</sup>At 80% capacity



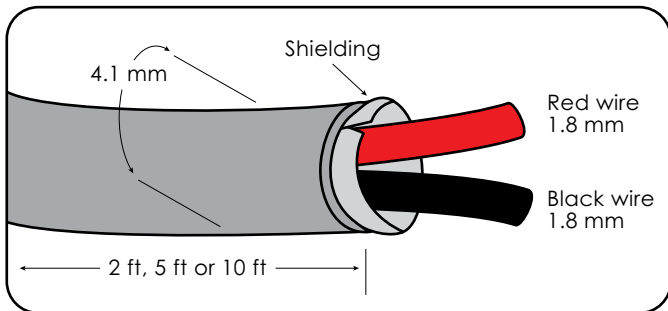


# LED Flex Light • UltraBright 5.2 Watt • Cable Options

Cable Options for Single Colour – **Choose between Quick Connect or Hardwire option**  
**Choose between 5 Ft, 10 Ft, 15 Ft or 30 Ft cable leads**



**CABLE LEADS OR HARDWIRE OPTION USE:**  
**18AWG 2 Conductor Shielded Cable | CABLE-18AWG-GRY-2S**



- \* CABLE-POWER-5FT-3.5M03-18AWG-GRY-2SP
- CABLE-POWER-10FT-3.5M03-18AWG-GRY-2SP
- CABLE-POWER-15FT-3.5M03-18AWG-GRY-2SP
- CABLE-POWER-30FT-3.5M03-18AWG-GRY-2SP





# LED Flex Light UltraBright 5.2 Watt

SGi's UltraBright 5.2 Watt Flex Light is a trusted solution for specialized and technical installations. UltraBright 5.2 Watt's high light output and compact size makes it ideal for applications where distinct lighting is required. Engineered to provide the highest possible quality available, UltraBright 5.2 Watt is a proven option for indoor and outdoor installations where precision is the most important factor. UltraBright 5.2 Watt is available in a comprehensive array of single colour whites from 2300K to 6000K and single colours. Pair with LED Track to achieve a directional or diffused lighting effect.

