

LED Flex Light

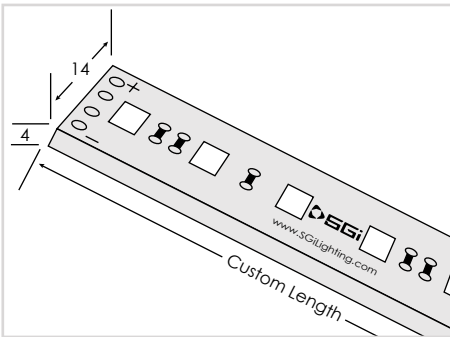
UltraBright 4.4 Watt RGB



High Output - UltraBright 4.4 Watt RGB



LED Flex Light • UltraBright 4.4 Watt RGB



Dimensions in millimeters

Length	Custom Length ² cuttable every 4.0"(101.6 mm)
Operating Voltage	24V DC
Finish (fin)	Rugged – silicone injected, available in: WHT White PCB BLK Black PCB ¹
Light Colour (lc) Correlated Colour Temperature (CCT)	RGB Colour Changing Also available in Whites and Single Colours Please see individual product spec sheets
Beam Angle (ba) Degrees	120°
Light Output Lumens	RGB White 336.6 per foot
IP Rating	IP67
Dimension Width, Height, Length	W 0.551" 14 mm H 0.157" 4 mm L Specify maximum length in inches
Watts	4.4 Watts per foot
Input Voltage	AC 100V – 240V, 277V external transformer
Dimmable	Yes With dimmable transformer MLV, ELV, Phase or 0-10V. Please specify at time of order. Sold separately.
Operating Temperature	-25°C to +50°C -13°F to 122°F
Life Lumen Maintenance	50,000 hours
Warranty	5 Years

Recommended Tracks

LP2410

REC2421

UCH2428

GENIE_PROFILE-DOME

See track page for more compatible tracks. See individual track cutsheets for more details.

Part Number Configuration

FLEX	ULTRA_4.4W	24VDC		RGB
Category	Family (fam)	Operating Voltage (ov)	Finish (fin)	Light Colour (lc)
FLEX	ULTRA_4.4W	24V DC	WHT White BLK Black ¹	RGB

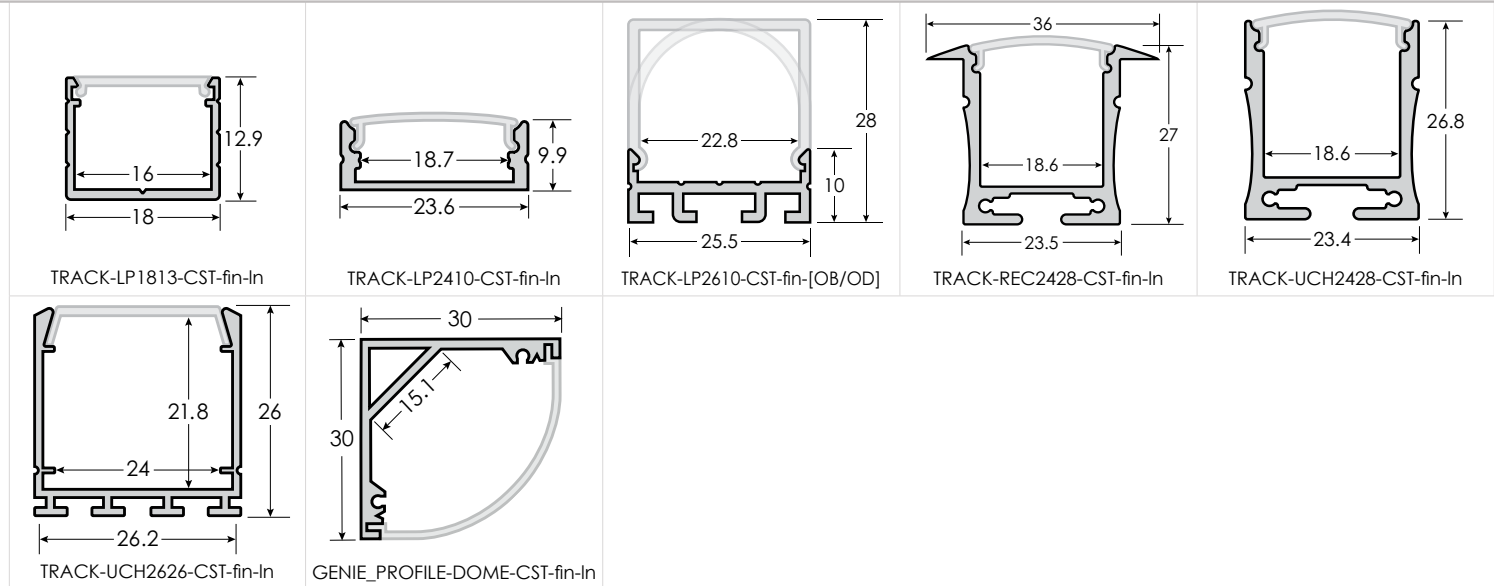


¹ SPECIAL ORDER. Please confirm availability. Allow for 4 – 6 weeks lead time. ² See Connections page(s) for more details.



LED Flex Light • UltraBright 4.4 Watt RGB • Track Options

Please visit our **products page** on our website to view all tracks, along with track specifications.





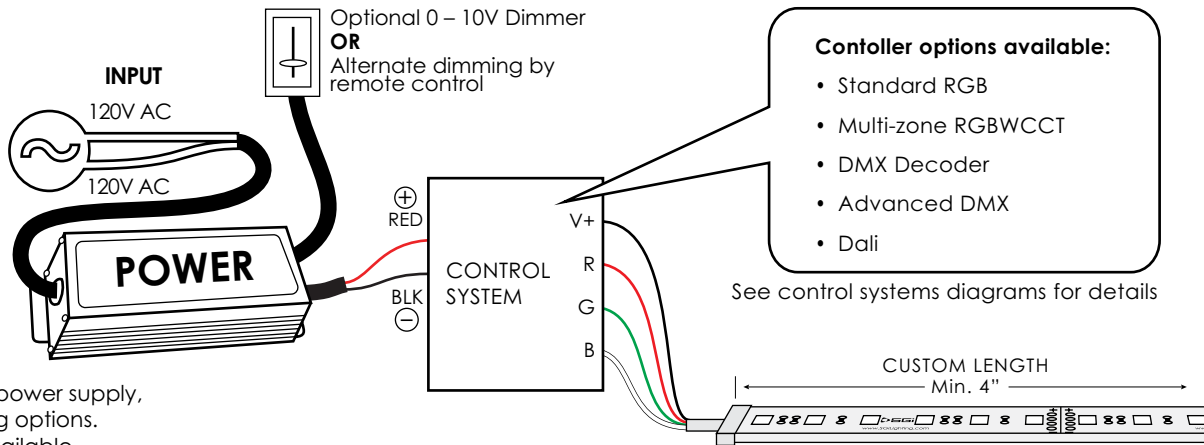
LED Flex Light • UltraBright 4.4 Watt RGB • Wiring

LED FLEX – RGB WIRING

To Start:

You will need:

- SGI LED Transformer(s)
- SGI LED Control System(s)
- SGI LED Flex Light Strip(s)
- 18 AWG 4 conductor shielded cable



* Dimmer switch is wired off of power supply, if installation requires dimming options. Non-dimmable drivers are available

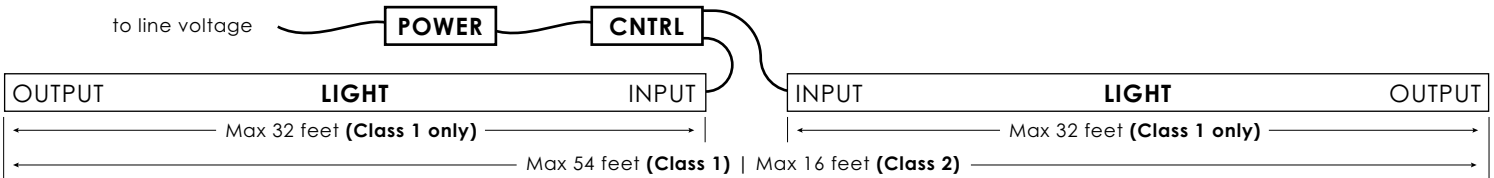
- Controller options available:**
- Standard RGB
 - Multi-zone RGBWCCT
 - DMX Decoder
 - Advanced DMX
 - Dali

See control systems diagrams for details

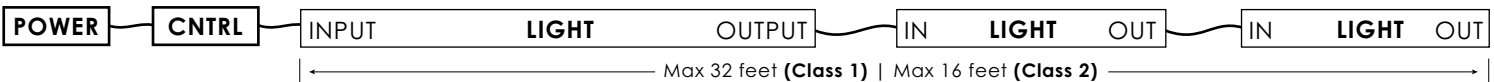
LED FLEX – WIRING CONFIGURATION EXAMPLES

The following illustrations are guides only. They are here to introduce general wiring configurations. See wattage chart below for more information on maximum run lengths.

HOMERUN multiple light strips back to the power supply. Maximum light length is 32 feet on Class 1 transformers.



CUSTOMIZE with small jumpers to incorporate unique lengths into run. Homerun back to power supply after 32 ft (Class 1 only).



FLEX-ULTRA_4.4W-ov-fin-RGB – POWER-21-24VDC-watt DIMMABLE (12VDC Power options available)

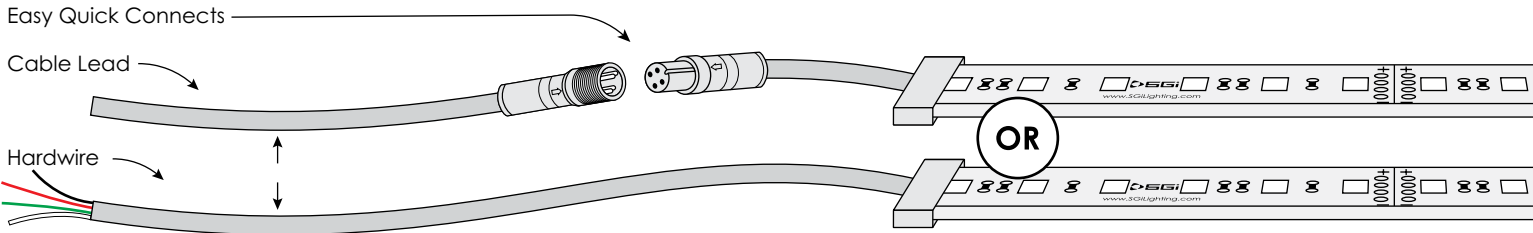
Power Supply	20 Watt class 2	40 Watt class 2	60 Watt class 2	96 Watt class 2	150 Watt class 1	200 Watt class 1	300 Watt class 1
¹ Max ft of light	3 ft	7 ft	10 ft	17 ft	27 ft	36 ft*	54 ft*
Max cable distance between power & light	12AWG >300ft	12AWG 189ft	12AWG 126ft	12AWG 68ft	12AWG 46ft	12AWG 35ft	12AWG 23ft
	14AWG 238ft	14AWG 119ft	14AWG 79ft	14AWG 43ft	14AWG 29ft	14AWG 21ft	14AWG 14ft
	16AWG 149ft	16AWG 74ft	16AWG 49ft	16AWG 27ft	16AWG 18ft	16AWG 13ft	16AWG 9ft
	18AWG 94ft	18AWG 47ft	18AWG 31ft	18AWG 17ft	18AWG 11ft	18AWG 9ft	18AWG 6ft

* Every 32 linear feet of light must be home-run to transformer. **All installations in North America must follow Class 2 requirements. ¹At 80% capacity

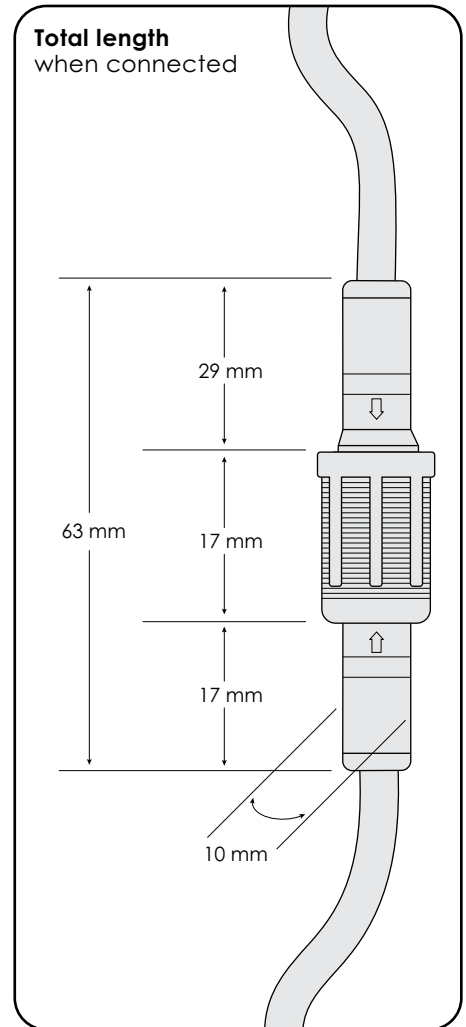
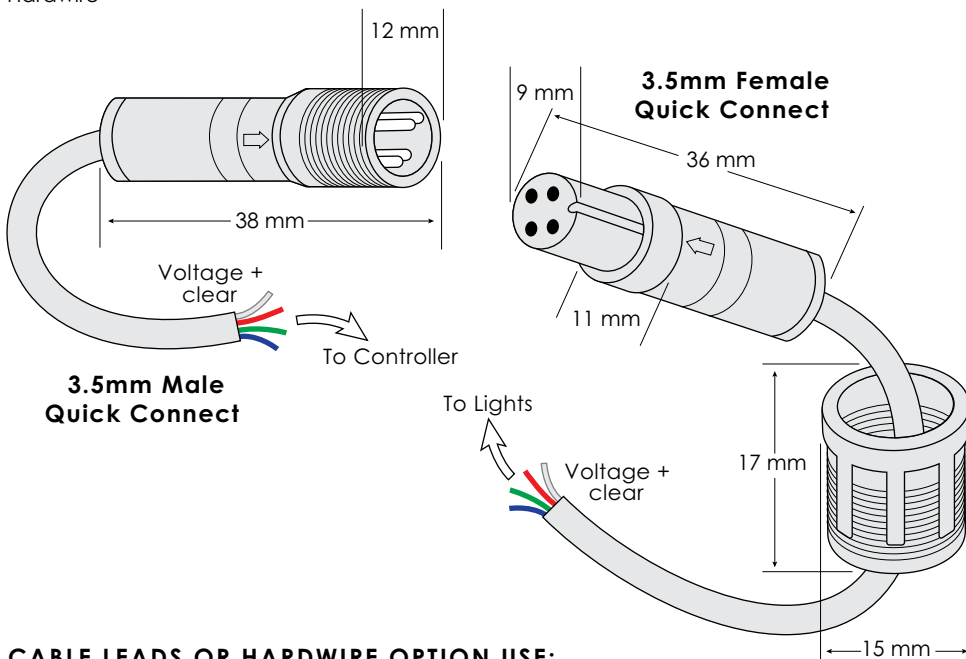


LED Flex Light • UltraBright 4.4 Watt RGB • Cable Options

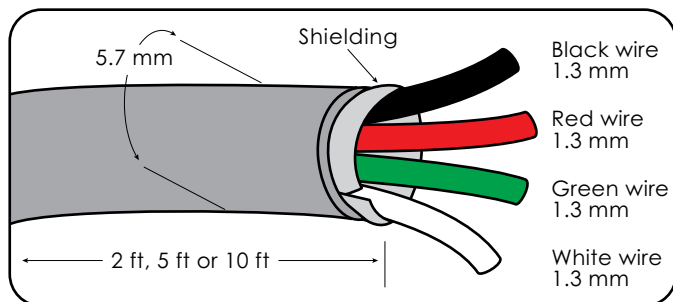
Cable Options for Colour Changing – **Choose between Quick Connect or Hardwire option**
Choose between 2 Ft, 5 Ft or 10 Ft cable leads



Hardwire



CABLE LEADS OR HARDWIRE OPTION USE:
18AWG 4 Conductor Shielded Cable | CABLE-18AWG-GRY-4S



LED Flex Light UltraBright 4.4 Watt RGB

SGi's UltraBright 4.4 Watt RGB is a versatile choice for unconventional and exciting lighting installations. UltraBright 4.4 Watt RGB's small and compact size allows it to be hidden from view, perfect for undercabinet and other unobtrusive areas. Engineered to provide the highest possible quality available, UltraBright 4.4 Watt RGB is a great option for distinct and creative lighting designs. Available in a dazzling multi-colour colour changing RGB. Pair with LED Track to achieve a directional or diffused lighting effect.

