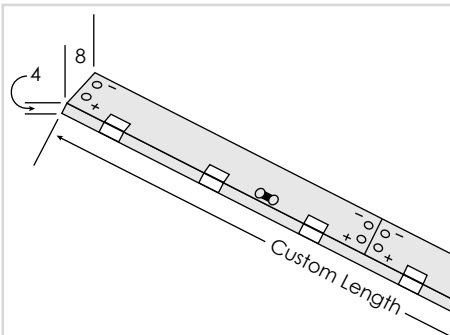


## LED Flex Light • SideView 1.83 Watt



Dimensions in millimeters.

<b>Length</b>	Custom Length <sup>2</sup> cuttable every 2.0" (50.8 mm)		
<b>Operating Voltage</b>	24V DC		
<b>Finish (fin)</b>	Bare board (no covering), available in: WHT White PCB BLK Black PCB <sup>1</sup>		
<b>Light Colour (lc)</b> Correlated Colour Temperature (CCT)	2700K	Incandescent White	
	3000K	Warm White	
	3500K	Sand White	
	4000K	Neutral White	
	5000K	Cool White	
	CST	R Red, G Green, B Blue, A Amber <sup>3</sup>	
<b>Beam Angle (ba)</b> Degrees	120°		
<b>Light Output</b> Lumens (at 90 CRI)	3000K	183	per foot
	5000K	202	per foot
<b>CRI (cri)</b> Colour Rendering Index	90		
<b>IP Rating</b>	IP20		
<b>Dimension</b> Width, Height, Length	W	0.315"	8 mm
	H	0.157"	4 mm
	L	Specify maximum length in inches	
<b>Watts</b>	1.83 Watts per foot		
<b>Input Voltage</b>	AC 100V – 240V, 277V external transformer		
<b>Dimmable</b>	Yes With dimmable transformer MLV, ELV, Phase or 0-10V. Please specify at time of order. Sold separately.		
<b>Operating Temperature</b>	–25°C to +50°C		–13°F to 122°F
<b>Life</b> Lumen Maintenance	50,000 hours		
<b>Warranty</b>	5 Years		

## Part Number Configuration

<b>FLEX</b>	<b>SIDE_1.83W</b>	<b>24VDC</b>		<b>90</b>
-------------	-------------------	--------------	--	-----------

Category	Family	Operating Voltage	Finish (fin)	Light Colour (lc)	CRI (cri)
FLEX	SIDE_1.83W	24VDC	WHT White BLK Black <sup>1</sup>	2700K 3000K 3500K 4000K 5000K CST <sup>3</sup>	90

<sup>1</sup> SPECIAL ORDER. Please confirm availability. Allow for 4 – 6 weeks lead time. <sup>2</sup> See Connections page(s) for more details.<sup>3</sup> SPECIAL ORDER: Available in single colour R Red, G Green, B Blue, A Amber.