

LED Flex Light

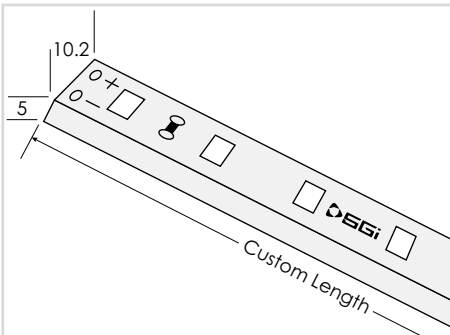
RegularBright 2.2 Watt



Medium Output - RegularBright 2.2 Watt



LED Flex Light • RegularBright 2.2 Watt



Dimensions in millimeters

Length	Custom Length ² cuttable every 6.5"(165.1 mm)		
Operating Voltage	24V DC		
Finish (fin)	Rugged – silicone injected, available in: WHT White PCB BLK Black PCB ¹		
Light Colour (lc) Correlated Colour Temperature (CCT)	2700K	Incandescent White	
	3000K	Warm White	
	3500K	Sand White	
	4000K	Neutral White	
	5000K	Cool White	
	CST	R Red, G Green, B Blue, A Amber ³	
Beam Angle (ba) Degrees	120°		
Light Output Lumens (at 90 CRI)	2700K	139.8	per foot
	3000K	145.4	per foot
	3500K	151.1	per foot
	4000K	163.4	per foot
	5000K	173.7	per foot
CRI (cri) Colour Rendering Index	90		
IP Rating	IP67		
Dimension Width, Height, Length	W	0.394"	10 mm
	H	0.157"	4 mm
	L	Specify maximum length in inches	
Watts	2.2 Watts per foot		
Input Voltage	AC 100V – 240V, 277V external transformer		
Dimmable	Yes With dimmable transformer MLV, ELV, Phase or 0-10V. Please specify at time of order. Sold separately.		
Operating Temperature	-25°C to +50°C		-13°F to 122°F
Life Lumen Maintenance	50,000 hours		
Warranty	5 Years		

Recommended Tracks

LP1813

REC1707

UCH1715

GENIE_PROFILE-DOME

See track page for more compatible tracks. See individual track cutsheets for more details.

Part Number Configuration

FLEX

REG_2.2W

24VDC

90

Category

Family (fam)

Operating Voltage

Finish (fin)

Light Colour (lc)

CRI (cri)

FLEX

REG_2.2W

24VDC

WHT White
BLK Black¹2700K
3000K
3500K
4000K
5000K
CST³

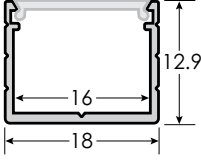
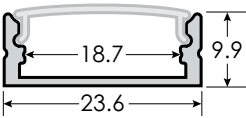
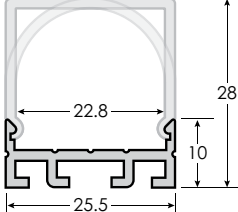
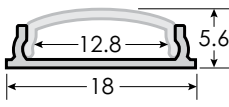
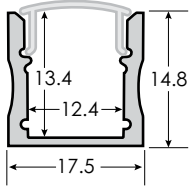
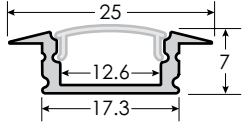
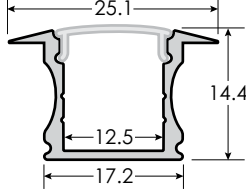
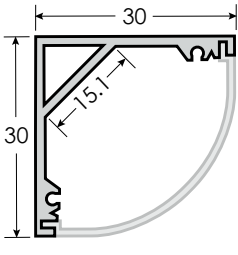
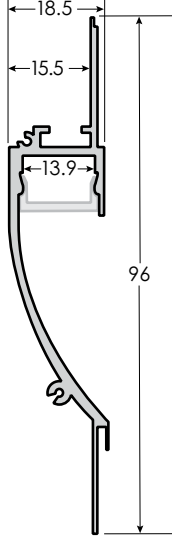
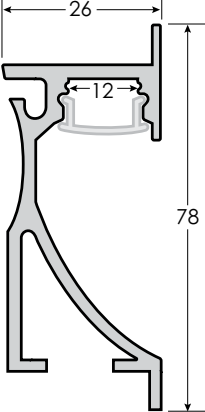
90

¹ SPECIAL ORDER. Please confirm availability. Allow for 4 – 6 weeks lead time. ² See Connections page(s) for more details.³ SPECIAL ORDER: Available in single colour R Red, G Green, B Blue, A Amber.



LED Flex Light • RegularBright 2.2 Watt • Track Options

Please visit our **products page** on our website to view all tracks, along with track specifications.

 <p>TRACK-LP1813-CST-fin-In</p>	 <p>TRACK-LP2410-CST-fin-In</p>	 <p>TRACK-LP2610-CST-fin-[OB/OD]</p>	 <p>TRACK-BEND1806-CST-fin-lc</p>	 <p>TRACK-UCH1715-CST-fin-In</p>
 <p>TRACK-REC1707-CST-fin-In</p>	 <p>TRACK-REC1715-CST-fin-In</p>	 <p>GENIE_PROFILE-DOME-CST-fin-In</p>	 <p>TRACK-REC1996-CST-fin-lc</p>	 <p>TRACK-REC2678-CST-fin-lc</p>





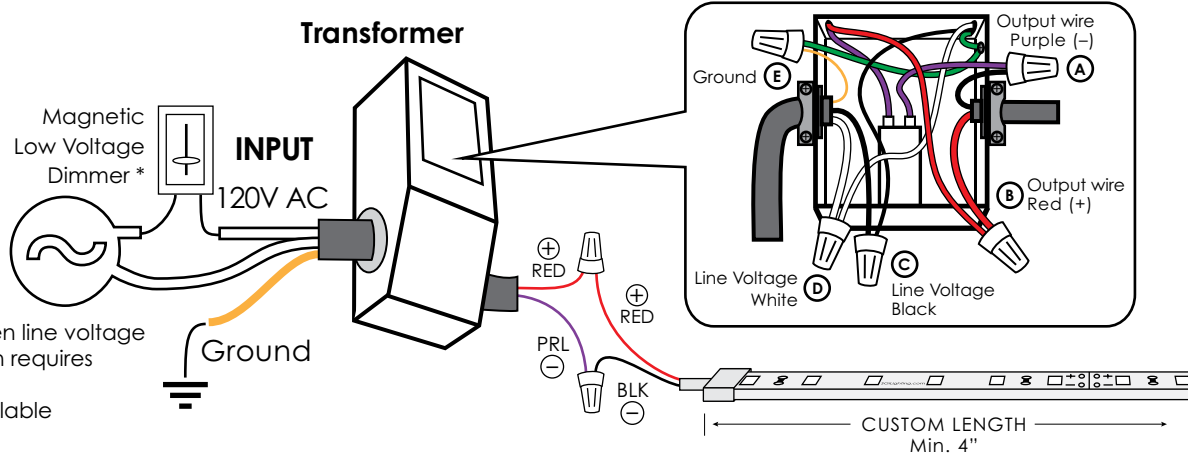
LED Flex Light • RegularBright 2.2 Watt • Wiring

LED FLEX – SINGLE COLOUR WIRING

You will need:

- Mareltes
- SGI LED Transformer(s)
- SGI LED Flex Light Strip(s)
- 18 AWG 2 conductor shielded cable

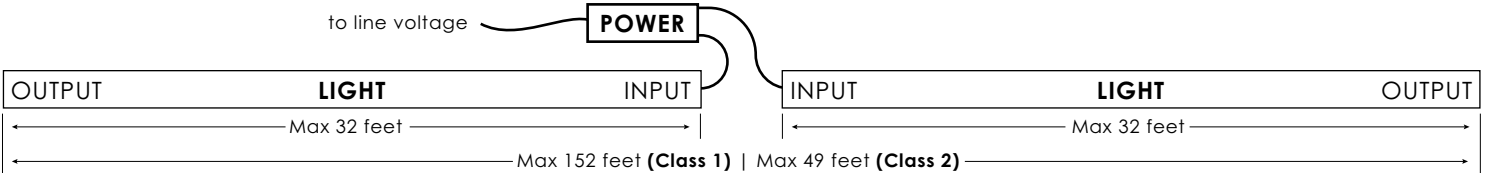
* Dimmer switch is wired between line voltage and power supply, if installation requires dimming options.
Non-dimmable drivers are available



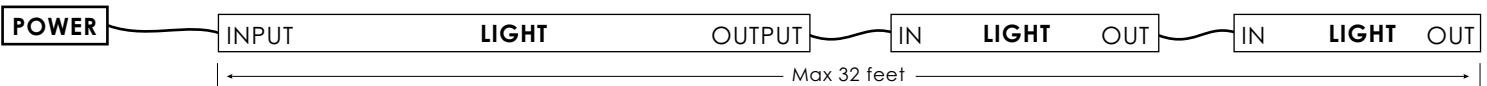
LED FLEX – WIRING CONFIGURATION EXAMPLES

The following illustrations are guides only. They are here to introduce general wiring configurations. See wattage chart below for more information on maximum run lengths.

HOMERUN multiple light strips back to the power supply. Maximum light length is 32 feet.



CUSTOMIZE with small jumpers to incorporate unique lengths into run. Homerun back to power supply after 32 ft.



FLEX-REG_2.2W-24VDC-fin-lc-90 – POWER-36-24VDC-watt DIMMABLE (12VDC Power options available)

Power Supply	20 Watt class 2	40 Watt class 2	60 Watt class 2	96 Watt class 2	150 Watt class 1	200 Watt class 1	300 Watt class 1
¹ Max ft of light	10 ft	20 ft	30 ft	49 ft*	76 ft*	101 ft*	152 ft*
Max cable distance between power & light	12AWG >300ft	12AWG 189ft	12AWG 126ft	12AWG 68ft	12AWG 46ft	12AWG 35ft	12AWG 23ft
	14AWG 238ft	14AWG 119ft	14AWG 79ft	14AWG 43ft	14AWG 29ft	14AWG 21ft	14AWG 14ft
	16AWG 149ft	16AWG 74ft	16AWG 49ft	16AWG 27ft	16AWG 18ft	16AWG 13ft	16AWG 9ft
	18AWG 94ft	18AWG 47ft	18AWG 31ft	18AWG 17ft	18AWG 11ft	18AWG 9ft	18AWG 6ft

* Every 32 linear feet of light must be home-run to transformer. **All installations in North America must follow Class 2 requirements.

¹At 80% capacity



LED Flex Light RegularBright 2.2 Watt

SGi's **RegularBright 2.2 Watt** is an effective choice for functional lighting applications. RegularBright 2.2 Watt's medium light output is perfect for relaxed yet functional lighting installations. Engineered to provide the highest possible quality available, RegularBright 2.2 Watt is a proven option for indoor and outdoor installations where quality is the most important factor. RegularBright 2.2 Watt is available in a comprehensive array of single colour whites from 2700K to 5000K and single colours. Pair with LED Track to achieve a directional or diffused lighting effect.

