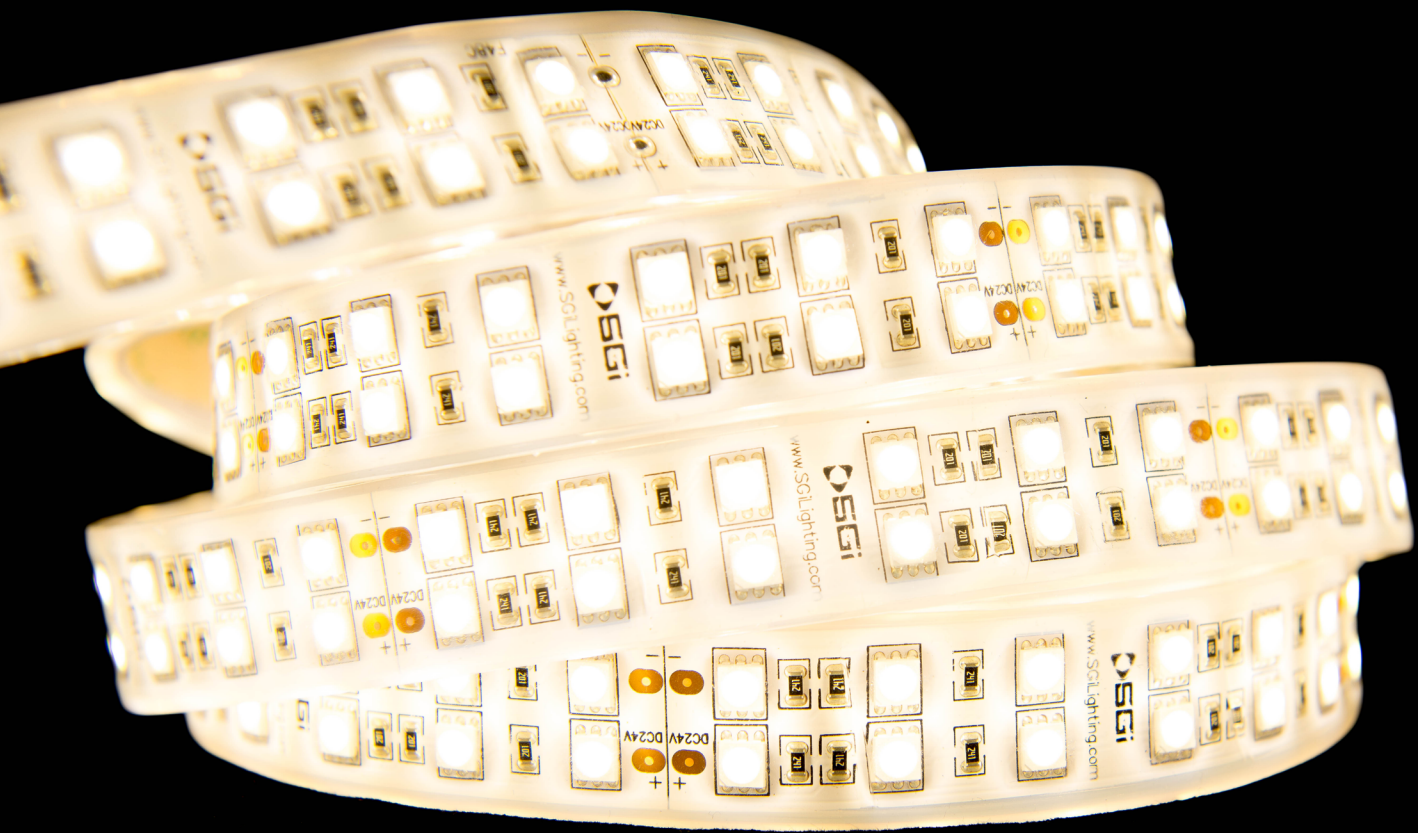


LED Flex Light

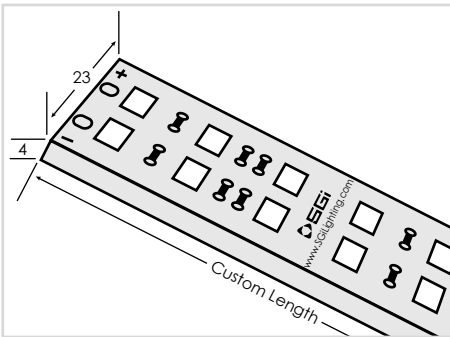
ExtremeBright 8.8 Watt



Extreme Output - ExtremeBright 8.8 Watt



LED Flex Light • ExtremeBright 8.8 Watt



Dimensions in millimeters

Length	Custom Length ² cuttable every 2" (50.8 mm)		
Operating Voltage	24V DC		
Finish (fin)	Rugged – silicone injected, available in: WHT White PCB BLK Black PCB ¹		
Light Colour (lc) Correlated Colour Temperature (CCT)	2700K 3000K 3500K 4000K 5000K CST	Incandescent White Warm White Sand White Neutral White Cool White R Red, G Green, B Blue, A Amber ³	
Beam Angle (ba) Degrees	120°		
Light Output Lumens (at 90 CRI)	2700K 3000K 3500K 4000K 5000K	679.6 708.4 737.2 793.8 854.9	per foot per foot per foot per foot per foot
CRI (cri) Colour Rendering Index	90		
IP Rating	IP67		
Dimension Width, Height, Length	W H L	0.905" 0.157" Specify maximum length in inches	23 mm 4 mm
Watts	8.8 Watts per foot		
Input Voltage	AC 100V – 240V, 277V external transformer		
Dimmable	Yes With dimmable transformer MLV, ELV, Phase or 0-10V. Please specify at time of order. Sold separately.		
Operating Temperature	-25°C to +50°C		-13°F to 122°F
Life Lumen Maintenance	50,000 hours		
Warranty	5 Years		

Recommended Tracks

LP2610

UCH2626

See track page for more compatible tracks. See individual track cutsheets for more details.

Part Number Configuration

FLEX	EXTREME_8.8W	24VDC		90
-------------	---------------------	--------------	--	-----------

Category	Family (fam)	Operating Voltage	Finish (fin)	Light Colour (lc)	CRI (cri)
FLEX	EXTREME_8.8W	24VDC	WHT White BLK Black ¹	2700K 3000K 3500K 4000K 5000K CST ³	90



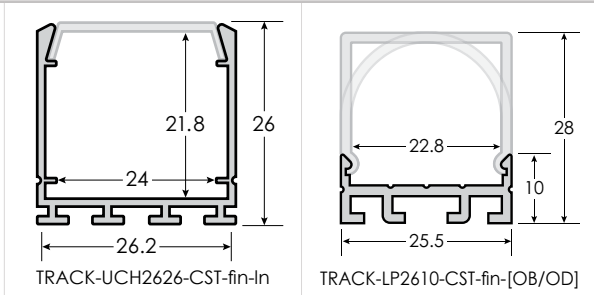
¹ SPECIAL ORDER. Please confirm availability. Allow for 4 – 6 weeks lead time. ² See Connections page(s) for more details.

³ SPECIAL ORDER: Available in single colour R Red, G Green, B Blue, A Amber.



LED Flex Light • ExtremeBright 8.8 Watt • Track Options

Please visit our **products page** on our website to view all tracks, along with track specifications.



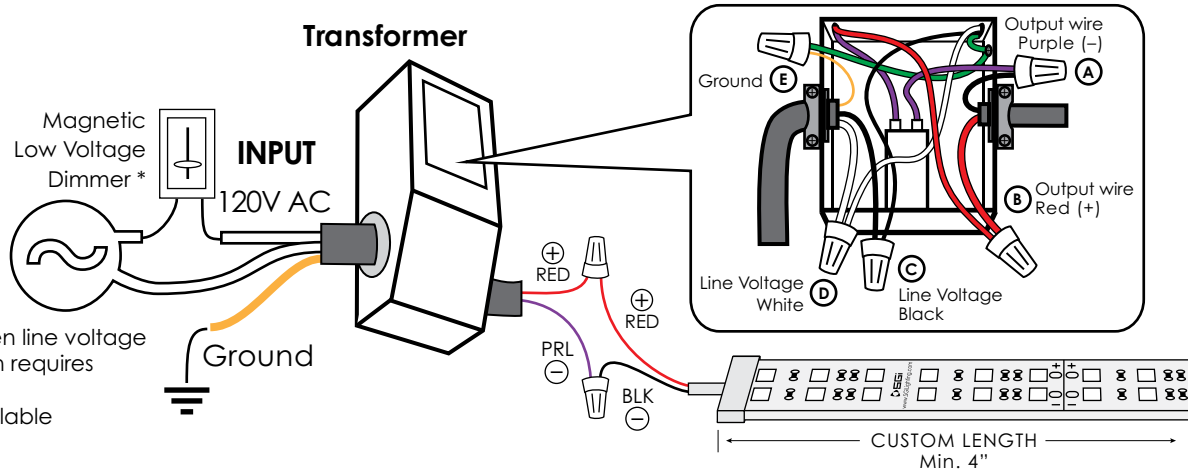
LED Flex Light • ExtremeBright 8.8 Watt • Wiring

LED FLEX – SINGLE COLOUR WIRING

You will need:

- Mareltes
- SGI LED Transformer(s)
- SGI LED Flex Light Strip(s)
- 18 AWG 2 conductor shielded cable

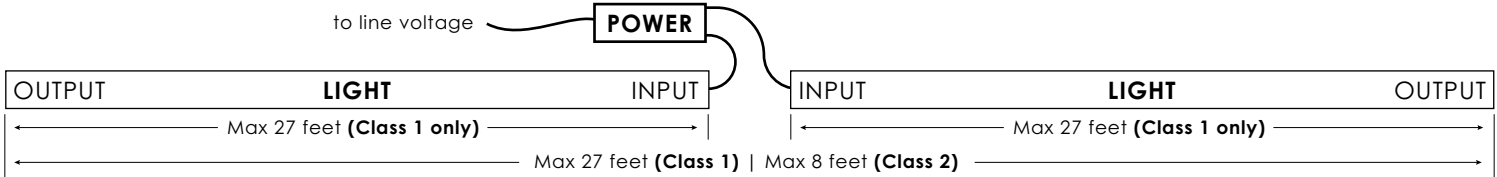
* Dimmer switch is wired between line voltage and power supply, if installation requires dimming options.
Non-dimmable drivers are available



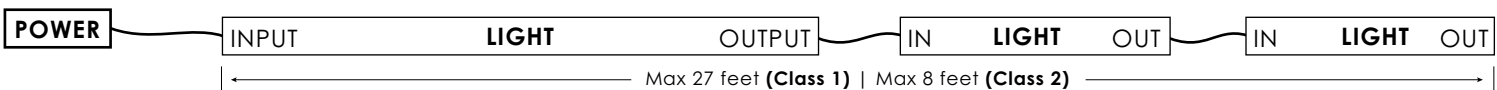
LED FLEX – WIRING CONFIGURATION EXAMPLES

The following illustrations are guides only. They are here to introduce general wiring configurations. See wattage chart below for more information on maximum run lengths.

HOMERUN multiple light strips back to the power supply. Maximum light length is 27 feet on Class 1 transformers.



CUSTOMIZE with small jumpers to incorporate unique lengths into run.



FLEX-EXTREME_8.8W-24VDC-fin-lc-90 – POWER-36-24VDC-watt DIMMABLE

Power Supply	20 Watt class 2	40 Watt class 2	60 Watt class 2	96 Watt class 2	150 Watt class 1	200 Watt class 1	300 Watt class 1
¹ Max ft of light	1 ft	3 ft	5 ft	8 ft	13 ft	18 ft	27 ft
Max cable distance between power & light	12AWG >300ft	12AWG 189ft	12AWG 126ft	12AWG 68ft	12AWG 46ft	12AWG 35ft	12AWG 23ft
	14AWG 238ft	14AWG 119ft	14AWG 79ft	14AWG 43ft	14AWG 29ft	14AWG 21ft	14AWG 14ft
	16AWG 149ft	16AWG 74ft	16AWG 49ft	16AWG 27ft	16AWG 18ft	16AWG 13ft	16AWG 9ft
	18AWG 94ft	18AWG 47ft	18AWG 31ft	18AWG 17ft	18AWG 11ft	18AWG 9ft	18AWG 6ft

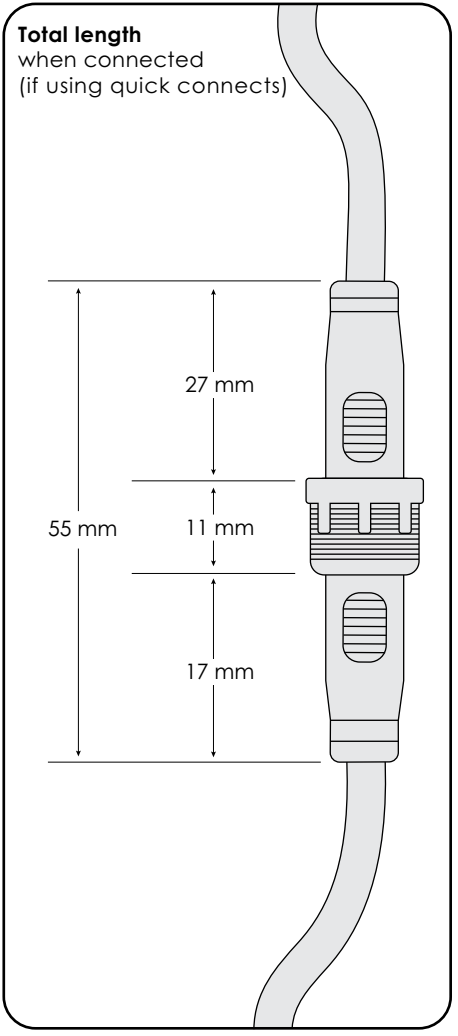
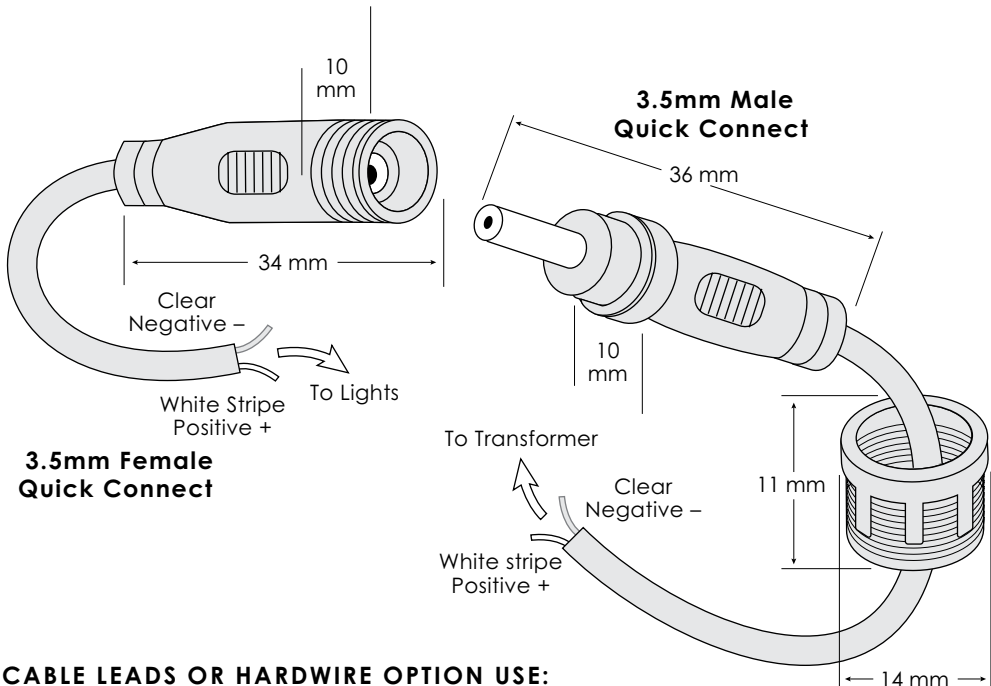
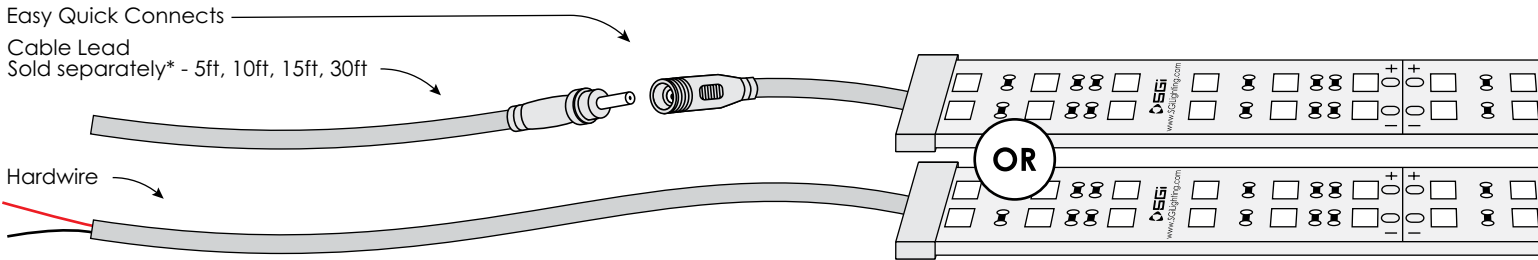
**All installations in North America must follow Class 2 requirements. ¹At 80% capacity



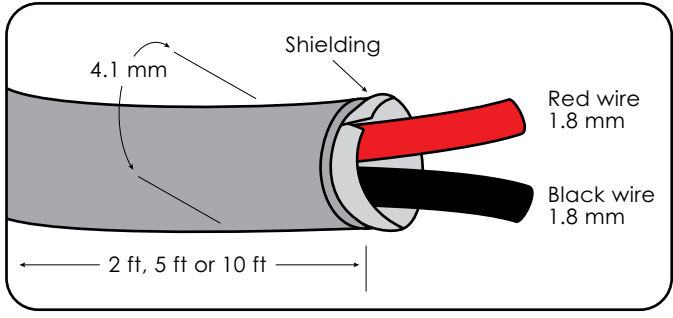


LED Flex Light • ExtremeBright 8.8 Watt • Cable Options

Cable Options for Single Colour – **Choose between Quick Connect or Hardwire option**
Choose between 5 Ft, 10 Ft, 15 Ft or 30 Ft cable leads



CABLE LEADS OR HARDWIRE OPTION USE:
18AWG 2 Conductor Shielded Cable | CABLE-18AWG-GRY-2S



- * CABLE-POWER-5FT-3.5M03-18AWG-GRY-2SP
- * CABLE-POWER-10FT-3.5M03-18AWG-GRY-2SP
- * CABLE-POWER-15FT-3.5M03-18AWG-GRY-2SP
- * CABLE-POWER-30FT-3.5M03-18AWG-GRY-2SP



LED Flex Light • ExtremeBright 8.8 Watt

SGi's ExtremeBright 8.8 Watt is perfect for lighting applications that need extremely bright and radiant light, but still need the benefit of a compact and low profile design. ExtremeBright 8.8 Watt is perfect for task lighting, as the intense illumination improves the efficiency of high-function of work areas. Achieve spectacular lighting in almost any indoor or outdoor installation thanks to an IP67 rating. Pair with LED Track to achieve a directional or diffused lighting effect.

