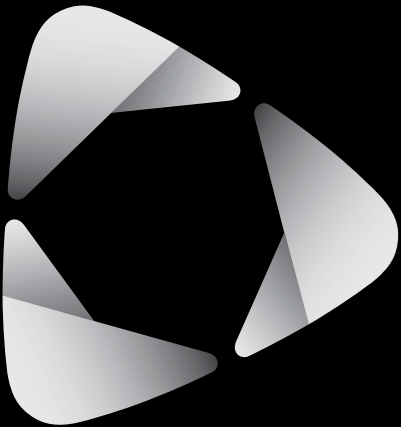
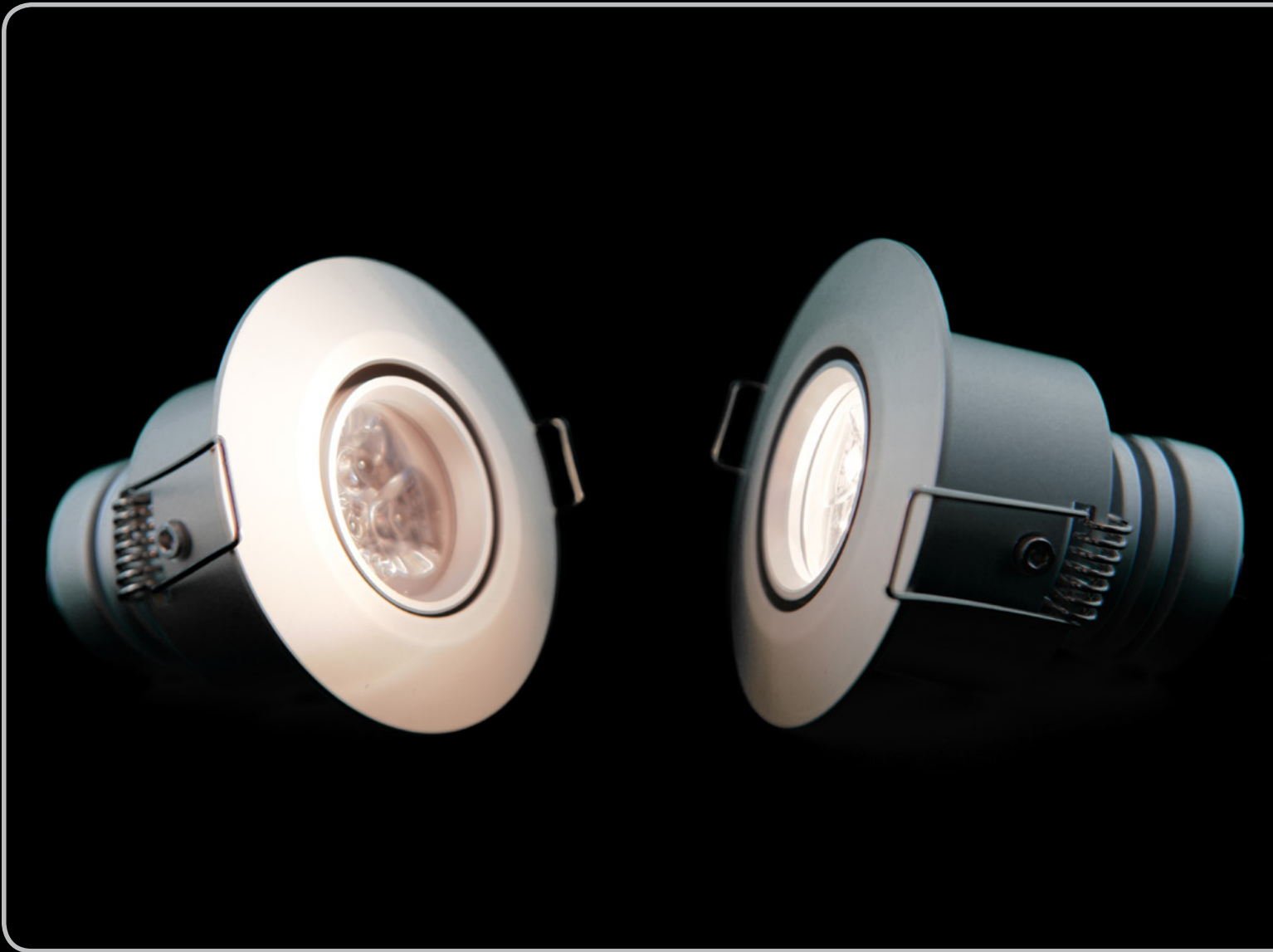


LED Spot Light • 3 Watt Soffit



SSGi

the LED lighting source™

COMMERCIAL • LANDSCAPE • ARCHITECTURAL • RESIDENTIAL



the LED lighting source™

COMMERCIAL • LANDSCAPE • ARCHITECTURAL • RESIDENTIAL

15 Brownridge Rd. Unit 6, Halton Hills, ON L7G 0C6 • 905-487-8192 • 1-877-LED-2DAY • SGIlighting.com

Project: _____

Client: _____

Part #: SPOT-P-3W-SFT-12VDC-fin-ba-ic

Date: / / Qty: _____

SPECIFICATION

LED Spot Light • 3 Watt Soffit



Operating Voltage (ov)	12V DC	Constant Voltage	
Finish (fin)	WHT	White	
	SIL	Silver	
Beam Angle (ba) Degrees	45°	15°*	60°*
Light Colour (lc) Correlated Colour Temperature (CCT)	2700K	Incandescent White*	
	3000K	Warm White	
	4000K	Neutral White*	
	5000K	Cool White*	
	Specify Kelvin (K) for other CCTs*		
	R Red* G Green* B Blue* A Amber*		
Light Output Lumens	3000K	332	
	4000K	363	
	5000K	399	
IP Rating	IP65		
Dimension Diameter, Height, Hole Size	D	3"	76 mm
	H	2.7"	69 mm
	HS	2.36"	60 mm
Housing	Aluminum Alloy		
Watts	3W		
Light Source	3 x 1W LED		
Input Voltage	AC 100V – 240V, 277V external transformer		
Dimmable	Yes With dimmable transformer		
Operating Temperature	-25°C to +50°C		-13°F to 122°F
Life Lumen Maintenance	50,000 hours		

Part Number Configuration – SPOT-P-3W-SFT-ov-fin-ba-ic

Category	Grade	Family	Operating Voltage (ov)	Finish (fin)	Beam Angle (ba)	Light Colour (lc)
SPOT	P-Professional	3W SFT	12VDC	SIL Silver WHT White	15°* 45° 60°*	2700K IW* 3000K WW* 4000K NW* 5000K CW* R* G* B* A*

* Available on special order



the LED lighting source™
 COMMERCIAL • LANDSCAPE • ARCHITECTURAL • RESIDENTIAL

15 Brownridge Rd. Unit 6, Halton Hills, ON L7G 0C6 • 905-487-8192 • 1-877-LED-2DAY • SGIlighting.com

Project: _____

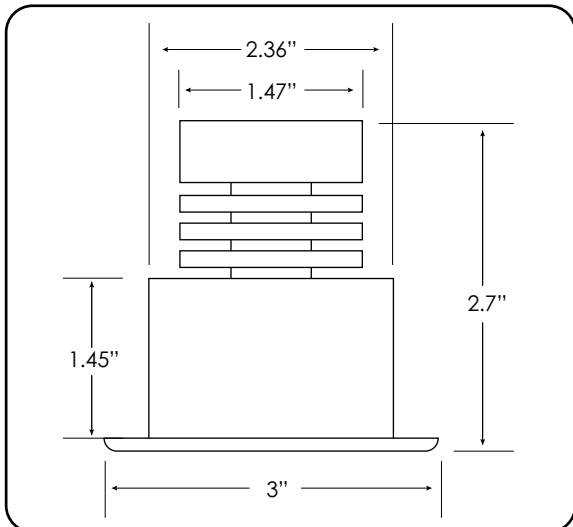
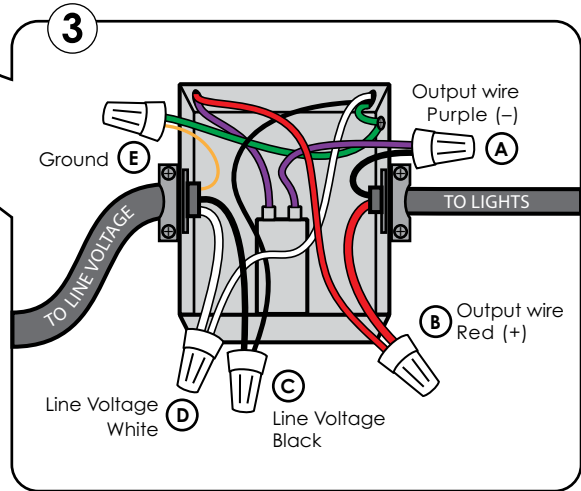
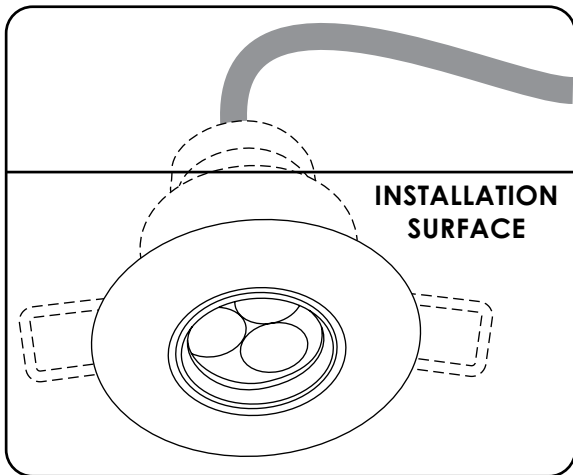
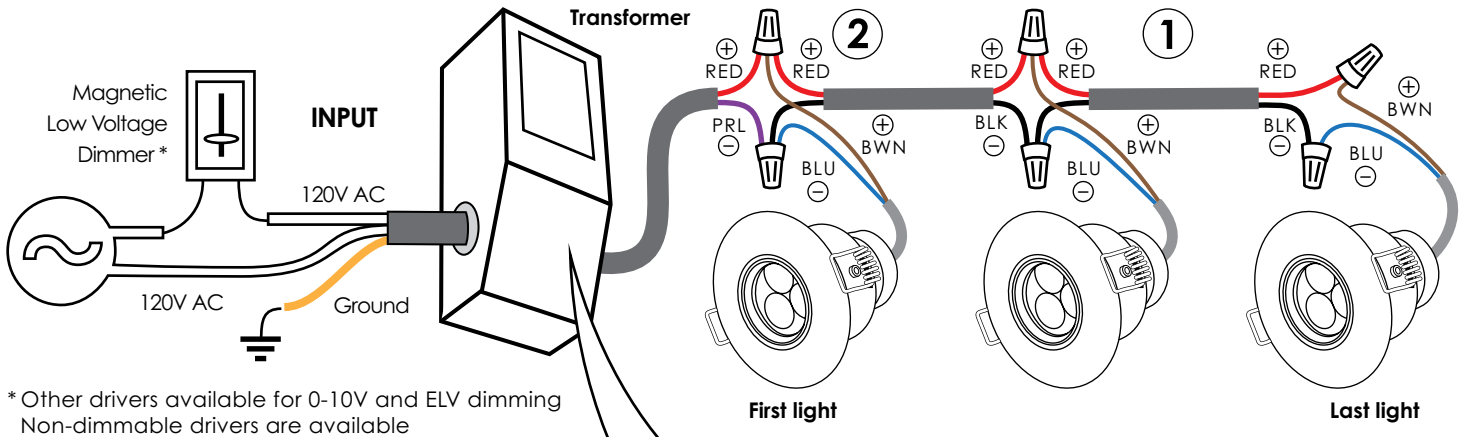
Client: _____

Part #: SPOT-P-3W-SFT-12VDC- fin - ba - lc

Date: / / Qty: _____

INSTALLATION

LED Spot Light • 3 Watt Soffit



1. Connect a main line of 14 or 16 AWG 2 conductor shielded cable from transformer to furthest light.
2. Connect each light to main cable run coming from the transformer in parallel connection as shown above.
 Brown wire from Light (+) to Red wire from Transformer (+)
 Blue wire from Light (-) to Purple wire from Transformer (-)
3. Connect power to transformer as shown.

Dimensions in inches.

LED Spot Light • 3 Watt Soffit



Applications:
Powerful and discreet outdoor downlighting for soffits and uplighting for decks and patios.

Specially designed LED Soffit Lights provide perimeter lighting, safety lighting and security lighting that accents a property while adding curb appeal. SGI's beautiful three watt Swivel Soffit Lights come in a variety of designer finishes and beam angles to match unique lighting applications. Choose between recessed or surface mounted options to match any structure design and achieve perfect façade lighting with swivel features that allow customized beam positioning. Highly efficient, long lasting light fixtures have fifty thousand hour lifespans. Eliminate frequent bulb changes and safety risks caused by tall ladders.



Visit our LED Lighting Inspiration Centre

15 Brownridge Rd. Unit 6
Halton Hills, ON L7G 0C6

1.877.LED2DAY (533.2329)
905.487.8192

SGiLighting.com