



the LED lighting source™
COMMERCIAL • LANDSCAPE • ARCHITECTURAL • RESIDENTIAL

Project: _____

Client: _____

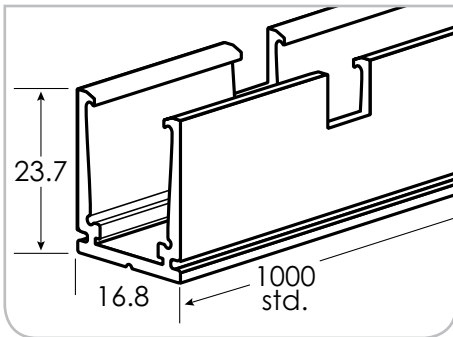
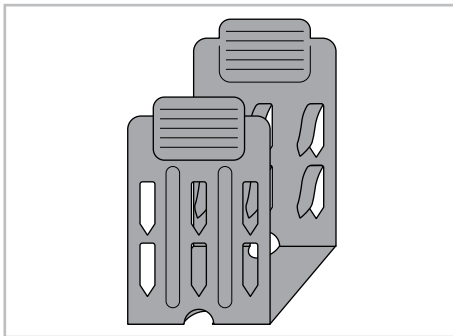
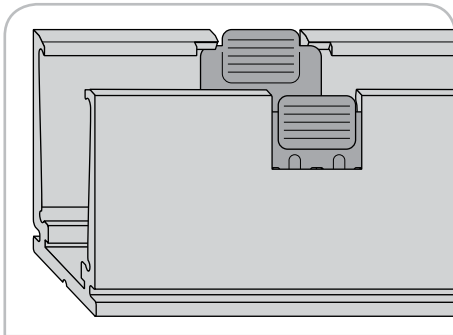
Part #: TRACK – NEON – 1724SL – CST – SIL – N

Date: _____ dd / mm / yyyy Qty: _____

15 Brownridge Rd. Unit 6, Halton Hills, ON L7G 0C6 • 905-487-8192 • 1-877-LED-2DAY • SGiLighting.com

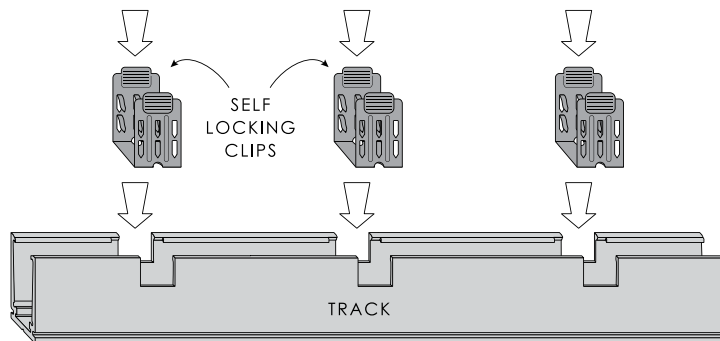
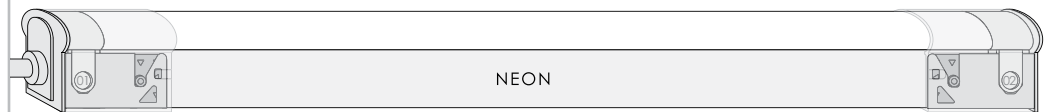
SPECIFICATION

LED Track • Neon 1724 Self-Locking



Dimensions in millimeters

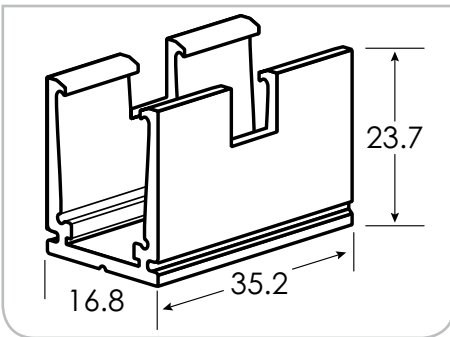
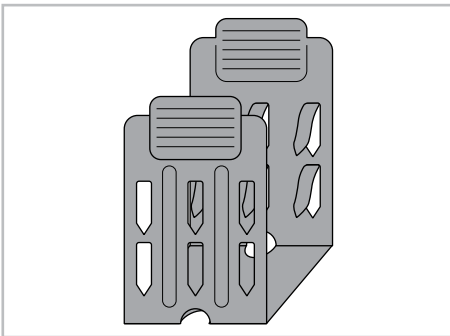
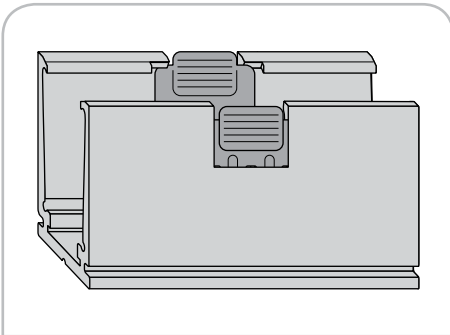
Finish (fin)	SIL Silver
Lens (ln)	N None
Custom Length	Custom Track lengths available Please specify length in inches Standard length 1 m (39"), maximum 2.5 m (98")
Housing	Aluminum Alloy
Compatible Lights	Flat LED Neon Light NEON-P-FLT-ov-fin-lc-con-cab Round LED Neon Light NEON-P-RND-ov-fin-lc-con-cab



Part Number Configuration – TRACK-NEON-1724SL-CST-fin-ln

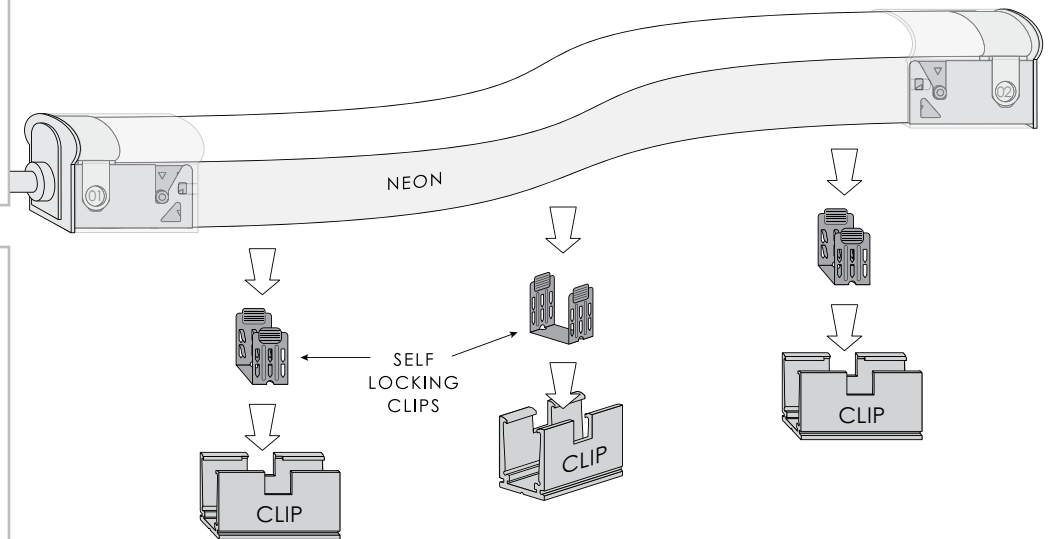
Category	Family	Length	Finish (fin)	Lens (ln)
TRACK	NEON 1724 SL	CST Custom Length	SIL Silver	N None

LED Clip • Neon 1724 Self-Locking



Dimensions in millimeters

Finish (fin)	SIL Silver
Lens (ln)	N None
Length	1.37" 35 mm (Tolerance +/- 0.3mm)
Housing	Aluminum Alloy
Compatible Lights	Flat LED Neon Light NEON-P-FLT-ov-fin-lc-con-cab Round LED Neon Light NEON-P-RND-ov-fin-lc-con-cab



Part Number Configuration – CLIP-NEON-1724SL-35MM-fin-ln

Category	Family	Length	Finish (fin)	Lens (ln)
CLIP	NEON 1724 SL	1.37 IN 35mm	SIL Silver	N None



the LED lighting source™
COMMERCIAL • LANDSCAPE • ARCHITECTURAL • RESIDENTIAL

Project: _____

Client: _____

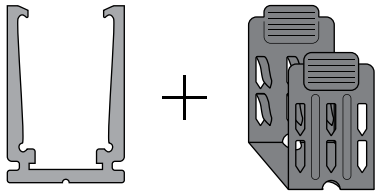
Part #: TRACK – NEON – 1724SL – CST – fin – N

Date: _____ dd / mm / yyyy Qty: _____

15 Brownridge Rd. Unit 6, Halton Hills, ON L7G 0C6 • 905-487-8192 • 1-877-LED-2DAY • SGiLighting.com

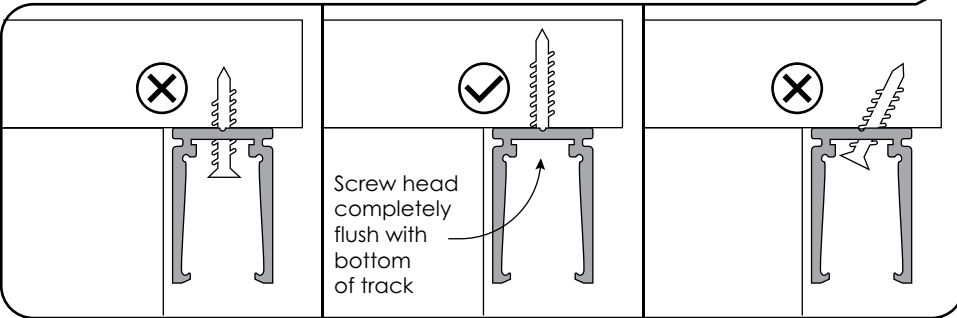
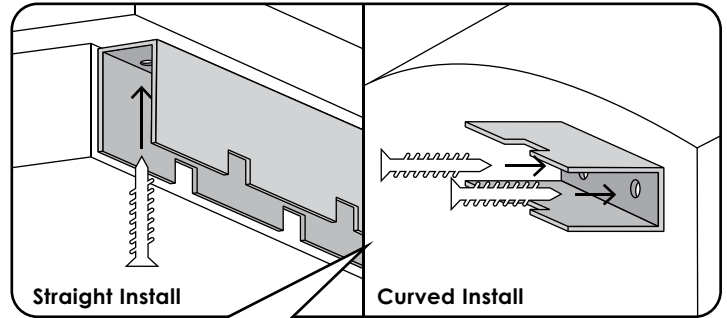
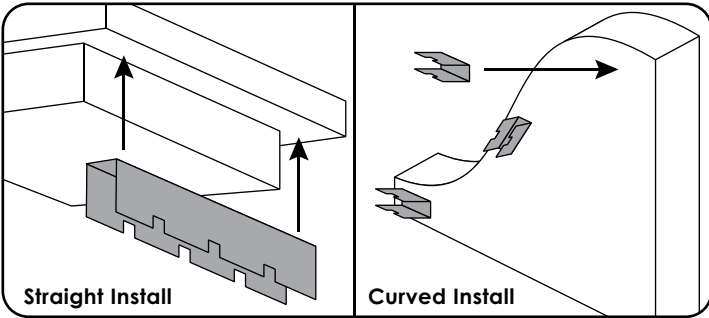
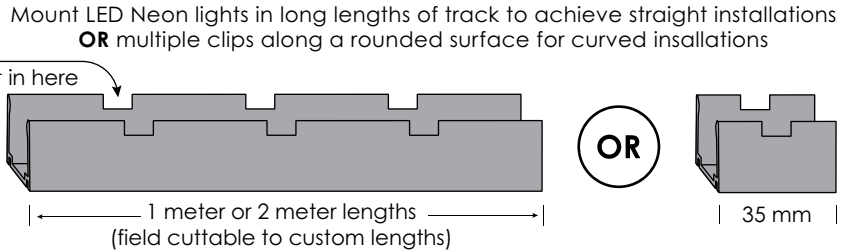
INSTALLATION

LED Track/Clip • Neon 1724 Self-Locking • Mounting Guide

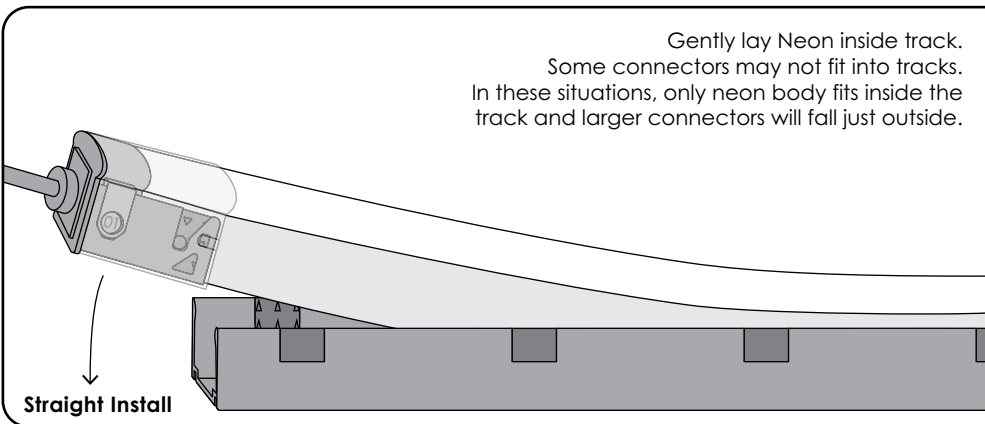
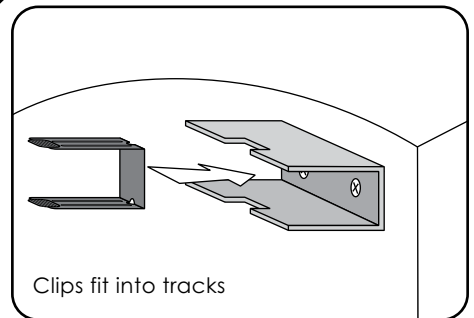


Track with Self-Locking Clip

Self-Locking clips will fit in here

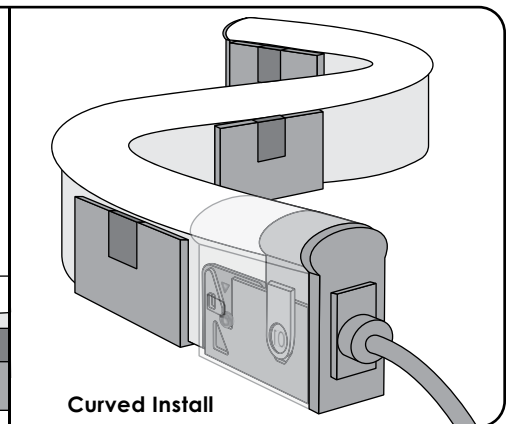


Screw head completely flush with bottom of track



Straight Install

Gently lay Neon inside track. Some connectors may not fit into tracks. In these situations, only neon body fits inside the track and larger connectors will fall just outside.



Curved Install