



the LED lighting source™  
COMMERCIAL • LANDSCAPE • ARCHITECTURAL • RESIDENTIAL

Project: \_\_\_\_\_

Client: \_\_\_\_\_

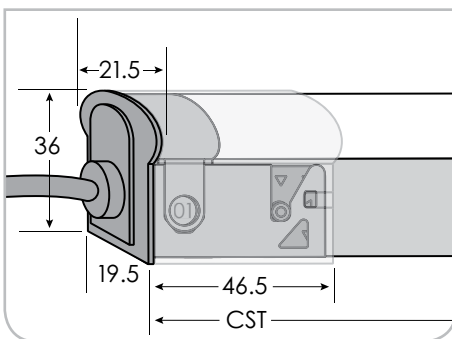
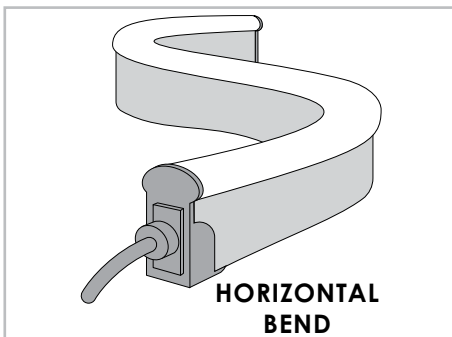
Part #: NEON -P- RND - HB - 24VDC - WHT - lc - con - cab

Date: \_\_\_\_\_ dd / mm / yyyy Qty: \_\_\_\_\_

15 Brownridge Rd. Unit 6, Halton Hills, ON L7G 0C6 • 905-487-8192 • 1-877-LED-2DAY • SGiLighting.com

SPECIFICATION

# LED Neon Light • Round



Standard Snap Connector shown.  
Dimensions in millimeters  
See connections page for alternative connector types and dimensions

**Part Number Configuration** – NEON-P-RND-bnd-ov-fin-lc-con-cab

<b>Length</b>	CST – Custom Length <sup>3</sup> cuttable every 3.25"			
<b>Operating Voltage (ov)</b>	24V DC			
<b>Finish (fin)</b>	WHT	White		
<b>Light Colour (lc)</b> Correlated Colour Temperature (CCT)	2700K	Incandescent White		
	3000K	Warm White		
	3500K	Sand White		
	4000K	Neutral White		
	5000K	Cool White		
	R Red <sup>1</sup>	G Green <sup>1</sup>	B Blue <sup>1</sup>	O Orange <sup>1</sup>
	P Pink <sup>1</sup>	Y Yellow <sup>1</sup>	V Violet <sup>1</sup>	
	See RGB spec sheets for Colour Changing options			
<b>Bend (bnd)</b>	HB	Horizontal Bend		
<b>Connection (con)<sup>3</sup></b>	A	Snap <sup>2</sup>	S	Side <sup>1</sup>
	B	Bottom <sup>1</sup>	E	End <sup>1</sup>
	W	Screw <sup>1,2</sup>		
<b>Cable Length (cab)<sup>3</sup></b>	02	2 feet	05	5 feet
	10	10 feet	30	30 feet
	CST <sup>1</sup>	Custom length and connector		
<b>Beam Angle (ba) Degrees</b>	270°			
<b>Light Output</b> Lumens	2700K	319	per foot	
	3000K	336	per foot	
	3500K	349	per foot	
	4000K	362	per foot	
	5000K	388	per foot	
<b>IP Rating</b>	IP68			
<b>Dimensions</b> with snap connector Width, Height, Length	W	0.84"	21.5 mm	
	H	1.41"	36 mm	
	L	Specify maximum length in inches <sup>3</sup>		
<b>Watts</b>	4.57W per foot			
<b>Input Voltage</b>	AC 100V – 240V, 277V external transformer			
<b>Dimmable</b>	Yes	With dimmable transformer MLV, ELV or 0-10V		
<b>Operating Temperature</b>	-25°C to +50°C		-13°F to 122°F	
<b>Life Lumen Maintenance</b>	50,000 hours			

Category	Family	Bend (bnd)	Operating Voltage (ov)	Finish (fin)	Light Colour (lc)	Connection (con)	Cable Length (cab)
NEON-P Professional	RND	HB Horizontal Bend	24VDC	WHT White	<b>2700K</b> IW <b>3000K</b> WW <b>3500K</b> SW <b>4000K</b> NW <b>5000K</b> CW <b>R<sup>1</sup> G<sup>1</sup> B<sup>1</sup> A<sup>1</sup></b> <b>P<sup>1</sup> Y<sup>1</sup> V<sup>1</sup></b>	<b>A</b> Snap <sup>2</sup> <b>S</b> Side <sup>1</sup> <b>B</b> Bottom <sup>1</sup> <b>E</b> End <sup>1</sup> <b>W</b> Screw <sup>1,2</sup>	<b>02</b> <b>05</b> <b>10</b> <b>30</b> <b>CST<sup>1</sup></b>

<sup>1</sup> SPECIAL ORDER. Please confirm availability. Allow for 6 – 8 weeks lead time

<sup>2</sup> Can be Field Installed

<sup>3</sup> See Connections page(s) for more details