



the LED lighting source™  
COMMERCIAL • LANDSCAPE • ARCHITECTURAL • RESIDENTIAL

15 Brownridge Rd. Unit 6, Halton Hills, ON L7G 0C6 • 905-487-8192 • 1-877-LED-2DAY • SGIlighting.com

Project: \_\_\_\_\_

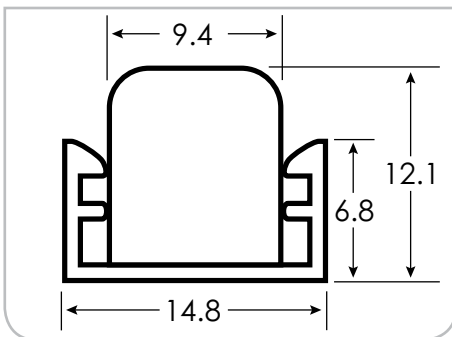
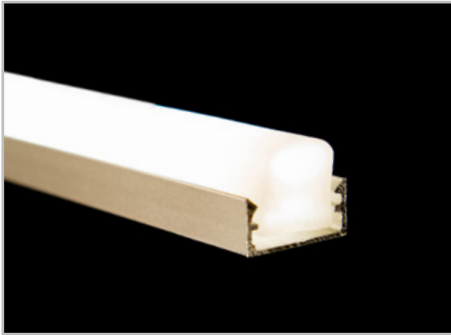
Client: \_\_\_\_\_

Part #: NEON -P- MULTRA -24VDC -WHT- lc - E - cab

Date:      /      /      Qty: \_\_\_\_\_

SPECIFICATION

## LED Neon Light • Mini UltraBright



Shown with LP1407 Track

<b>Length</b>	CST – Custom Length cuttable every 2"		
<b>Operating Voltage (ov)</b>	24V DC		
<b>Finish (fin)</b>	WHT	White	
<b>Light Colour (lc)</b> Correlated Colour Temperature (CCT)	2700K	Incandescent White	
	3000K	Warm White	
	3500K	Sand White	
	4000K	Neutral White	
	5500K	Cool White	
	R Red*	G Green*	B Blue*    O Orange*
	P Pink*	Y Yellow*	V Violet*
<b>Connection (con) †</b>	E	End	
<b>Cable Length (cab) †</b>	02	2 feet	05    5 feet
	10	10 feet	30    30 feet
	CST*	Custom length and connector	
<b>Beam Angle (ba) Degrees</b>	270°		
<b>Light Output</b> Lumens	3000K	329	per foot
	4000K	362	per foot
	5500K	395	per foot
<b>IP Rating</b>	IP55		
<b>Dimension</b> Width, Height, Length	W	0.37"	9.4 mm
	H	0.47"	12 mm
	L	Specify maximum length in inches	
<b>Watts</b>	4.4W per foot		
<b>Input Voltage</b>	AC 100V – 240V, 277V    external transformer		
<b>Dimmable</b>	Yes – with dimmable transformer		
<b>Operating Temperature</b>	–25°C to +50°C		–13°F to 122°F
<b>Life</b> Lumen Maintenance	50,000 hours		

### Part Number Configuration – NEON-P-MULTRA-ov-fin-lc-con-cab

Category	Grade	Family	Operating Voltage (ov)	Finish (fin)	Light Colour (lc)	Connection (con)	Cable Length (cab)
NEON	P-Professional	MULTRA	24VDC	WHT White	2700K IW 3000K WW 3500K SW 4000K NW 5000K CW R* G* B* A* P* Y* V*	E End	02 05 10 30 CST*