



the LED lighting source™
COMMERCIAL • LANDSCAPE • ARCHITECTURAL • RESIDENTIAL

15 Brownridge Rd. Unit 6, Halton Hills, ON L7G 0C6 • 905-487-8192 • 1-877-LED-2DAY • SGIlighting.com

Project: _____

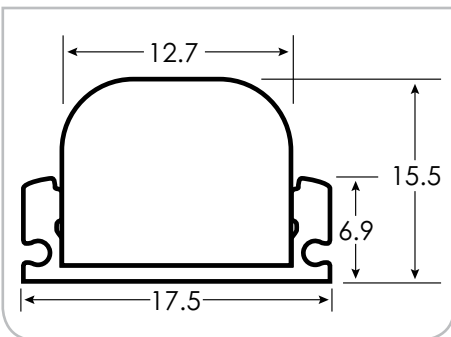
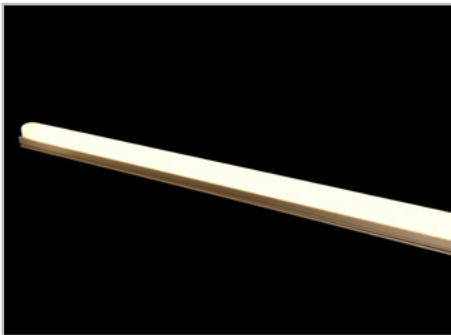
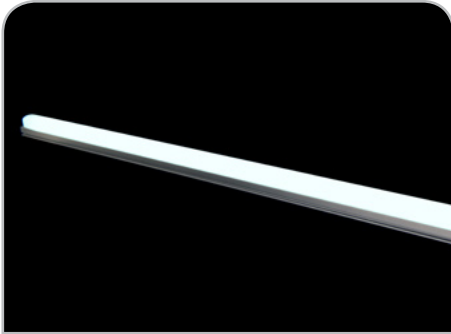
Client: _____

Part #: NEON -P- MEXTREME -24VDC -WHT -lc -E- cab

Date: / / Qty: _____

SPECIFICATION

LED Neon Light • Mini ExtremeBright



Length	CST – Custom Length cuttable every 2"		
Operating Voltage (ov)	24V DC		
Finish (fin)	WHT	White	
Light Colour (lc) Correlated Colour Temperature (CCT)	2700K	Incandescent White	
	3000K	Warm White	
	3500K	Sand White	
	4000K	Neutral White	
	5500K	Cool White	
	R Red*	G Green*	B Blue* O Orange*
	P Pink*	Y Yellow*	V Violet*
Connection (con) †	E	End	
Cable Length (cab) †	02	2 feet	05 5 feet
	10	10 feet	30 30 feet
	CST*	Custom length and connector	
Beam Angle (ba) Degrees	270°		
Light Output Lumens	3000K	737.3	per foot
	4000K	793.8	per foot
	5500K	854.9	per foot
IP Rating	IP55		
Dimension Width, Height, Length	W	0.51"	13 mm
	H	0.59"	15 mm
	L	Specify maximum length in inches	
Watts	8.8W per foot		
Input Voltage	AC 100V – 240V, 277V external transformer		
Dimmable	Yes – with dimmable transformer		
Operating Temperature	-25°C to +50°C		-13°F to 122°F
Life Lumen Maintenance	50,000 hours		

Part Number Configuration – NEON-P-MEXTREME-ov-fin-lc-con-cab

Category	Grade	Family	Operating Voltage (ov)	Finish (fin)	Light Colour (lc)	Connection (con)	Cable Length (cab)
NEON	P-Professional	MEXTREME	24VDC	WHT White	2700K IW 3000K WW 3500K SW 4000K NW 5000K CW R* G* B* A* P* Y* V*	E End	02 05 10 30 CST*

* Available on special order