



the LED lighting source™
COMMERCIAL • LANDSCAPE • ARCHITECTURAL • RESIDENTIAL

Project: _____

Client: _____

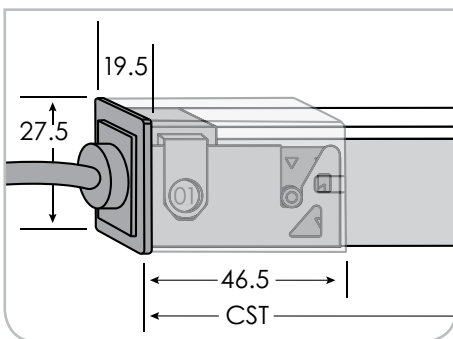
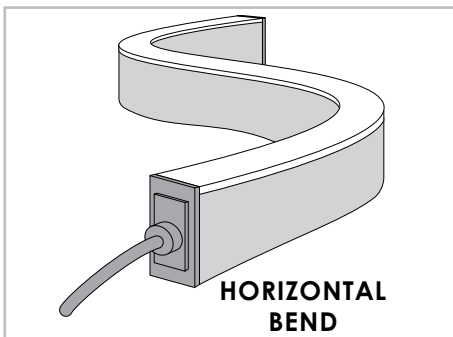
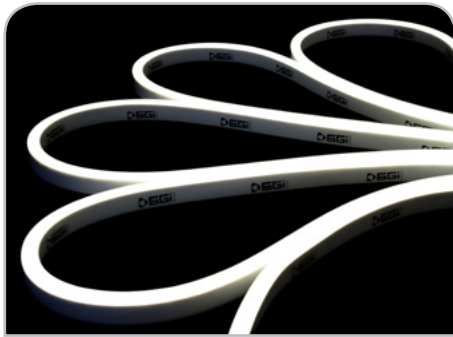
Part #: NEON -P- FLT -HB -24VDC -WHT -lc - con - cab

Date: _____ dd / mm / yyyy Qty: _____

15 Brownridge Rd. Unit 6, Halton Hills, ON L7G 0C6 • 905-487-8192 • 1-877-LED-2DAY • SGiLighting.com

SPECIFICATION

LED Neon Light • Flat



Standard Snap Connector shown.
Dimensions in millimeters
See connections page for alternative connector types and dimensions

Length	CST – Custom Length ³ cuttable every 3.25"			
Operating Voltage (ov)	24V DC			
Finish (fin)	WHT	White		
Light Colour (lc) Correlated Colour Temperature (CCT)†	2700K	Incandescent White		
	3000K	Warm White		
	3500K	Sand White		
	4000K	Neutral White		
	5000K	Cool White		
	R Red ¹	G Green ¹	B Blue ¹	O Orange ¹
	P Pink ¹	Y Yellow ¹	V Violet ¹	
	See RGB spec sheets for Colour Changing options			
Bend (bnd)	HB	Horizontal Bend		
Connection (con)³	A	Snap ²	S	Side ¹
	B	Bottom ¹	E	End ¹
Cable Length (cab)³	02	2 feet	05	5 feet
	10	10 feet	30	30 feet
	CST ¹	Custom length and connector		
Beam Angle (ba) Degrees	160°			
Light Output Lumens	2700K	319	per foot	
	3000K	336	per foot	
	3500K	349	per foot	
	4000K	362	per foot	
	5000K	388	per foot	
IP Rating	IP68			
Dimensions with snap connector Width, Height, Length	W	0.76"	19.5 mm	
	H	1.08"	27.5 mm	
	L	Specify maximum length in inches ³		
Watts	4.57W per foot			
Input Voltage	AC 100V – 240V, 277V external transformer			
Dimmable	Yes	With dimmable transformer MLV, ELV or 0-10V		
Operating Temperature	-25°C to +50°C		-13°F to 122°F	
Life Lumen Maintenance	50,000 hours			

Part Number Configuration – NEON-P-FLT-bnd-ov-fin-lc-con-cab

Category	Family	Bend (bnd)	Operating Voltage (ov)	Finish (fin)	Light Colour (lc)	Connection (con)	Cable Length (cab)
NEON-P Professional	FLT	HB Horizontal Bend	24VDC	WHT White	2700K IW 3000K WW 3500K SW 4000K NW 5000K CW R¹ G¹ B¹ A¹ P¹ Y¹ V¹	A Snap ² S Side ¹ B Bottom ¹ E End ¹	02 05 10 30 CST¹

¹ SPECIAL ORDER. Please confirm availability. Allow for 6 – 8 weeks lead time

² Can be Field Installed

³ See Connections page(s) for more details