



the LED lighting source™

COMMERCIAL • LANDSCAPE • ARCHITECTURAL • RESIDENTIAL

15 Brownridge Rd. Unit 6, Halton Hills, ON L7G 0C6 • 905-487-8192 • 1-877-LED-2DAY • SGiLighting.com

Project: \_\_\_\_\_

Client: \_\_\_\_\_

Part #: FLEX - P - ULTRA - ov - fin - RGB

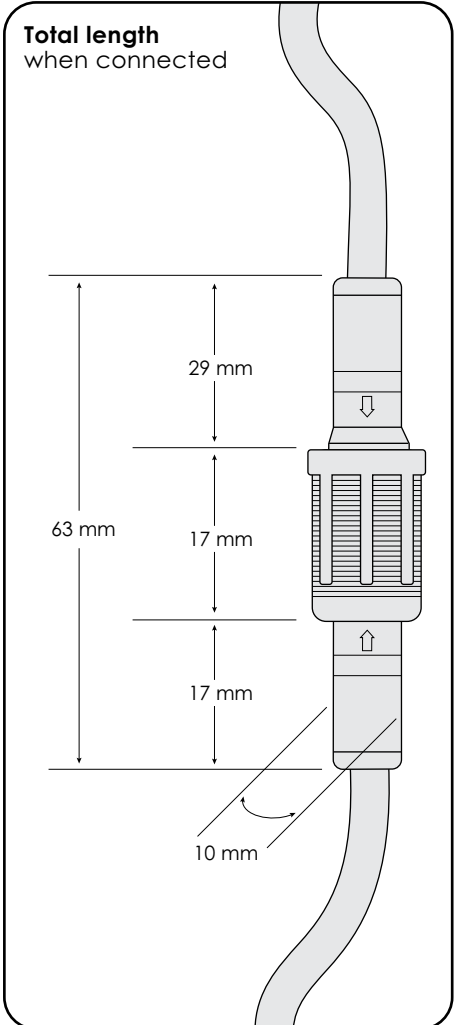
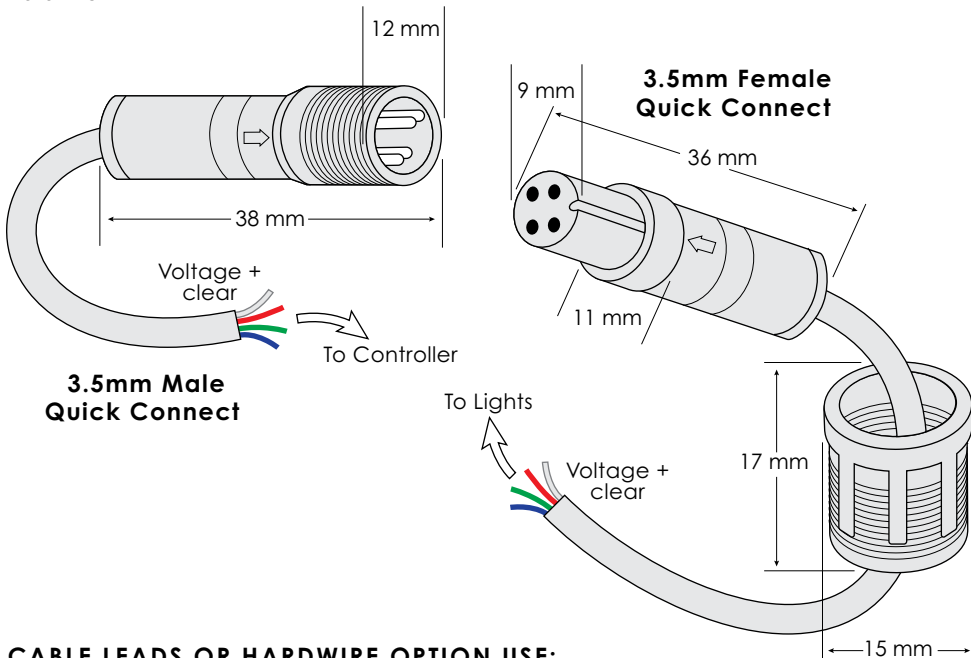
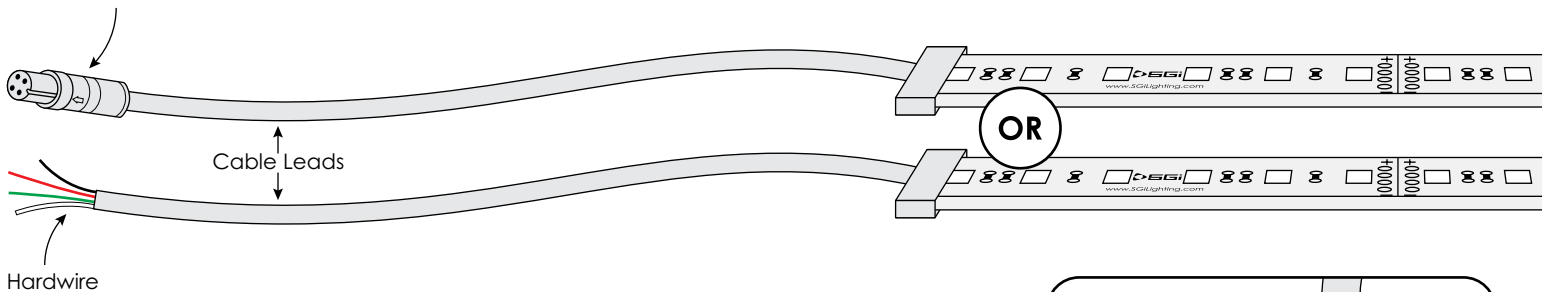
Date:      /      /      Qty:     

CONNECTIONS

## LED Flex Light • UltraBright RGB • Cable Options

Cable Options for Colour Changing – **Choose between Quick Connect or Hardwire option**  
**Choose between 2 Ft, 5 Ft or 10 Ft cable leads**

Easy Quick Connects



**CABLE LEADS OR HARDWIRE OPTION USE:**  
**18AWG 4 Conductor Shielded Cable | CABLE-18AWG-GRY-4S**

