



the LED lighting source™

COMMERCIAL • LANDSCAPE • ARCHITECTURAL • RESIDENTIAL

15 Brownridge Rd. Unit 6, Halton Hills, ON L7G 0C6 • 905-487-8192 • 1-877-LED-2DAY • SGiLighting.com

Project: _____

Client: _____

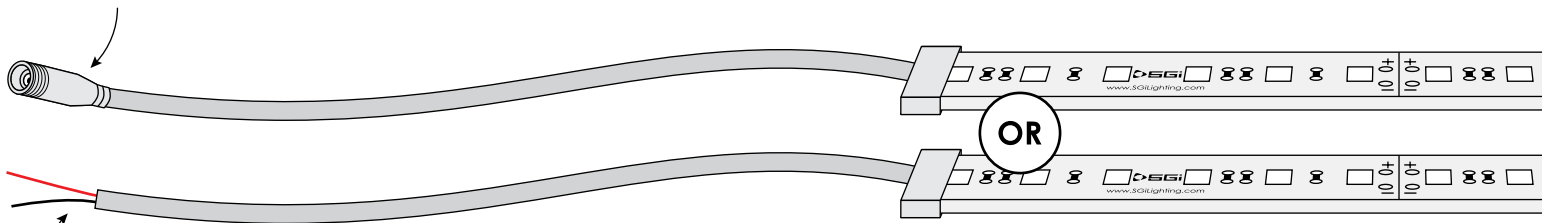
Part #: FLEX - P - ULTRA - ov - fin - lc - cri

Date: ____ dd / mm / yyyy Qty: _____

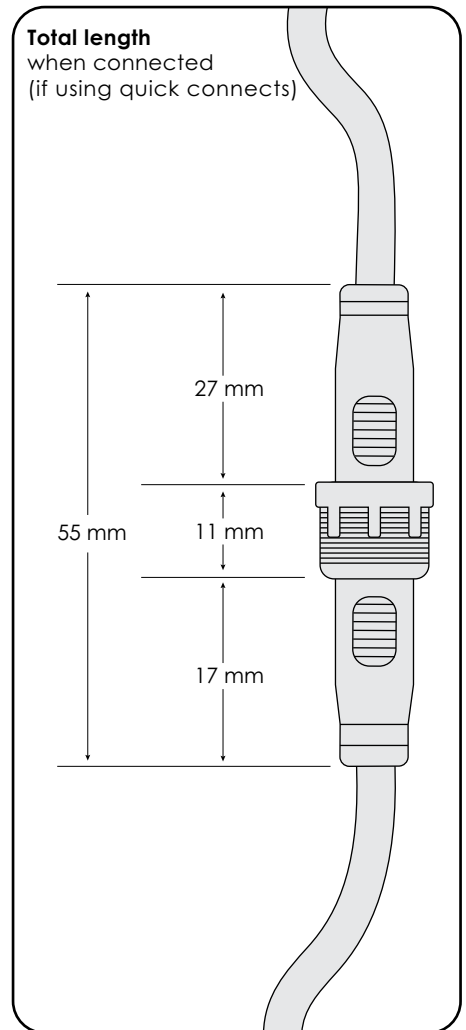
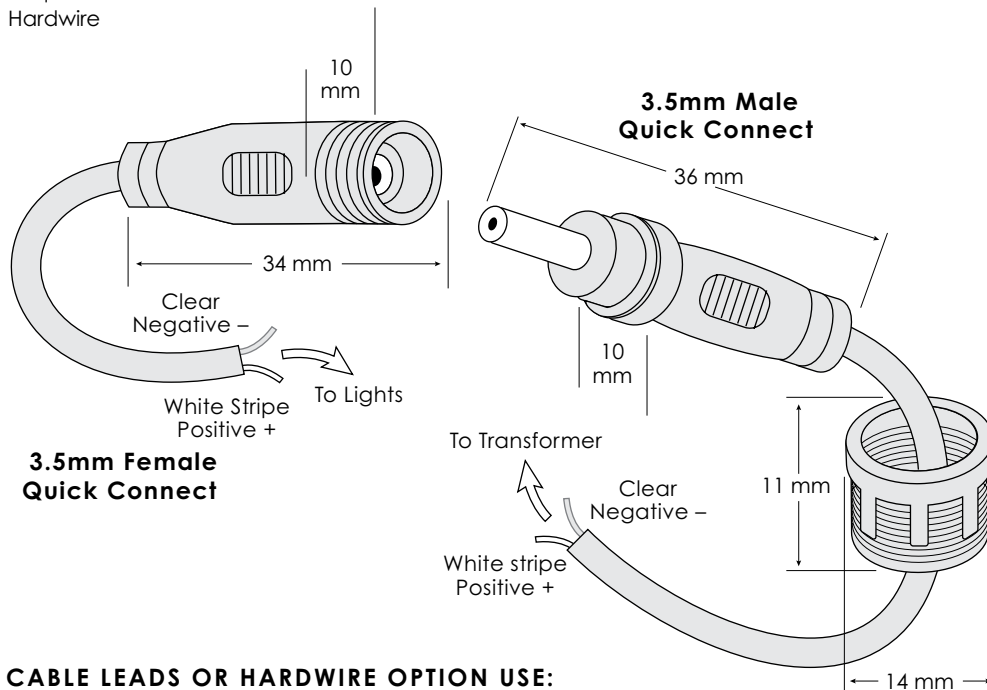
LED Flex Light • UltraBright • Cable Options

Cable Options for Single Colour – **Choose between Quick Connect or Hardwire option**
Choose between 2 Ft, 5 Ft or 10 Ft cable leads

Easy Quick Connects



Hardwire



CABLE LEADS OR HARDWIRE OPTION USE:
18AWG 2 Conductor Shielded Cable | CABLE-18AWG-GRY-2S

