



the LED lighting source™
 COMMERCIAL • LANDSCAPE • ARCHITECTURAL • RESIDENTIAL

15 Brownridge Rd. Unit 6, Halton Hills, ON L7G 0C6 • 905-487-8192 • 1-877-LED-2DAY • SGIlighting.com

Project: _____

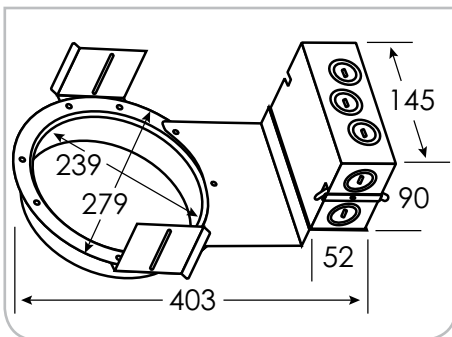
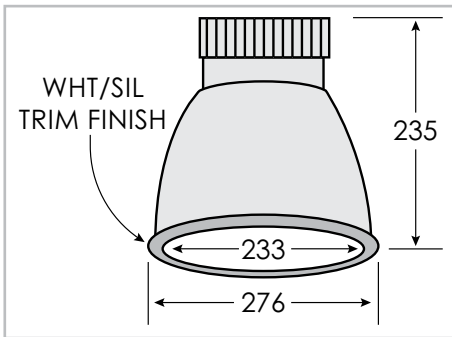
Client: _____

Part #: DOWNC-P-42W-10IN- fin - 40 - lc

Date: / / Qty: _____

SPECIFICATION

LED Downlight Commercial • 42 Watt 10 Inch



Dimensions in millimeters

Part Number Configuration – DOWNC-P-42W-10IN-fin-ba-lc

Operating Voltage (ov)	1000 mA 35 V DC 38 V DC	Constant Current Typical Maximum
Finish (fin)	SIL	Silver WHT White
Beam Angle (ba) Degrees	40°	
Light Colour (lc) Correlated Colour Temperature (CCT)	2700K 3000K 4000K 5000K	Incandescent White Warm White Neutral White Cool White
Light Output Lumens	2700K 3000K 4000K 5000K	3200 3300 3500 3500
IP Rating	IP20	
Dimension Inner Diameter, Trim Diameter, Height	ID 9.2" 233 mm TD 10.9" 276 mm H 9.3" 235 mm	
Housing	Aluminum Alloy	
Watts	42W	
Light Source	1 x 42W LED COB Chip on Board	
Input Voltage	AC 100V – 277V	
Dimmable	Yes (0-10V)	
Operating Temperature	-25°C to +50°C -13°F to 122°F	
Life Lumen Maintenance	50,000 hours	

Category	Grade	Family	Finish (fin)	Beam Angle (ba)	Light Colour (lc)
DOWNC	P- Professional	42W 10IN	SIL Silver WHT White	40°	2700K IW 3000K WW 4000K NW 5000K CW