



the LED lighting source™
 COMMERCIAL • LANDSCAPE • ARCHITECTURAL • RESIDENTIAL

15 Brownridge Rd. Unit 6, Halton Hills, ON L7G 0C6 • 905-487-8192 • 1-877-LED-2DAY • SGIlighting.com

Project: _____

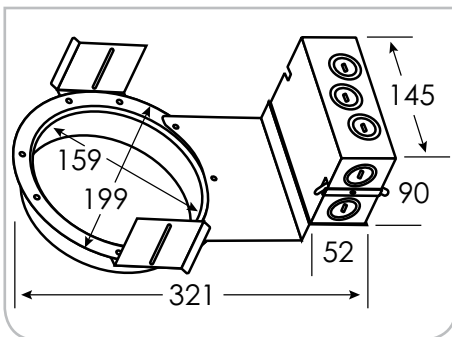
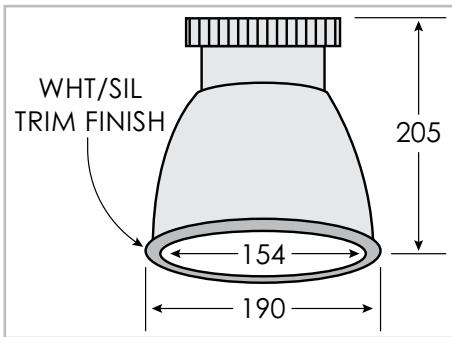
Client: _____

Part #: DOWNC-P-30W-6IN- fin - 40 - lc

Date: dd / mm / yyyy Qty: _____

SPECIFICATION

LED Downlight Commercial • 30 Watt 6 Inch



Dimensions in millimeters

Part Number Configuration – DOWNC-P-30W-6IN-fin-ba-lc

Operating Voltage (ov)	700 mA 35 V DC 38 V DC	Constant Current Typical Maximum
Finish (fin)	SIL Silver	WHT White
Beam Angle (ba) Degrees	40°	
Light Colour (lc) Correlated Colour Temperature (CCT)	2700K 3000K 4000K 5000K	Incandescent White Warm White Neutral White Cool White
Light Output Lumens	2700K 3000K 4000K 5000K	2250 2400 2500 2500
IP Rating	IP20	
Dimension Inner Diameter, Trim Diameter, Height	ID TD H	6.1" 154 mm 7.5" 190 mm 8.1" 205 mm
Housing	Aluminum Alloy	
Watts	30W	
Light Source	1 x 30W LED COB Chip on Board	
Input Voltage	AC 100V – 277V	
Dimmable	Yes (0-10V)	
Operating Temperature	-25°C to +50°C	-13°F to 122°F
Life Lumen Maintenance	50,000 hours	

Category	Grade	Family	Finish (fin)	Beam Angle (ba)	Light Colour (lc)
DOWNC	P- Professional	30W 6IN	SIL Silver WHT White	40°	2700K IW 3000K WW 4000K NW 5000K CW