



the LED lighting source™
 COMMERCIAL • LANDSCAPE • ARCHITECTURAL • RESIDENTIAL

15 Brownridge Rd. Unit 6, Halton Hills, ON L7G 0C6 • 905-487-8192 • 1-877-LED-2DAY • SGIlighting.com

Project: _____

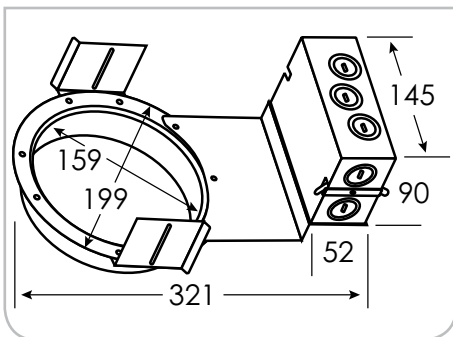
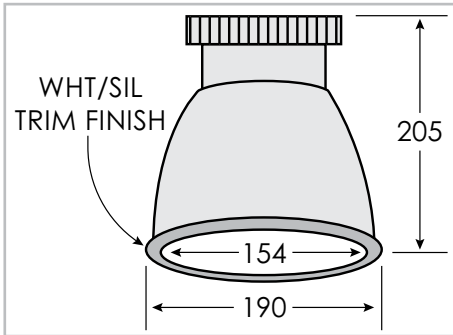
Client: _____

Part #: DOWNC-P-25W-6IN- fin - 40 - lc

Date: / / Qty: _____

SPECIFICATION

LED Downlight Commercial • 25 Watt 6 Inch



Dimensions in millimeters

Part Number Configuration – DOWNC-P-25W-6IN-fin-ba-lc

Operating Voltage (ov)	600 mA 30 V DC 42 V DC	Constant Current Typical Maximum
Finish (fin)	SIL Silver	WHT White
Beam Angle (ba) Degrees	40°	
Light Colour (lc) Correlated Colour Temperature (CCT)	2700K 3000K 4000K 5000K	Incandescent White Warm White Neutral White Cool White
Light Output Lumens	2700K 1620 3000K 1660 4000K 1870 5000K 1900	
IP Rating	IP20	
Dimension Inner Diameter, Trim Diameter, Height	ID 6.1" 154 mm TD 7.5" 190 mm H 8.1" 205 mm	
Housing	Aluminum Alloy	
Watts	25W	
Light Source	1 x 25W LED COB Chip on Board	
Input Voltage	AC 100V – 277V	
Dimmable	Yes (0-10V)	
Operating Temperature	-25°C to +50°C -13°F to 122°F	
Life Lumen Maintenance	50,000 hours	

Category	Grade	Family	Finish (fin)	Beam Angle (ba)	Light Colour (lc)
DOWNC	P- Professional	25W 6IN	SIL Silver WHT White	40°	2700K IW 3000K WW 4000K NW 5000K CW