



the LED lighting source™

COMMERCIAL • LANDSCAPE • ARCHITECTURAL • RESIDENTIAL

15 Brownridge Rd. Unit 6, Halton Hills, ON L7G 0C6 • 905-487-8192 • 1-877-LED-2DAY • SGiLighting.com

Project: _____

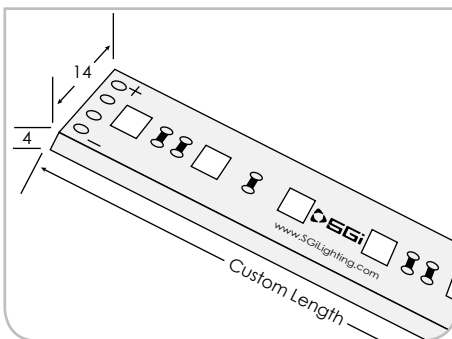
Client: _____

Part #: FLEX - P - ULTRA - ov - fin - RGB

Date: / / Qty: _____

SPECIFICATION

LED Flex Light • UltraBright RGB



Operating Voltage (ov)	24V DC 12V DC*
Finish (fin)	Rugged – silicone injected, available in: WHT White PCB BLK Black PCB*
Light Colour (lc) Correlated Colour Temperature (CCT)	RGB Colour Changing Also available in Whites and Single Colours Please see individual product spec sheets
Beam Angle (ba) Degrees	120°
Light Output Lumens	RGB White 336.6 per foot
IP Rating	IP67
Dimension Width, Height, Length	W 0.551" 14 mm H 0.157" 4 mm L Specify maximum length in inches
Watts	4.4W per foot
Input Voltage	AC 100V – 240V, 277V, 347V external transformer
Dimmable	Yes With dimmable transformer MLV, ELV or 0-10V. Please specify at time of order.
Operating Temperature	-25°C to +50°C -13°F to 122°F
Life Lumen Maintenance	50,000 hours

Part Number Configuration – FLEX-P-ULTRA-ov-fin-lc

Category	Grade	Family	Operating Voltage (ov)	Finish (fin)	Light Colour (lc)
FLEX	P- Professional	ULTRA	12VDC* 24VDC	WHT White BLK Black*	RGB

* Available on special order. Certain conditions apply.



the LED lighting source™

COMMERCIAL • LANDSCAPE • ARCHITECTURAL • RESIDENTIAL

15 Brownridge Rd. Unit 6, Halton Hills, ON L7G 0C6 • 905-487-8192 • 1-877-LED-2DAY • SGILighting.com

Project: _____

Client: _____

Part #: FLEX - P - ULTRA - ov - fin - RGB

Date: / / Qty:

INSTALLATION

LED Flex Light • UltraBright RGB • Wiring

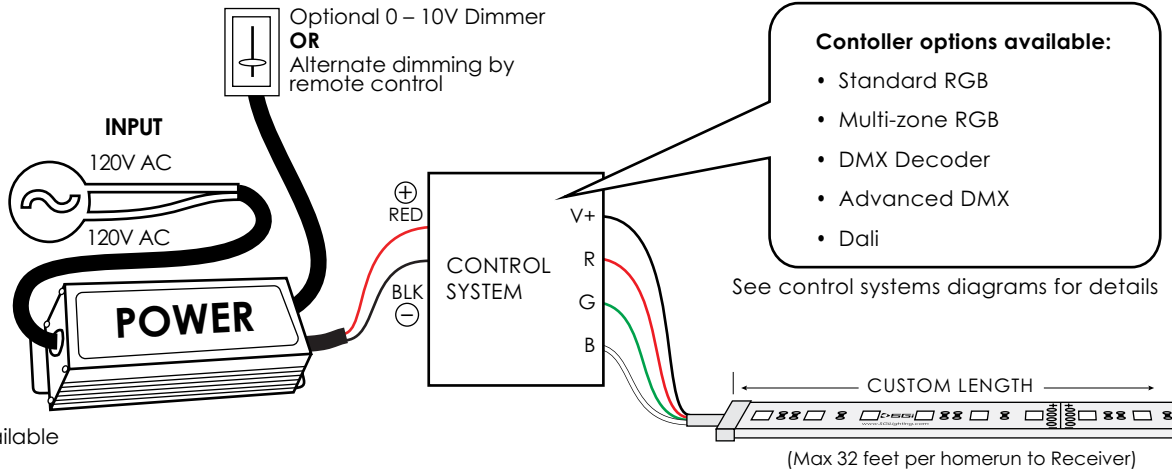
LED FLEX – RGB WIRING

To Start:

You will need:

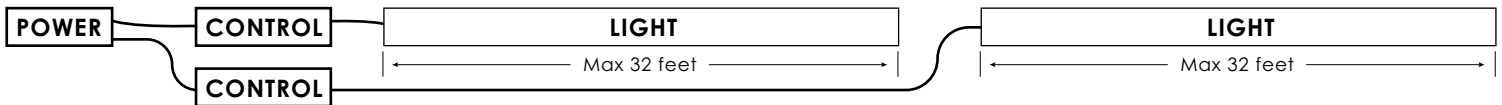
- Marettes
- Clear silicone
- SGi LED Transformer(s)
- SGi LED Neon Light Strip(s)
- 18 AWG 4 conductor shielded cable

* Non-dimmable drivers are available

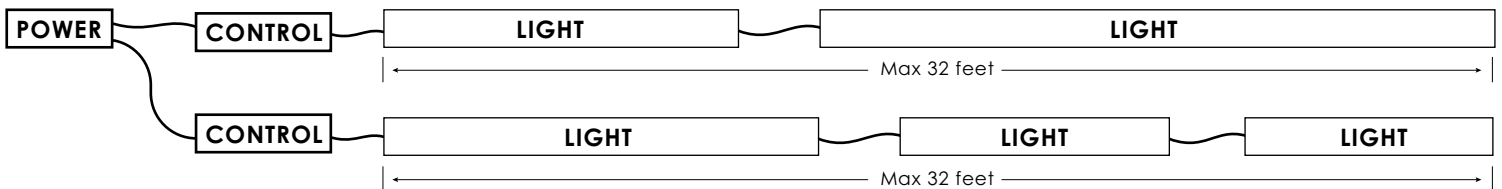


LED FLEX – WIRING CONFIGURATION EXAMPLES

The following illustrations are guides only. They are here to introduce general wiring configurations.



Homerun back to the controller once LED Flex light reaches 32 feet



Customize with small jumpers to incorporate unique lengths into run. Homerun to control once run reaches 32 feet.

FLEX-ULTRA-ov-fin-RGB – POWER-36-24VDC-watt DIMMABLE (12VDC Power options available)

	20 Watt	40 Watt	60 Watt	96 Watt	150 Watt	200 Watt	300 Watt
Max linear ft	3 ft	7 ft	10 ft	17 ft	27 ft	36 ft*	54 ft*
Max cable distance between power & light	12AWG >300ft	12AWG 189ft	12AWG 126ft	12AWG 68ft	12AWG 46ft	12AWG 35ft	12AWG 23ft
	14AWG 238ft	14AWG 119ft	14AWG 79ft	14AWG 43ft	14AWG 29ft	14AWG 21ft	14AWG 14ft
	16AWG 149ft	16AWG 74ft	16AWG 49ft	16AWG 27ft	16AWG 18ft	16AWG 13ft	16AWG 9ft
	18AWG 94ft	18AWG 47ft	18AWG 31ft	18AWG 17ft	18AWG 11ft	18AWG 9ft	18AWG 6ft

* Every 32 linear feet of light must be home-run to a transformer.