



the LED lighting source  
COMMERCIAL • LANDSCAPE • ARCHITECTURAL • RESIDENTIAL

Project: \_\_\_\_\_

Client: \_\_\_\_\_

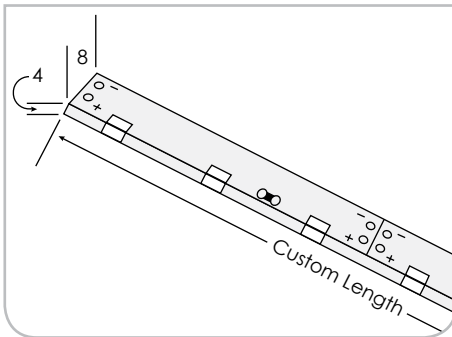
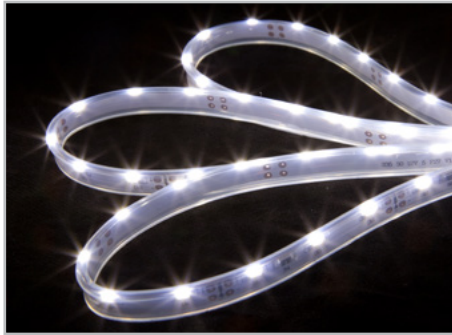
Part #: FLEX-P-SIDE- ov - fin - lc - cri

Date: \_\_\_\_\_ dd / mm / yyyy Qty: \_\_\_\_\_

15 Brownridge Rd. Unit 6, Halton Hills, ON L7G 0C6 • 905-487-8192 • 1-877-LED-2DAY • SGiLighting.com

SPECIFICATION

## LED Flex Light • SideView



Dimensions in millimeters

<b>Operating Voltage (ov)</b>	24V DC 12V DC <sup>1</sup>
<b>Finish (fin)</b>	Bare board (no covering), available in: WHT White PCB BLK Black PCB <sup>1</sup>
<b>Light Colour (lc)</b> Correlated Colour Temperature (CCT)	2700K Incandescent White 3000K Warm White 3500K Sand White 4000K Neutral White 5000K Cool White Specify Kelvin (K) for other CCTs <sup>1</sup> R Red <sup>1</sup> G Green <sup>1</sup> B Blue <sup>1</sup> A Amber <sup>1</sup>
<b>Beam Angle (ba) Degrees</b>	120°
<b>Light Output</b> Lumens (at 85 CRI)	3000K 183 per foot 5000K 202 per foot
<b>CRI (cri) Colour Rendering Index</b>	85 95 <sup>1</sup>
<b>IP Rating</b>	IP20
<b>Dimension</b> Width, Height, Length	W 0.315" 8 mm H 0.157" 4 mm L Specify maximum length in inches
<b>Watts</b>	1.57W per foot
<b>Input Voltage</b>	AC 100V – 240V, 277V external transformer
<b>Dimmable</b>	Yes With dimmable transformer MLV, ELV or 0-10V. Please specify at time of order.
<b>Operating Temperature</b>	-25°C to +50°C -13°F to 122°F
<b>Life Lumen Maintenance</b>	50,000 hours
<b>Warranty</b>	5 Years

### Recommended Tracks

LP0812

REC1212

See track page for more compatible tracks. See individual track cutsheets for more details.

### Part Number Configuration – FLEX-P-SIDE- ov - fin - lc - cri

Category	Family	Operating Voltage (ov)	Finish (fin)	Light Colour (lc)	CRI (cri)
FLEX-P Professional	SIDE	12VDC <sup>1</sup> 24VDC	WHT White BLK Black <sup>1</sup>	2700K IW 3000K WW 3500K SW 4000K NW 5000K CW R <sup>1</sup> G <sup>1</sup> B <sup>1</sup> A <sup>1</sup>	85 95 <sup>1</sup>

<sup>1</sup> SPECIAL ORDER. Please confirm availability  
Allow for 4 – 6 weeks lead time



the LED lighting source  
COMMERCIAL • LANDSCAPE • ARCHITECTURAL • RESIDENTIAL

Project: \_\_\_\_\_

Client: \_\_\_\_\_

Part #: FLEX-P-SIDE-ov-fin-lc-cri

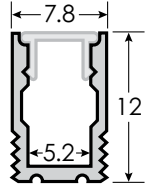
Date:      dd / mm / yyyy Qty:     

ACCESSORIES

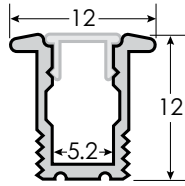
15 Brownridge Rd. Unit 6, Halton Hills, ON L7G 0C6 • 905-487-8192 • 1-877-LED-2DAY • SGiLighting.com

# LED Flex Light • SideView • Track Options

Please visit our **products page** on our website to view all tracks, along with track specifications.



TRACK-LP0812-CST-fin-ln



TRACK-REC1212-CST-fin-ln