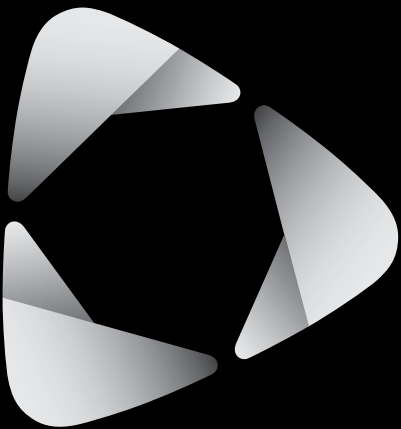


LED Flex Light • RegularBright



SGI

the LED lighting source™

COMMERCIAL • LANDSCAPE • ARCHITECTURAL • RESIDENTIAL



the LED lighting source™

COMMERCIAL • LANDSCAPE • ARCHITECTURAL • RESIDENTIAL

15 Brownridge Rd. Unit 6, Halton Hills, ON L7G 0C6 • 905-487-8192 • 1-877-LED-2DAY • SGI Lighting.com

Project: _____

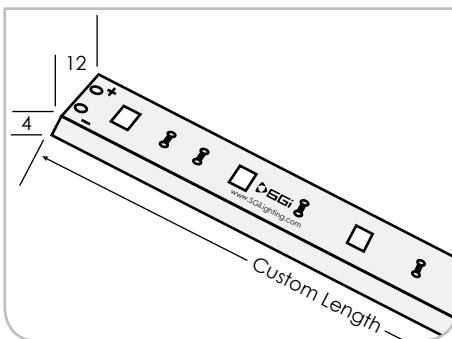
Client: _____

Part #: FLEX - P - REG - ov - fin - lc - cri

Date: dd / mm / yyyy Qty: _____

SPECIFICATION

LED Flex Light • RegularBright



Operating Voltage (ov)	24V DC	12V DC*
Finish (fin)	Rugged – silicone injected, available in: WHT White PCB BLK Black PCB*	
Light Colour (lc) Correlated Colour Temperature (CCT)	2700K Incandescent White 3000K Warm White 3500K Sand White 4000K Neutral White 5000K Cool White Specify Kelvin (K) for other CCTs* R Red* G Green* B Blue* A Amber* See RGB spec sheets for Colour Changing options	
Beam Angle (ba) Degrees	120°	
Light Output Lumens (at 85 CRI)	2700K 3000K 3500K 4000K 5000K	139.8 145.4 151.1 163.4 173.7 per foot
CRI (cri) Colour Rendering Index	85	95*
IP Rating	IP67	
Dimension Width, Height, Length	W 0.472" 12 mm H 0.157" 4 mm L Specify maximum length in inches	
Watts	2.2W per foot	
Input Voltage	AC 100V – 240V, 277V, 347V external transformer	
Dimmable	Yes With dimmable transformer MLV, ELV or 0-10V. Please specify at time of order.	
Operating Temperature	-25°C to +50°C -13°F to 122°F	
Life Lumen Maintenance	50,000 hours	

Part Number Configuration – FLEX-P-REG-ov-fin-lc-cri

Category	Grade	Family	Operating Voltage (ov)	Finish (fin)	Light Colour (lc)	CRI (cri)
FLEX	P- Professional	REG	12VDC* 24VDC	WHT White BLK Black*	2700K IW 3000K WW 3500K SW 4000K NW 5000K CW R* G* B* A*	85 95*

* Available on special order



the LED lighting source™

COMMERCIAL • LANDSCAPE • ARCHITECTURAL • RESIDENTIAL

15 Brownridge Rd. Unit 6, Halton Hills, ON L7G 0C6 • 905-487-8192 • 1-877-LED-2DAY • SGiLighting.com

Project: _____

Client: _____

Part #: FLEX - P - REG - ov - fin - lc - cri

Date: ____ dd / mm / yyyy Qty: _____

INSTALLATION

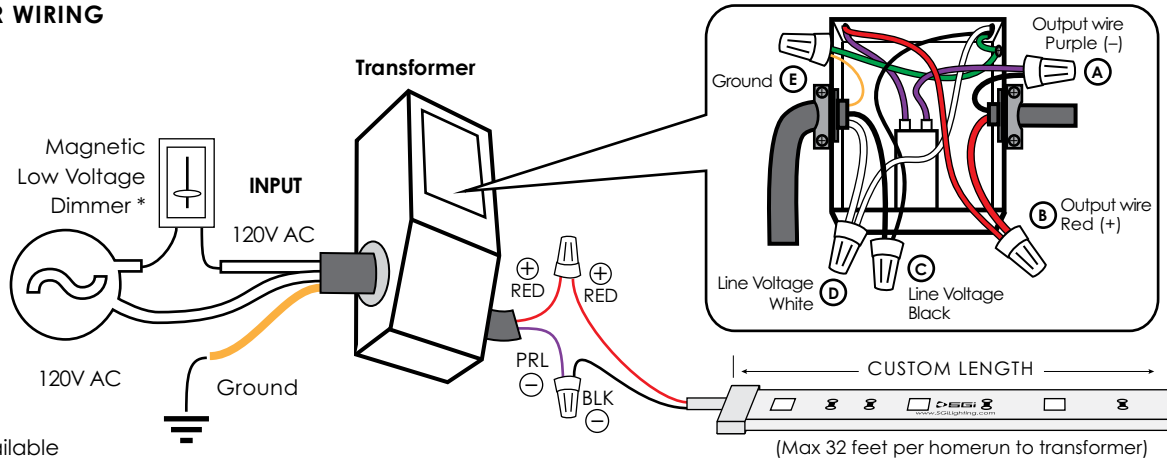
LED Flex Light • RegularBright • Wiring

LED FLEX – SINGLE COLOUR WIRING

To Start:

You will need:

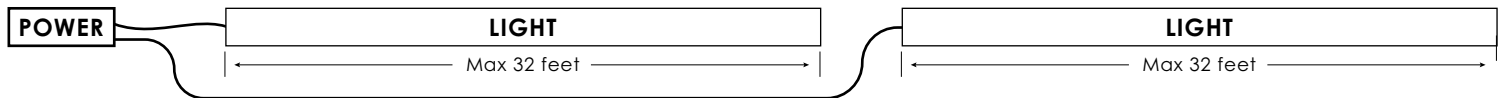
- Marettes
- Clear silicone
- SGi LED Transformer(s)
- SGi LED Flex Light Strip(s)
- 12 to 18 AWG 2 conductor shielded cable



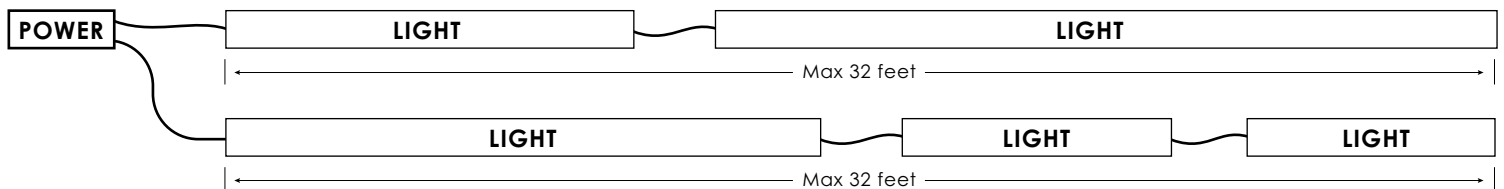
* Non-dimmable drivers are available

LED FLEX – WIRING CONFIGURATION EXAMPLES

The following illustrations are guides only. They are here to introduce general wiring configurations.



Homerun back to the power supply once LED Flex light reaches 32 feet



Customize with small jumpers to incorporate unique lengths into run. Homerun to power once run reaches 32 feet.

FLEX-REG-ov-fin-lc – POWER-36-24VDC-watt DIMMABLE (12VDC Power options available)

	20 Watt	40 Watt	60 Watt	96 Watt	150 Watt	200 Watt	300 Watt
Max linear ft	7 ft	14 ft	21 ft	35 ft*	54 ft*	72 ft*	109 ft*
Max cable distance between power & light	12AWG >300ft	12AWG 189ft	12AWG 126ft	12AWG 68ft	12AWG 46ft	12AWG 35ft	12AWG 23ft
	14AWG 238ft	14AWG 119ft	14AWG 79ft	14AWG 43ft	14AWG 29ft	14AWG 21ft	14AWG 14ft
	16AWG 149ft	16AWG 74ft	16AWG 49ft	16AWG 27ft	16AWG 18ft	16AWG 13ft	16AWG 9ft
	18AWG 94ft	18AWG 47ft	18AWG 31ft	18AWG 17ft	18AWG 11ft	18AWG 9ft	18AWG 6ft

* Every 32 linear feet of light must be home-run to a transformer.



the LED lighting source™

COMMERCIAL • LANDSCAPE • ARCHITECTURAL • RESIDENTIAL

15 Brownridge Rd. Unit 6, Halton Hills, ON L7G 0C6 • 905-487-8192 • 1-877-LED-2DAY • SGiLighting.com

Project: _____

Client: _____

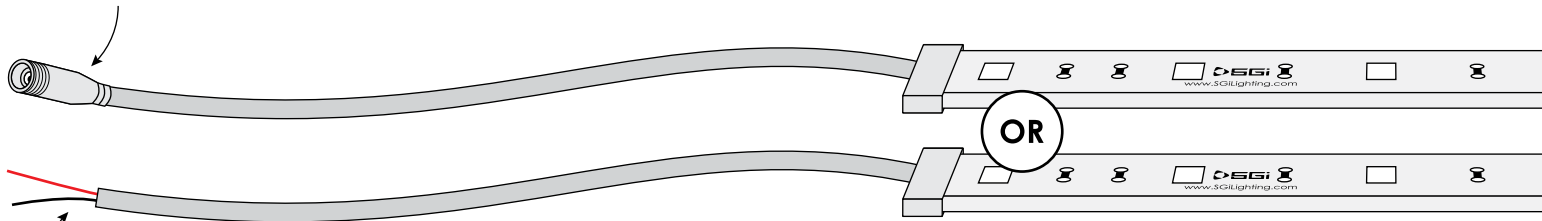
Part #: FLEX - P - REG - ov - fin - lc - cri

Date: dd / mm / yyyy Qty: _____

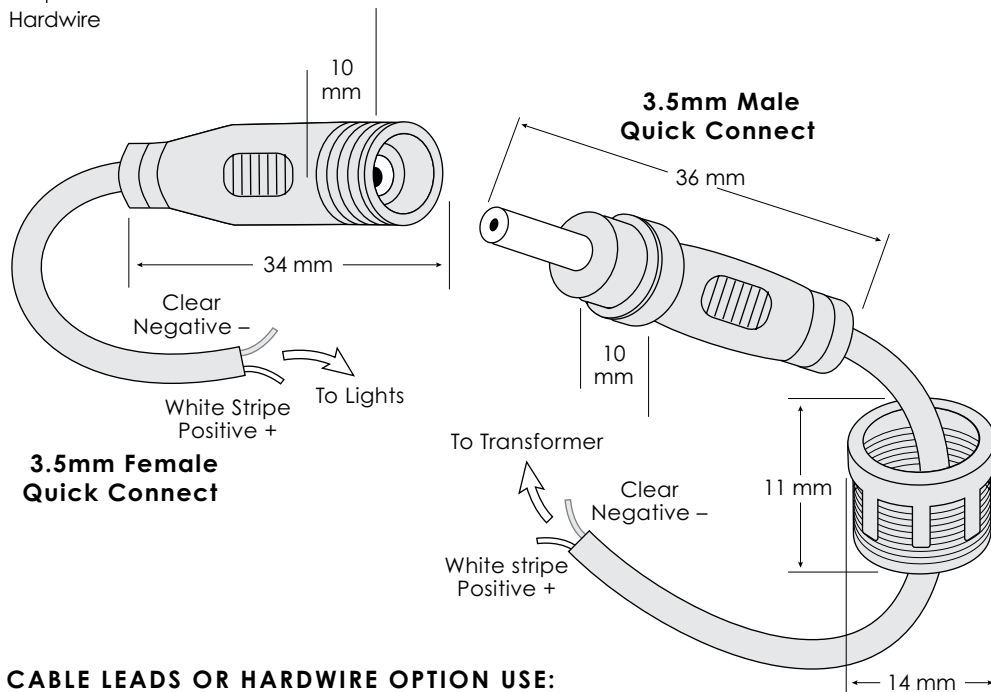
LED Flex Light • RegularBright • Cable Options

Cable Options for Single Colour – **Choose between Quick Connect or Hardwire option**
Choose between 2 Ft, 5 Ft or 10 Ft cable leads

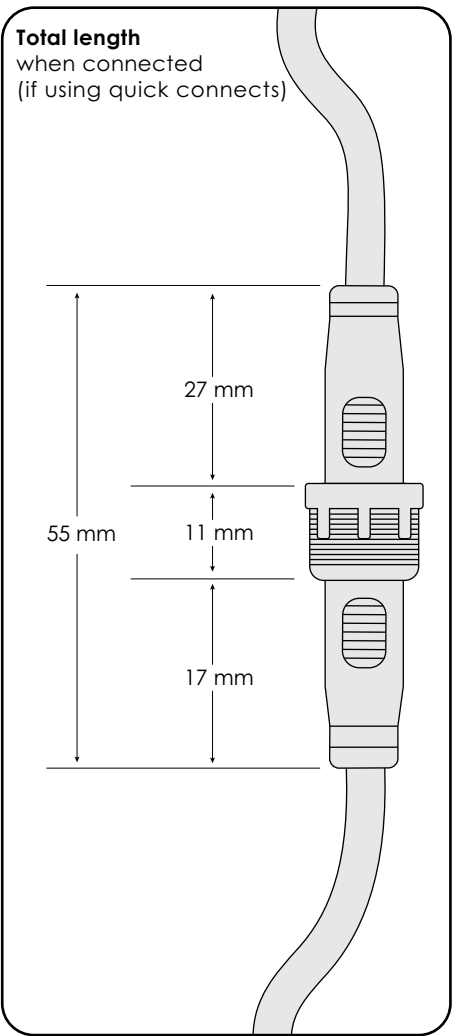
Easy Quick Connects



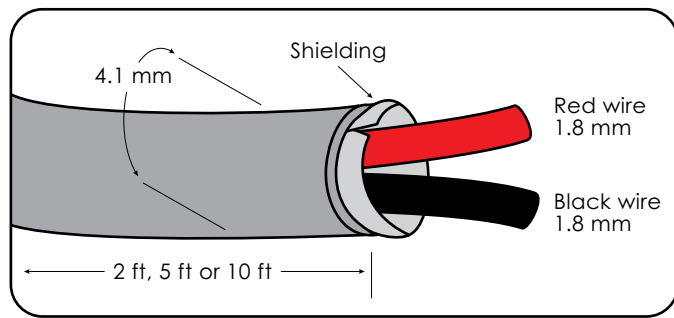
Hardwire



Total length
when connected
(if using quick connects)



CABLE LEADS OR HARDWIRE OPTION USE:
18AWG 2 Conductor Shielded Cable | CABLE-18AWG-GRY-2S



LED Flex Light • RegularBright



At just 2.2 watts per foot, SGI's RegularBright LED Flex Lights are a dimmable lighting alternative that provides crisp illumination with a flexible design. Choose from different colour temperatures for versatility in any lighting application. SGI's RegularBright LED Flex lights can be installed as indoor or outdoor lighting and have a super low profile and compact design that is perfect for car interior lighting, display lighting, step lighting and more. Install custom lengths of multiple or single runs along straight edges or curves. Install with dimmable LED power supplies on single or multiple transformers.



Applications:

Unique and versatile illumination for commercial, residential and landscape applications

Visit our LED Lighting Inspiration Centre

15 Brownridge Rd. Unit 6
Halton Hills, ON L7G 0C6

1.877.LED2DAY (533.2329)
905.487.8192

SGILighting.com