



the LED lighting source™
 COMMERCIAL • LANDSCAPE • ARCHITECTURAL • RESIDENTIAL

15 Brownridge Rd. Unit 6, Halton Hills, ON L7G 0C6 • 905-487-8192 • 1-877-LED-2DAY • SGIlighting.com

Project: _____

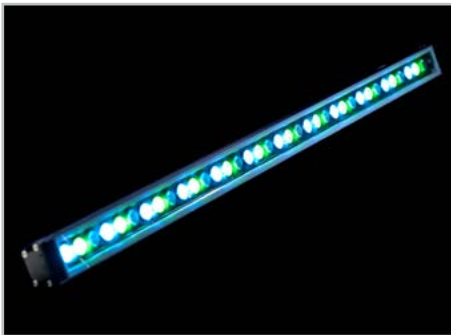
Client: _____

Part #: WASH-36W-LP10L36-24VDC-fin-45-RGB

Date: / / Qty: _____

SPECIFICATION

LED Washer • 36 Watt LP10 36 LED RGB



Operating Voltage (ov)	24V DC		
Finish (fin)	WHT BLK	White Black	SIL Silver
Beam Angle (ba) Degrees	45°		
Light Colour (lc) Correlated Colour Temperature (CCT)	RGB	Colour Changing	
	Also available in Whites and Single Colours Please see individual product spec sheets		
Light Output Lumens	RGB White	1876.8	
IP Rating	IP65		
Dimension Width, Height, Length	W H L	2.20" 4.29" 40"	56 mm 109 mm with bracket 1017 mm
Housing	Aluminum Alloy		
Watts	36W		
Light Source	36 x 1W LED		
Input Voltage	AC 100V – 240V, 277V external transformer		
Dimmable	Yes – with dimmable transformer		
Operating Temperature	-25°C to +50°C -13°F to 122°F		
Life Lumen Maintenance	50,000 hours		

Part Number Configuration – WASH-36W-LP10L36-ov-fin-ba-lc

Category	Family	Operating Voltage (ov)	Finish (fin)	Beam Angle (ba)	Light Colour (lc)
WASH	36W LP10 L36	24VDC	WHT White BLK Black SIL Silver	45°	RGB



the LED lighting source™
 COMMERCIAL • LANDSCAPE • ARCHITECTURAL • RESIDENTIAL

15 Brownridge Rd. Unit 6, Halton Hills, ON L7G 0C6 • 905-487-8192 • 1-877-LED-2DAY • SGIlighting.com

Project: _____

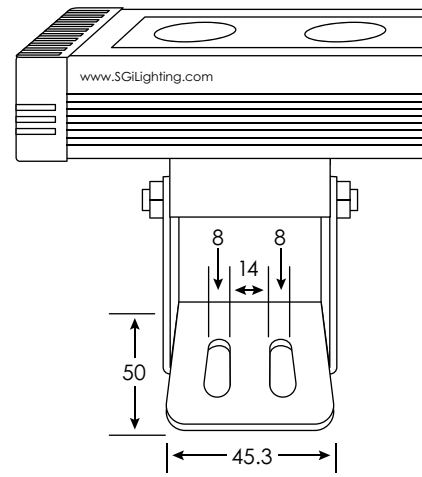
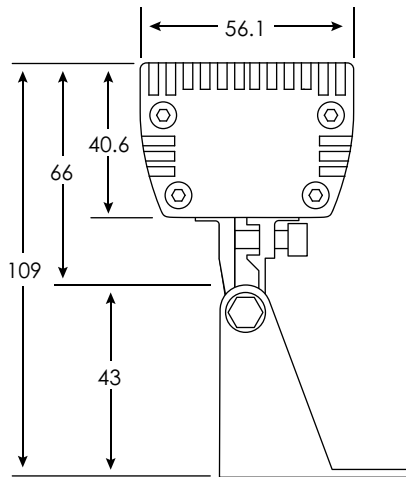
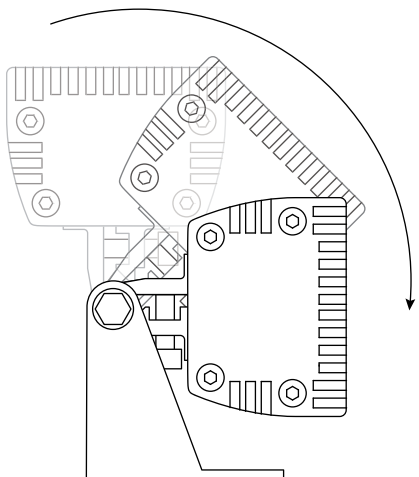
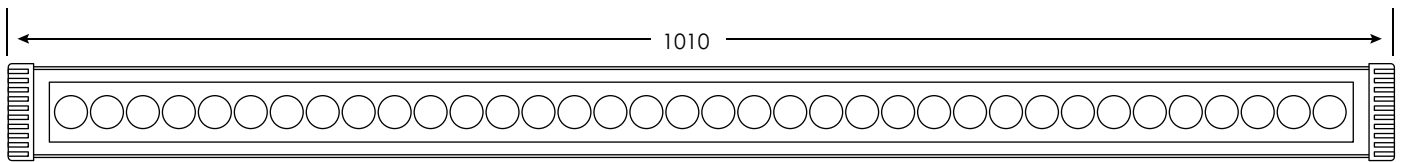
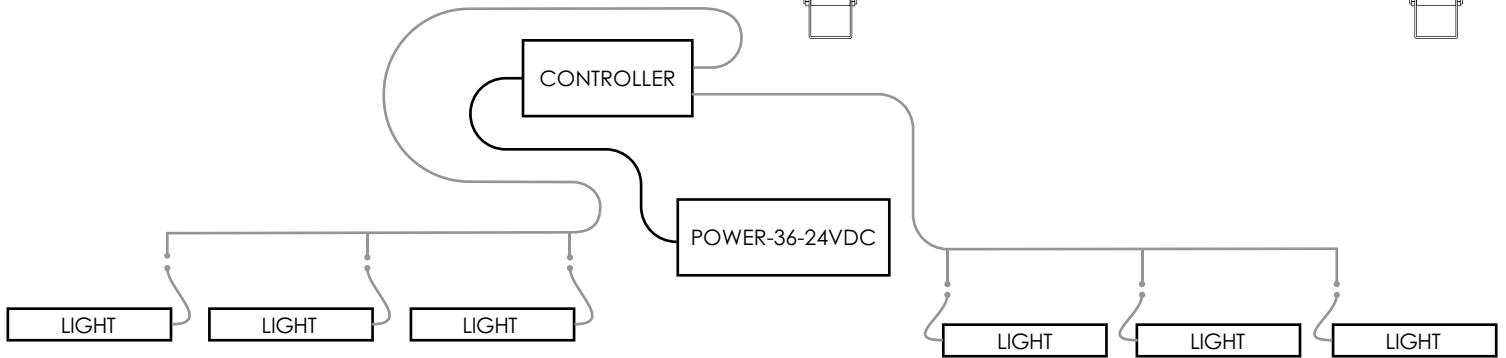
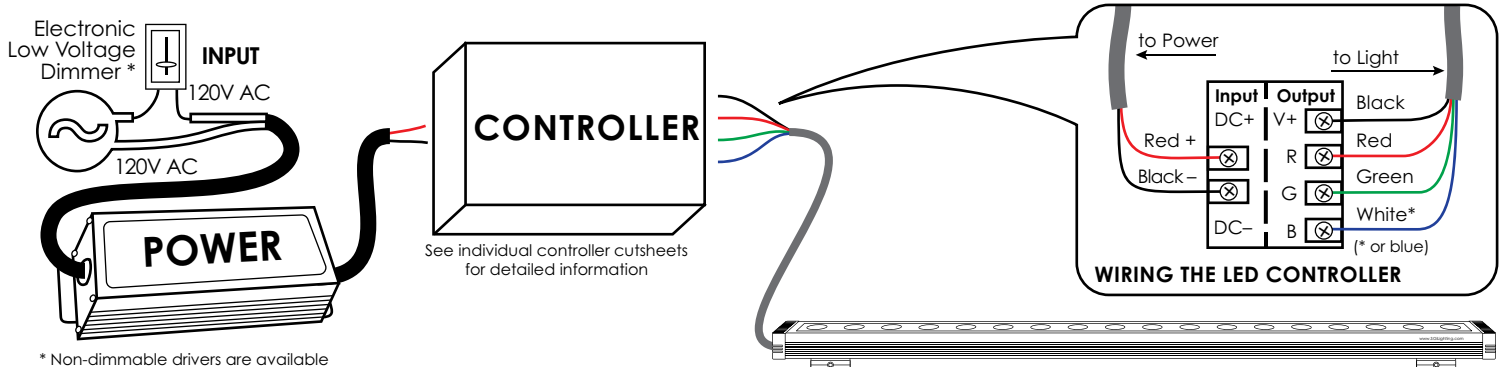
Client: _____

Part #: WASH-36W-LP10L36-24VDC-fin-45-RGB

Date: / / Qty: _____

DIMENSIONS

LED Washer • 36 Watt LP10 36 LED RGB



* Available on special order