



the LED lighting source™

COMMERCIAL • LANDSCAPE • ARCHITECTURAL • RESIDENTIAL

15 Brownridge Rd. Unit 6, Halton Hills, ON L7G 0C6 • 905-487-8192 • 1-877-LED-2DAY • SGIlighting.com

Project: _____

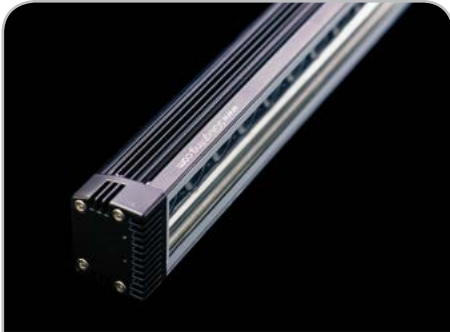
Client: _____

Part #: WASH-36W-LP10L36-24VDC-fin-ba-ic

Date: / / Qty: _____

SPECIFICATION

LED Washer • 36 Watt LP10 36 LED



Operating Voltage (ov)	24V DC		
Finish (fin)	WHT BLK	White Black	SIL Silver
Beam Angle (ba) Degrees	45°	12°*	80°*
Light Colour (lc) Correlated Colour Temperature (CCT)	2700K Incandescent White 3000K Warm White 4000K Neutral White 5000K Cool White RGB Colour Changing Specify Kelvin (K) for other CCTs* R Red* G Green* B Blue* A Amber*		
Light Output Lumens	3000K 4000K 5000K	1920 2132 2346	
IP Rating	IP65		
Dimension Diameter, Height, Hole Size	W H L	2.20" 4.29" 40"	56 mm 109 mm with bracket 1017 mm
Housing	Aluminum Alloy		
Watts	36W		
Light Source	36 x 1W LED MLT		
Input Voltage	AC 100V – 240V, 277V external driver		
Dimmable	Yes – with dimmable driver		
Operating Temperature	–25°C to +50°C –13°F to 122°F		
Life Lumen Maintenance	50,000 hours		

Part Number Configuration – WASH-36W-LP10L36-ov-fin-ba-ic

Category	Family	Operating Voltage (ov)	Finish (fin)	Beam Angle (ba)	Light Colour (lc)
WASH	36W LP10 L36	24VDC	WHT White BLK Black SIL Silver	12°* 45° 80°*	2700K IW 3000K WW 4000K NW 5000K CW RGB R* G* B* A*

* Available on special order



the LED lighting source™
 COMMERCIAL • LANDSCAPE • ARCHITECTURAL • RESIDENTIAL

15 Brownridge Rd. Unit 6, Halton Hills, ON L7G 0C6 • 905-487-8192 • 1-877-LED-2DAY • SGIlighting.com

Project: _____

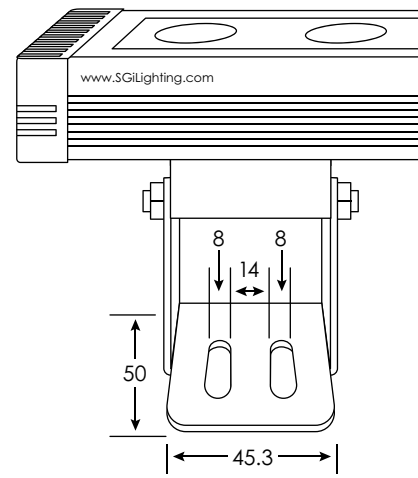
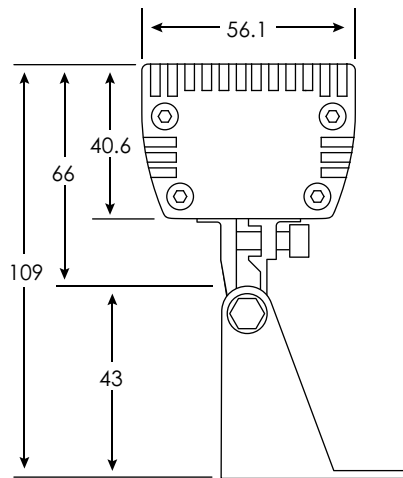
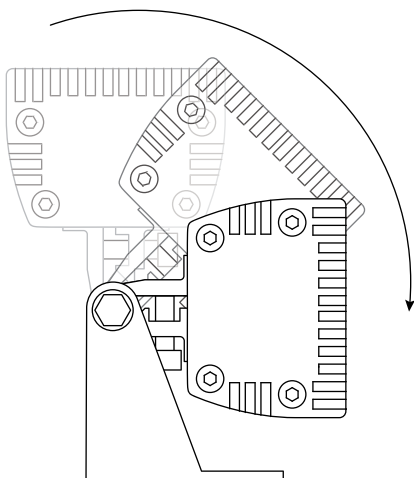
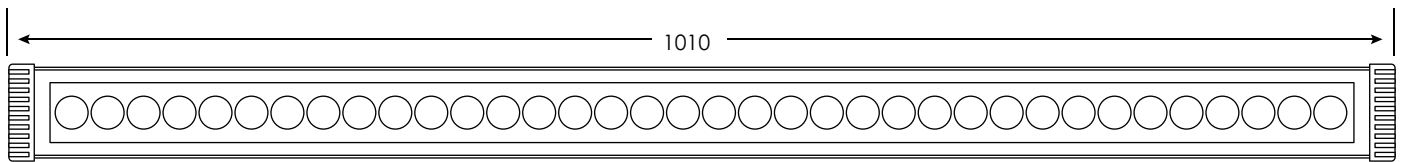
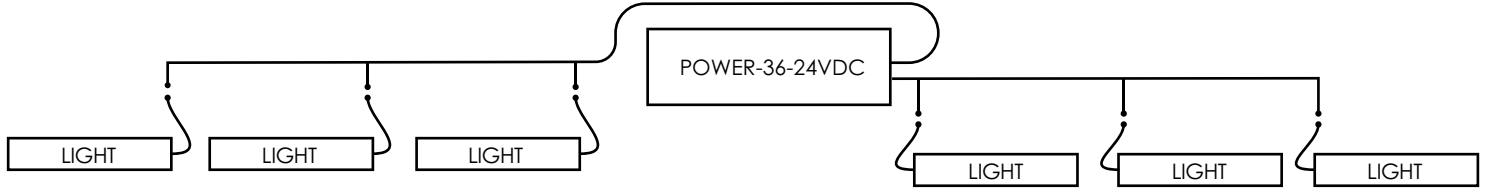
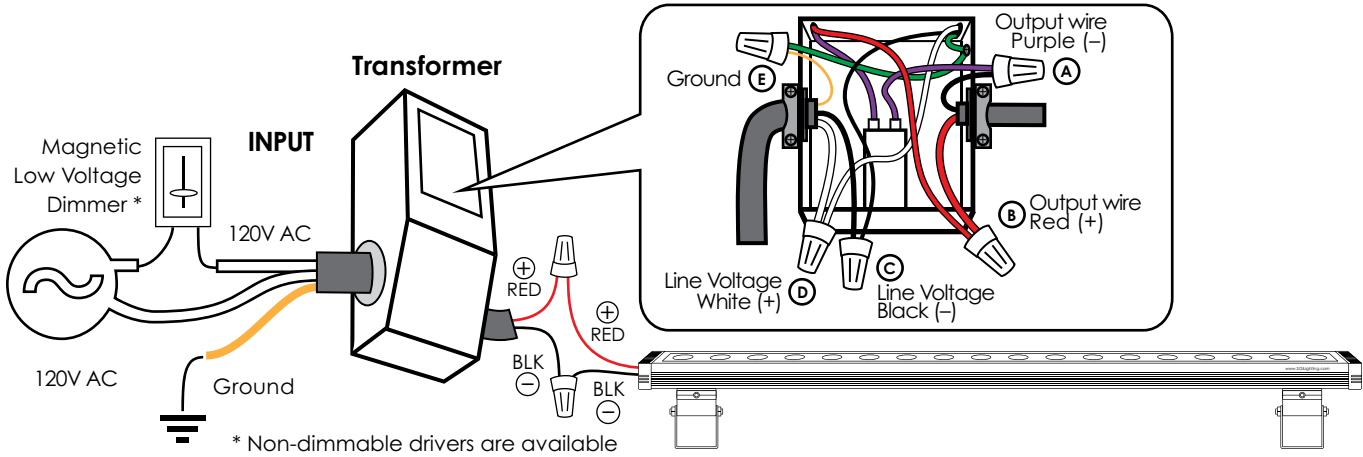
Client: _____

Part #: WASH-36W-LP10L36-24VDC-fin-ba-lc

Date: dd / mm / yyyy Qty:

DIMENSIONS

LED Washer • 36 Watt LP10 36 LED



* Available on special order