



the LED lighting source™
 COMMERCIAL • LANDSCAPE • ARCHITECTURAL • RESIDENTIAL

15 Brownridge Rd. Unit 6, Halton Hills, ON L7G 0C6 • 905-487-8192 • 1-877-LED-2DAY • SGIlighting.com

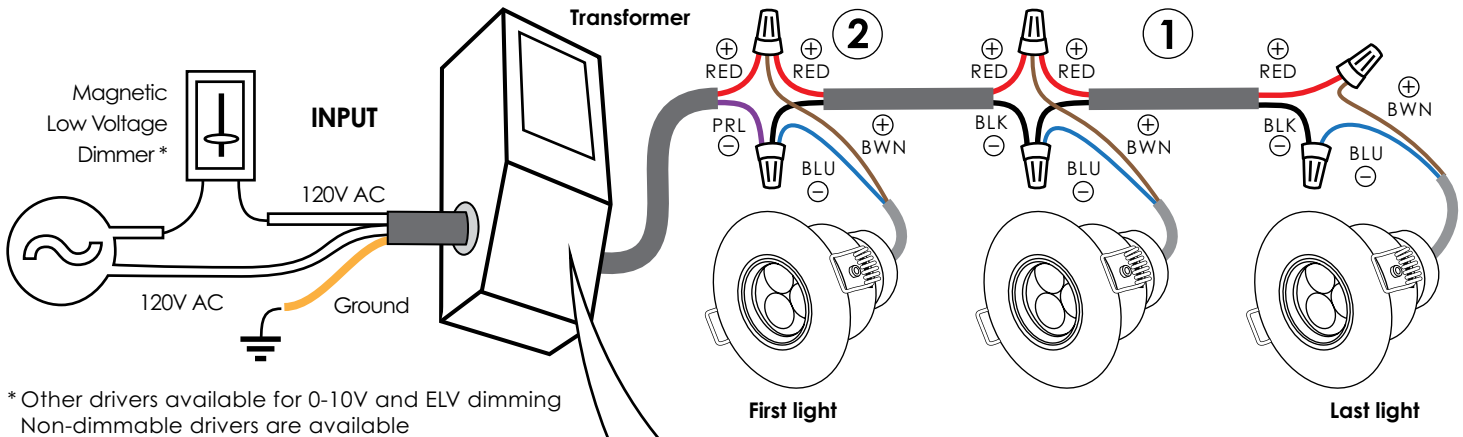
Project: _____

Client: _____

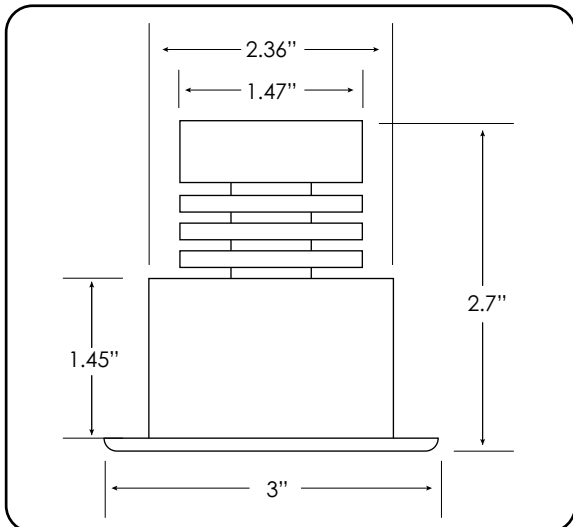
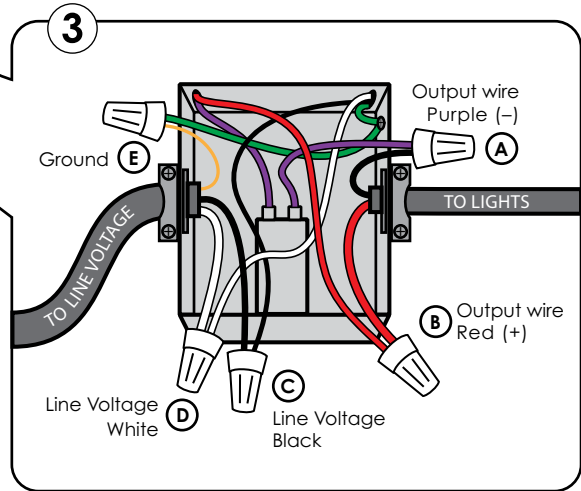
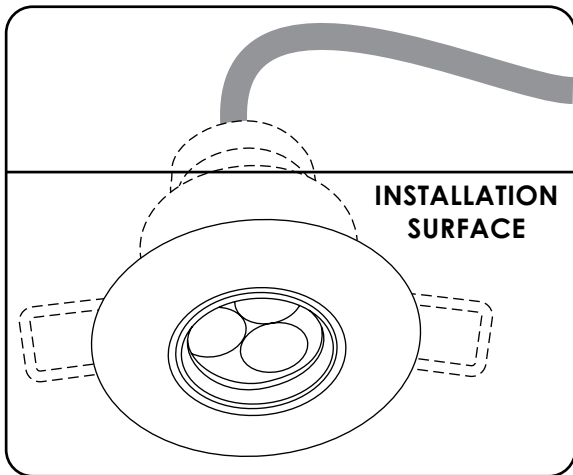
Part #: SFT-P-3W-SWL-12VDC-fin-ba-lc

Date: / / Qty: _____

LED Soffit Light • 3 Watt Swivel • Installation Guide



*Other drivers available for 0-10V and ELV dimming
 Non-dimmable drivers are available



1. Connect a main line of 14 or 16 AWG 2 conductor shielded cable from transformer to furthest light.
2. Connect each light to main cable run coming from the transformer in parallel connection as shown above.
 Brown wire from Light (+) to Red wire from Transformer (+)
 Blue wire from Light (-) to Purple wire from Transformer (-)
3. Connect power to transformer as shown.

Dimensions in inches.