



the LED lighting source™  
 COMMERCIAL • LANDSCAPE • ARCHITECTURAL • RESIDENTIAL

15 Brownridge Rd. Unit 6, Halton Hills, ON L7G 0C6 • 905-487-8192 • 1-877-LED-2DAY • SGIlighting.com

Project: \_\_\_\_\_

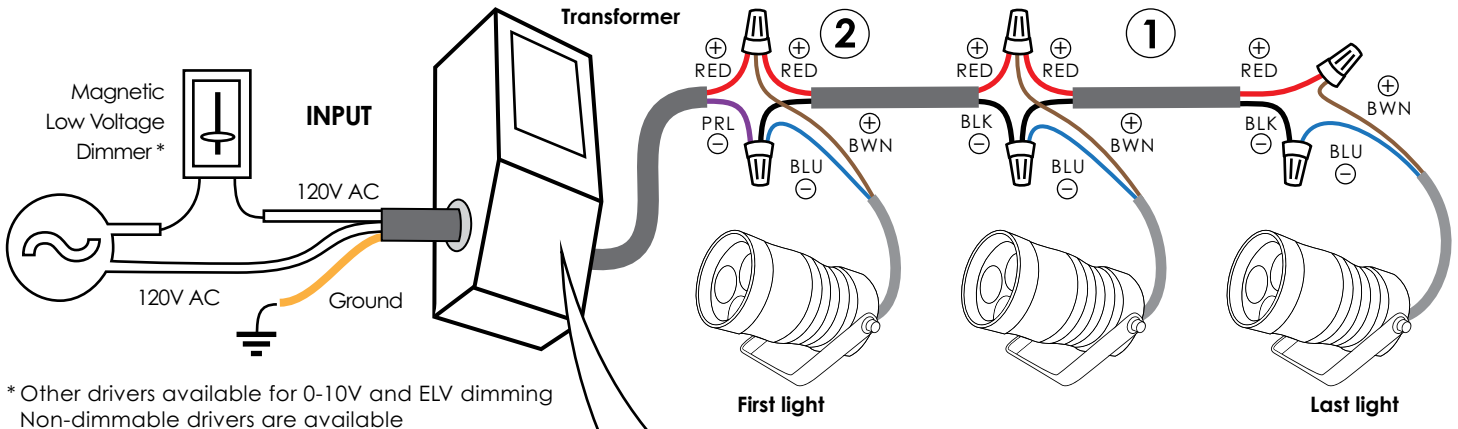
Client: \_\_\_\_\_

Part #: SPOT-P-3W-CYL-12VDC-fin-ba-lc

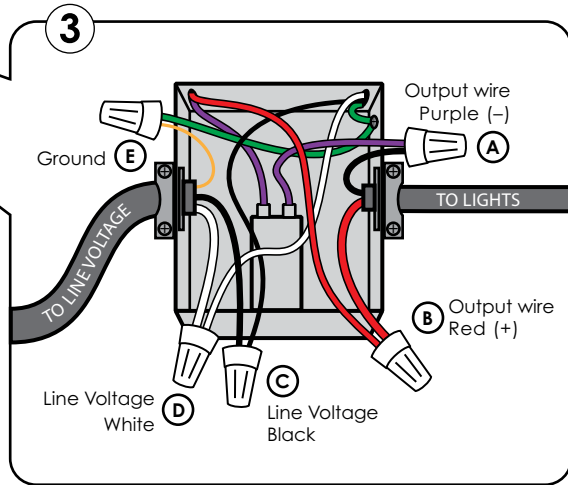
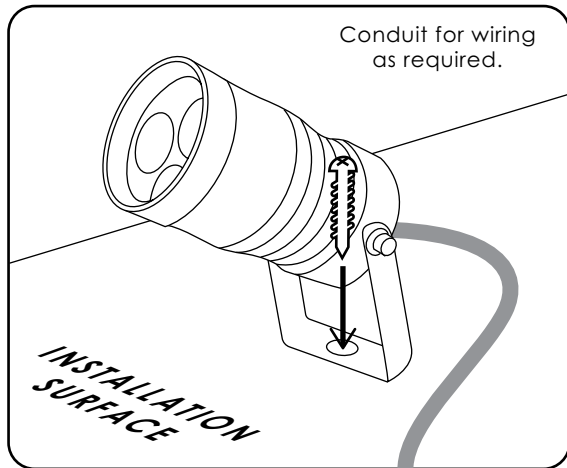
Date:      /      /      Qty: \_\_\_\_\_

INSTALLATION

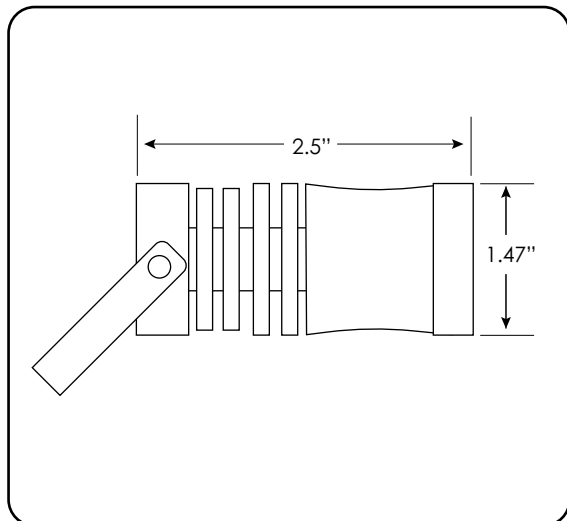
# LED Spot Light • 3 Watt Cylinder • Installation Guide



\* Other drivers available for 0-10V and ELV dimming  
 Non-dimmable drivers are available



1. Connect a main line of 14 or 16 AWG 2 conductor shielded cable from transformer to furthest light.
2. Connect each light to main cable run coming from the transformer in parallel connection as shown above.  
 Brown wire from Light (+) to Red wire from Transformer (+)  
 Blue wire from Light (-) to Purple wire from Transformer (-)
3. Connect power to transformer as shown.



Dimensions in inches.