



the LED lighting source™

COMMERCIAL • LANDSCAPE • ARCHITECTURAL • RESIDENTIAL

15 Brownridge Rd. Unit 6, Halton Hills, ON L7G 0C6 • 905-487-8192 • 1-877-LED-2DAY • SGILighting.com

Project: \_\_\_\_\_

Client: \_\_\_\_\_

Part #: POWER-36-24VDC-96D

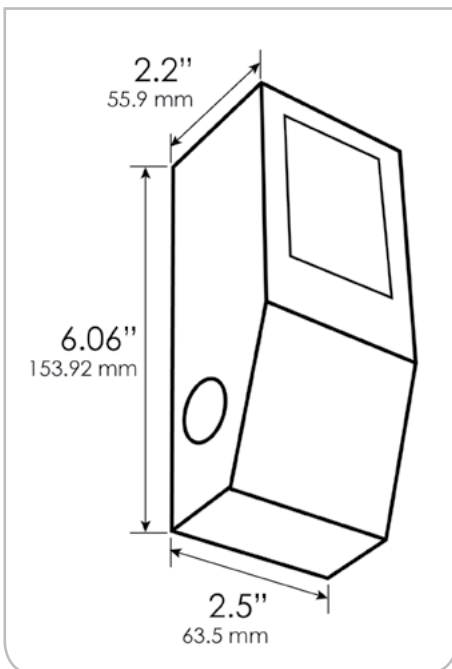
Date: dd / mm / yyyy Qty: \_\_\_\_\_

SPECIFICATION

## LED Power • 96 Watt 24VDC Dimmable



<b>AC Input Voltage</b>	120V 60 Hz 277V (Optional) 240V 50 Hz (Optional)
<b>DC Output Voltage</b>	23 VDC (at full load)
<b>Input Current Full Load</b>	0.898 A
<b>Max Load</b>	96W
<b>Open Circuit Volts</b>	25 VDC
<b>Output Current Full Load</b>	4.0 A
<b>Efficiency</b>	89.60%
<b>Leads Primary</b>	PVC 600 V #20
<b>Leads Secondary</b>	PVC 300 V #14
<b>Dimension</b>	W 2.5" 63.5 mm L 6.06" 153.92 mm H 2.2" 55.9 mm
<b>Weight</b>	3.12 lbs 50 oz



### Features

- Class 2 Dimmable LED DC Magnetic Transformer
- Encapsulated transformer in black powder coated NEMA3 enclosure
- Enclosure temperature will not exceed 70 Deg C @ 40 Deg C ambient
- Removable wiring compartment with 2 knockouts sized for 3/4" screw cable connectors
- Removable cover for the wiring compartment is secured in place by a screw
- Two auto-reset circuit breakers
- Controlled with low voltage dimmer
- ETL Listed
- CSA Listed
- Class 2
- UL standards 5085-1
- NEMA 3R Enclosure



the LED lighting source™

COMMERCIAL • LANDSCAPE • ARCHITECTURAL • RESIDENTIAL

15 Brownridge Rd. Unit 6, Halton Hills, ON L7G 0C6 • 905-487-8192 • 1-877-LED-2DAY • SGiLighting.com

Project: \_\_\_\_\_

Client: \_\_\_\_\_

Part #: POWER-36-24VDC-96D

Date: dd / mm / yyyy Qty: \_\_\_\_\_

INSTALLATION

# LED Power • 96 Watt 24VDC Dimmable

