



the LED lighting source™

COMMERCIAL • LANDSCAPE • ARCHITECTURAL • RESIDENTIAL

15 Brownridge Rd. Unit 6, Halton Hills, ON L7G 0C6 • 905-487-8192 • 1-877-LED-2DAY • SGILighting.com

Project: \_\_\_\_\_

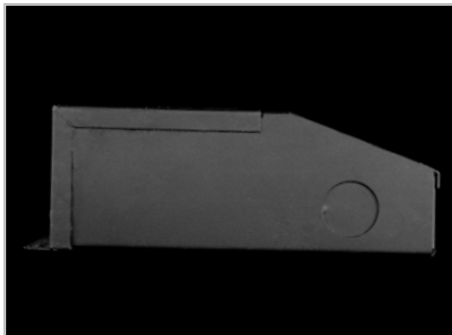
Client: \_\_\_\_\_

Part #: POWER-36-24VDC-60D

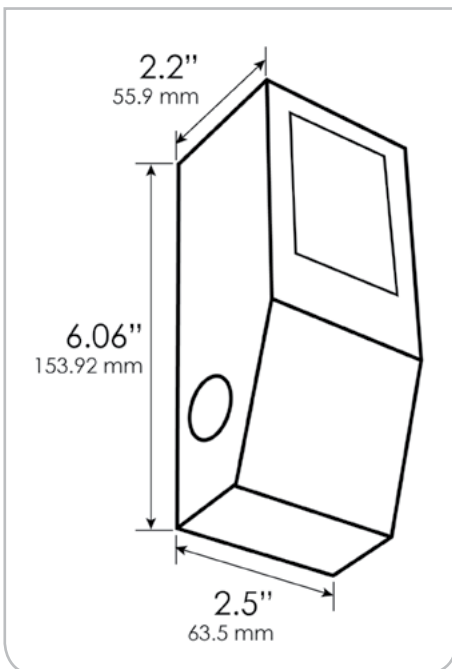
Date: dd / mm / yyyy Qty: \_\_\_\_\_

SPECIFICATION

## LED Power • 60 Watt 24 VDC Dimmable



<b>AC Input Voltage</b>	120V 60 Hz									
<b>DC Output Voltage</b>	21.8 VDC (at full load)									
<b>Input Current Full Load</b>	0.95 A									
<b>Max Load</b>	60W									
<b>Open Circuit Volts</b>	23.6 VDC									
<b>Output Current Full Load</b>	2.56 A									
<b>Efficiency</b>	84.00%									
<b>Leads Primary</b>	PVC 600 V #20									
<b>Leads Secondary</b>	PVC 300 V #14									
<b>Dimension</b> Width, Length, Height	<table border="1"> <tr> <td>W</td> <td>2.5"</td> <td>63.5 mm</td> </tr> <tr> <td>L</td> <td>6.06"</td> <td>153.92 mm</td> </tr> <tr> <td>H</td> <td>2.2"</td> <td>55.9 mm</td> </tr> </table>	W	2.5"	63.5 mm	L	6.06"	153.92 mm	H	2.2"	55.9 mm
W	2.5"	63.5 mm								
L	6.06"	153.92 mm								
H	2.2"	55.9 mm								
<b>Weight</b>	3.12 lbs 50 oz									



## Features

- Class 2 Dimmable LED DC Magnetic Transformer
- Encapsulated transformer in black powder coated NEMA3 enclosure
- Enclosure temperature will not exceed 70 Deg C @ 40 Deg C ambient
- Removable wiring compartment with 2 knockouts sized for 3/4" screw cable connectors
- Removable cover for the wiring compartment is secured in place by a screw
- Two auto-reset circuit breakers
- Controlled with low voltage dimmer
- ETL Listed
- CSA Listed
- Class 2
- UL standards 5085-1
- NEMA 3R Enclosure



the LED lighting source™

COMMERCIAL • LANDSCAPE • ARCHITECTURAL • RESIDENTIAL

15 Brownridge Rd. Unit 6, Halton Hills, ON L7G 0C6 • 905-487-8192 • 1-877-LED-2DAY • SGiLighting.com

Project: \_\_\_\_\_

Client: \_\_\_\_\_

Part #: POWER-36-24VDC-60D

Date: dd / mm / yyyy Qty: \_\_\_\_\_

INSTALLATION

# LED Power • 60 Watt 24 VDC Dimmable

