



the LED lighting source™

COMMERCIAL • LANDSCAPE • ARCHITECTURAL • RESIDENTIAL

15 Brownridge Rd. Unit 6, Halton Hills, ON L7G 0C6 • 905-487-8192 • 1-877-LED-2DAY • SGILighting.com

Project: \_\_\_\_\_

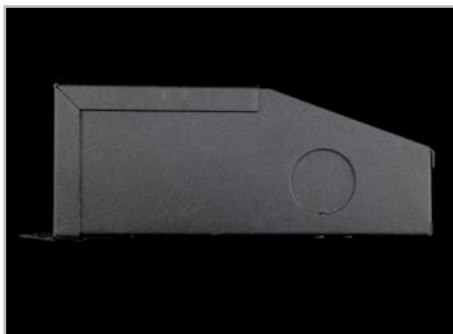
Client: \_\_\_\_\_

Part #: POWER-36-24VDC-40D

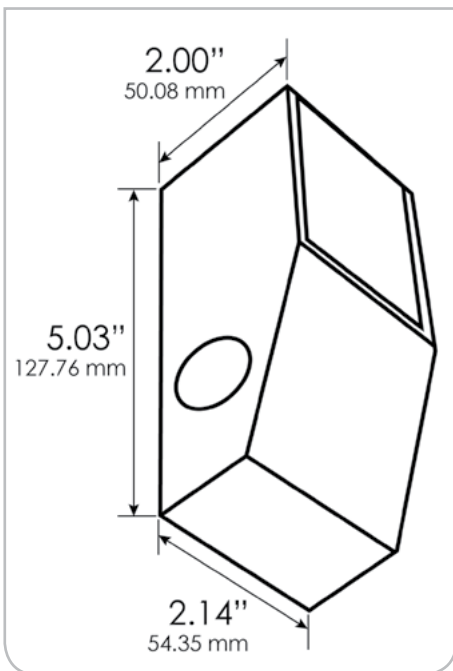
Date: dd / mm / yyyy Qty: \_\_\_\_\_

SPECIFICATION

## LED Power • 40 Watt 24VDC Dimmable



<b>AC Input Voltage</b>	120V 60 Hz
<b>DC Output Voltage</b>	21.1 VDC (at full load)
<b>Input Current Full Load</b>	0.41A
<b>Max Load</b>	40W
<b>Open Circuit Volts</b>	24.3 VDC
<b>Output Current Full Load</b>	1.72A
<b>Efficiency</b>	80.00%
<b>Leads Primary</b>	PVC 600 V #20
<b>Leads Secondary</b>	PVC 300 V #16
<b>Dimension</b>	W      2.14"      54.35 mm
Width, Length, Height	L      5.03"      127.76 mm
	H      2"          50.8 mm
<b>Weight</b>	2.19 lbs    35 oz



### Features

- Class 2 Dimmable LED DC Magnetic Transformer
- Encapsulated transformer in black powder coated NEMA3 enclosure
- Enclosure temperature will not exceed 70 Deg C @ 40 Deg C ambient
- Removable wiring compartment with 2 knockouts sized for 3/4" screw cable connectors
- Removable cover for the wiring compartment is secured in place by a screw
- Two auto-reset circuit breakers
- Controlled with low voltage dimmer
- ETL Listed
- CSA Listed
- UL standards 5085-1
- NEMA 3R Enclosure



the LED lighting source™

COMMERCIAL • LANDSCAPE • ARCHITECTURAL • RESIDENTIAL

15 Brownridge Rd. Unit 6, Halton Hills, ON L7G 0C6 • 905-487-8192 • 1-877-LED-2DAY • SGiLighting.com

Project: \_\_\_\_\_

Client: \_\_\_\_\_

Part #: POWER-36-24VDC-40D

Date: dd / mm / yyyy Qty: \_\_\_\_\_

INSTALLATION

# LED Power • 40 Watt 24VDC Dimmable

