



the LED lighting source™

COMMERCIAL • LANDSCAPE • ARCHITECTURAL • RESIDENTIAL

15 Brownridge Rd. Unit 6, Halton Hills, ON L7G 0C6 • 905-487-8192 • 1-877-LED-2DAY • SGiLighting.com

Project: _____

Client: _____

Part #: POWER-36-24VDC-300D

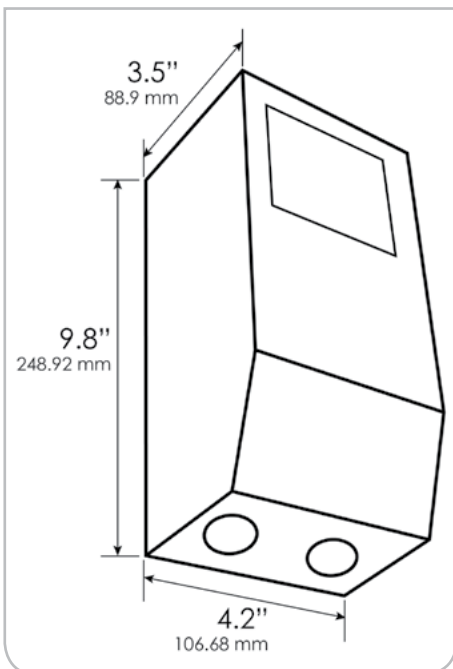
Date: dd / mm / yyyy Qty: _____

SPECIFICATION

LED Power • 300 Watt 24VDC Dimmable



AC Input Voltage	120V 60 Hz									
DC Output Voltage	22.1 VDC (at full load)									
Input Current Full Load	3.03 A									
Max Load	300W									
Open Circuit Volts	25.8 VDC									
Output Current Full Load	12.9 A									
Efficiency	84.00%									
Leads Primary	PVC 600 V #18									
Leads Secondary	PVC 300 V #12									
Dimension Width, Length, Height	<table border="0"> <tr> <td>W</td> <td>4.2"</td> <td>106.68 mm</td> </tr> <tr> <td>L</td> <td>9.8"</td> <td>248.92 mm</td> </tr> <tr> <td>H</td> <td>3.5"</td> <td>88.9 mm</td> </tr> </table>	W	4.2"	106.68 mm	L	9.8"	248.92 mm	H	3.5"	88.9 mm
W	4.2"	106.68 mm								
L	9.8"	248.92 mm								
H	3.5"	88.9 mm								
Weight	8.75 lbs 140 oz									



Features

- Dimmable LED DC Magnetic Transformer
- Encapsulated transformer in black powder coated metal enclosure
- Enclosure temperature will not exceed 70 Deg C @ 40 Deg C ambient
- Removable wiring compartment with 2 knockouts sized for 3/4" screw cable connectors
- Removable cover for the wiring compartment is secured in place by a screw
- Manual reset thermal circuit breaker on secondary side
- Controlled with magnetic low voltage dimmer
- ETL Listed
- CSA Listed
- UL standards 8750
- NEMA 3R Enclosure



the LED lighting source™

COMMERCIAL • LANDSCAPE • ARCHITECTURAL • RESIDENTIAL

15 Brownridge Rd. Unit 6, Halton Hills, ON L7G 0C6 • 905-487-8192 • 1-877-LED-2DAY • SGiLighting.com

Project: _____

Client: _____

Part #: POWER-36-24VDC-300D

Date: dd / mm / yyyy Qty: _____

INSTALLATION

LED Power • 300 Watt 24VDC Dimmable

