



the LED lighting source™

COMMERCIAL • LANDSCAPE • ARCHITECTURAL • RESIDENTIAL

15 Brownridge Rd. Unit 6, Halton Hills, ON L7G 0C6 • 905-487-8192 • 1-877-LED-2DAY • SGILighting.com

Project: _____

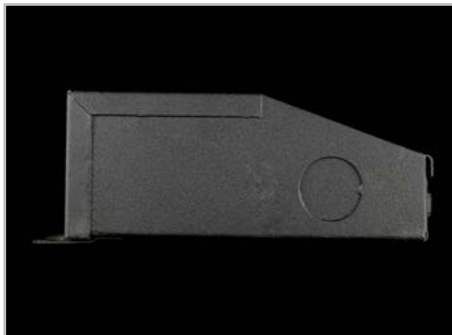
Client: _____

Part #: POWER-36-24VDC-20D

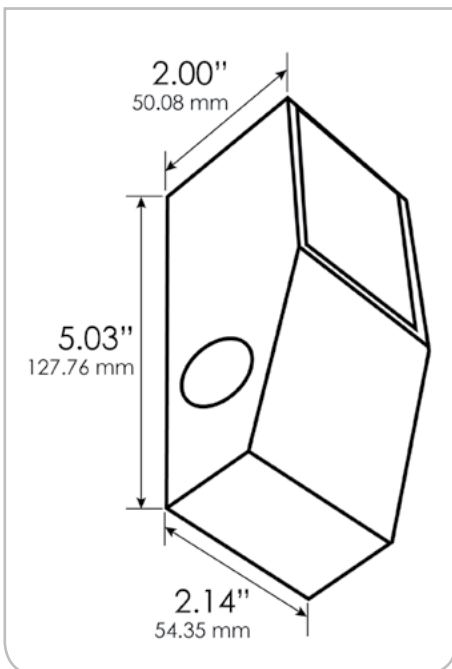
Date: dd / mm / yyyy Qty: _____

SPECIFICATION

LED Power • 20 Watt 24VDC Dimmable



AC Input Voltage	120V 60 Hz 277V (Optional) 240V 50 Hz (Optional)
DC Output Voltage	21.1.4 VDC (at full load)
Input Current Full Load	0.27 A
Max Load	20W
Open Circuit Volts	23.2 VDC
Output Current Full Load	.97 A
Efficiency	80.00%
Leads Primary	PVC 600 V #20
Leads Secondary	PVC 300 V #16
Dimension	W 2.14" 54.35 mm L 5.03" 127.76 mm H 2" 50.8 mm
Weight	2.19 lbs 35 oz



Features

- Class 2 Dimmable LED DC Magnetic Transformer
- Encapsulated transformer in black powder coated NEMA3 enclosure
- Enclosure temperature will not exceed 70 Deg C @ 40 Deg C ambient
- Removable wiring compartment with 2 knockouts sized for 3/4" screw cable connectors
- Removable cover for the wiring compartment is secured in place by a screw
- Two auto-reset circuit breakers
- Controlled with low voltage dimmer
- ETL Listed
- CSA Listed
- UL standards 5085-1
- NEMA 3R Enclosure



the LED lighting source™

COMMERCIAL • LANDSCAPE • ARCHITECTURAL • RESIDENTIAL

15 Brownridge Rd. Unit 6, Halton Hills, ON L7G 0C6 • 905-487-8192 • 1-877-LED-2DAY • SGiLighting.com

Project: _____

Client: _____

Part #: POWER-36-??VDC-??D

Date: dd / mm / yyyy Qty: _____

INSTALLATION

LED Power • 20 Watt 24VDC Dimmable

