



the LED lighting source™

COMMERCIAL • LANDSCAPE • ARCHITECTURAL • RESIDENTIAL

15 Brownridge Rd. Unit 6, Halton Hills, ON L7G 0C6 • 905-487-8192 • 1-877-LED-2DAY • SGIlighting.com

Project: _____

Client: _____

Part #: POWER-36-24VDC-150D

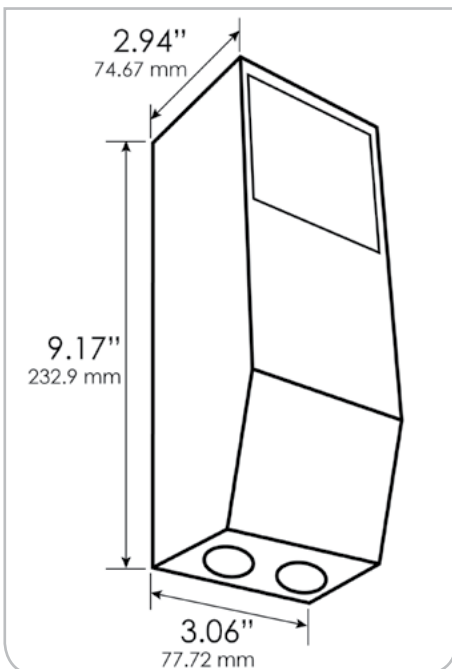
Date: dd / mm / yyyy Qty: _____

SPECIFICATION

LED Power • 150 Watt 24VDC Dimmable



AC Input Voltage	120V 60 Hz 277V (Optional) 240V 50 Hz (Optional)
DC Output Voltage	23 VDC (at full load)
Input Current Full Load	1.27 A
Max Load	150W
Open Circuit Volts	25 VDC
Output Current Full Load	6.25 A
Efficiency	87.50%
Leads Primary	PVC 600 V #18
Leads Secondary	PVC 300 V #12
Dimension	W 3.06" 77.72 mm L 9.17" 232.9 mm H 2.94" 74.67 mm
Weight	5.5 lbs 88 oz



Features

- Dimmable LED DC Magnetic Transformer
- Encapsulated transformer in black powder coated NEMA3 enclosure
- Enclosure temperature will not exceed 70 Deg C @ 40 Deg C ambient
- Removable wiring compartment with 2 knockouts sized for 3/4" screw cable connectors
- Removable cover for the wiring compartment is secured in place by a screw
- Manual reset thermal circuit breaker on secondary side
- Controlled with low voltage dimmer
- ETL Listed
- CSA Listed
- UL standards 5085-1
- NEMA 3R Enclosure



the LED lighting source™

COMMERCIAL • LANDSCAPE • ARCHITECTURAL • RESIDENTIAL

15 Brownridge Rd. Unit 6, Halton Hills, ON L7G 0C6 • 905-487-8192 • 1-877-LED-2DAY • SGiLighting.com

Project: _____

Client: _____

Part #: POWER-36-24VDC-150D

Date: dd / mm / yyyy Qty: _____

INSTALLATION

LED Power • 150 Watt 24VDC Dimmable

