



the LED lighting source™

COMMERCIAL • LANDSCAPE • ARCHITECTURAL • RESIDENTIAL

15 Brownridge Rd. Unit 6, Halton Hills, ON L7G 0C6 • 905-487-8192 • 1-877-LED-2DAY • SGILighting.com

Project: _____

Client: _____

Part #: POWER-36-12VDC-60D

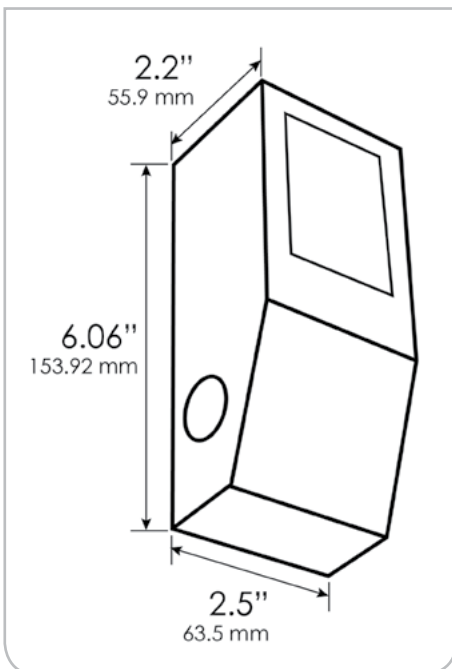
Date: dd / mm / yyyy Qty: _____

SPECIFICATION

LED Power • 60 Watt 12VDC Dimmable



AC Input Voltage	120V 60 Hz
DC Output Voltage	11.5 VDC (at full load)
Input Current Full Load	0.54 A
Max Load	60W
Open Circuit Volts	12.5 VDC
Output Current Full Load	4.8A
Efficiency	89.20%
Leads Primary	PVC 600 V #20
Leads Secondary	PVC 300 V #14
Dimension	W 2.5" 63.5 mm
Width, Length, Height	L 6.06" 153.92 mm
	H 2.2" 55.9 mm
Weight	3.12 lbs 50 oz



Features

- Class 2 Dimmable LED DC Magnetic Transformer
- Encapsulated transformer in black powder coated NEMA3 enclosure
- Enclosure temperature will not exceed 70 Deg C @ 40 Deg C ambient
- Removable wiring compartment with 2 knockouts sized for 3/4" screw cable connectors
- Removable cover for the wiring compartment is secured in place by a screw
- Two auto-reset circuit breakers
- Controlled with low voltage dimmer
- ETL Listed
- CSA Listed
- Class 2
- UL standards 5085-1
- NEMA 3R Enclosure



the LED lighting source™

COMMERCIAL • LANDSCAPE • ARCHITECTURAL • RESIDENTIAL

15 Brownridge Rd. Unit 6, Halton Hills, ON L7G 0C6 • 905-487-8192 • 1-877-LED-2DAY • SGiLighting.com

Project: _____

Client: _____

Part #: POWER-36-12VDC-60D

Date: dd / mm / yyyy Qty: _____

INSTALLATION

LED Power • 60 Watt 12VDC Dimmable

