



the LED lighting source™

COMMERCIAL • LANDSCAPE • ARCHITECTURAL • RESIDENTIAL

15 Brownridge Rd. Unit 6, Halton Hills, ON L7G 0C6 • 905-487-8192 • 1-877-LED-2DAY • SGiLighting.com

Project: _____

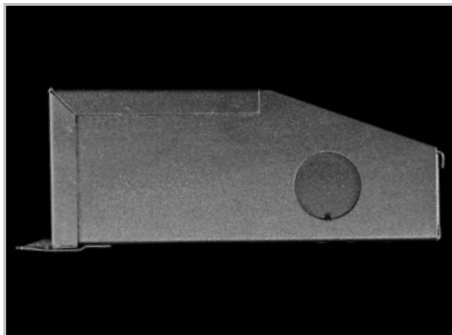
Client: _____

Part #: POWER-36-12VDC-40D

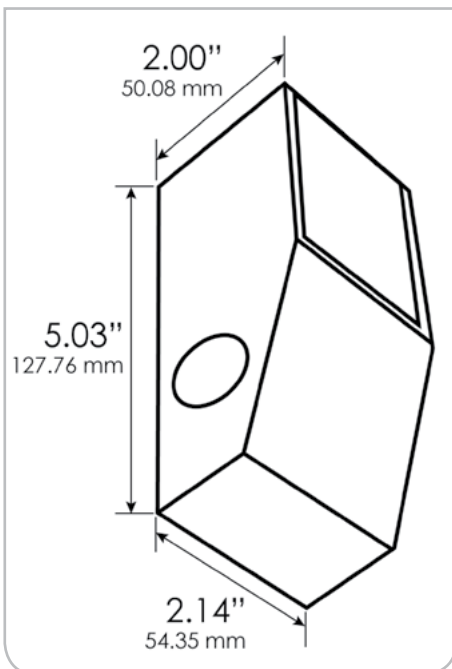
Date: dd / mm / yyyy Qty: _____

SPECIFICATION

LED Power • 40 Watt 12VDC Dimmable



AC Input Voltage	120V 60 Hz
DC Output Voltage	11.4 VDC (at full load)
Input Current Full Load	0.51A
Max Load	40W
Open Circuit Volts	12.5 VDC
Output Current Full Load	3.96A
Efficiency	87.50%
Leads Primary	PVC 600 V #20
Leads Secondary	PVC 300 V #16
Dimension	W 2.14" 54.35 mm
Width, Length, Height	L 5.03" 127.76 mm
	H 2" 50.8 mm
Weight	2.2 lbs 35.2 oz



Features

- Class 2 Dimmable LED DC Magnetic Transformer
- Encapsulated transformer in black powder coated NEMA3 enclosure
- Enclosure temperature will not exceed 70 Deg C @ 40 Deg C ambient
- Removable wiring compartment with 2 knockouts sized for 3/4" screw cable connectors
- Removable cover for the wiring compartment is secured in place by a screw
- Two auto-reset breakers (primary and secondary side)
- Controlled with magnetic low voltage TRIAC dimmer
- ETL Listed
- CSA Listed
- UL standards 5085-1
- NEMA 3R Enclosure



the LED lighting source™

COMMERCIAL • LANDSCAPE • ARCHITECTURAL • RESIDENTIAL

15 Brownridge Rd. Unit 6, Halton Hills, ON L7G 0C6 • 905-487-8192 • 1-877-LED-2DAY • SGiLighting.com

Project: _____

Client: _____

Part #: POWER-36-12VDC-40D

Date: dd / mm / yyyy Qty: _____

INSTALLATION

LED Power • 40 Watt 12VDC Dimmable

